

WOOD INSERTS

I1200 / I2400 / I3100 / H2100

FAN INSTALLATION (120 V FAN)

- 1) Align the fan support with the offset clip on the bottom of the ashlip.
- 2) Slide the supports into the clips. The tension holding the clips in place may be adjusted by increasing or decreasing the offset spacing of the clips.
- 3) Ensure that the power cord is not in contact with any hot stove surfaces.

- 4) Push the Regency logo plate into the two holes in the middle of the fan.

FAN OPERATION

AUTOMATIC: To operate the fan automatically, push the bottom switch on the side of the fan housing to "AUTO" and the top switch to either "HIGH" or "LOW" for fan speed.

This will allow the fan to turn on as the insert has come up to operating temperature. It will also shut the fan system off after the fire has gone out and the unit cooled to below a useful heat output range.

If the fan cycles on and off continuously the thermo switch sensor is not making contact with the stove body. Remove the fan, bend the bracket closer to the stove and re-install the fan.

MANUAL: To manually operate the fan system push the bottom switch to "MAN" and the top switch to either "HIGH" or "LOW". This will bypass the sensing device and allow full control of the fan.

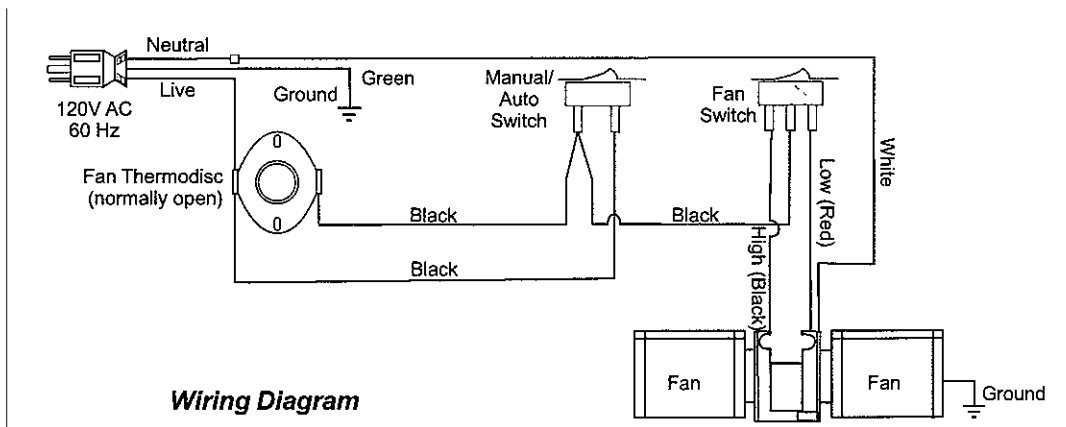
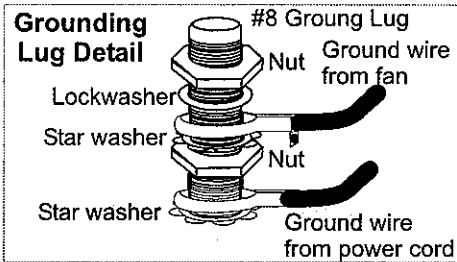
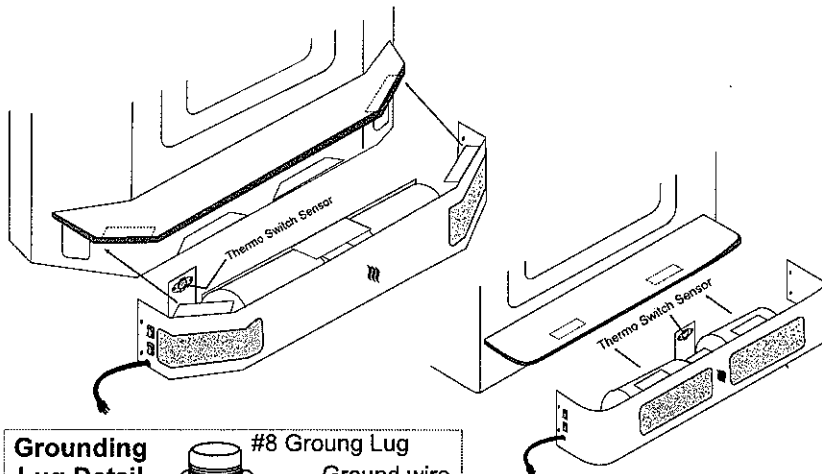
Switching from "AUTO" to "MAN" or "HIGH" to "LOW" may be done anytime.

NOTE: Do not turn the fan ON until your insert has reached operating temperature or at least 30 minutes after starting the fire.

IMPORTANT: Disconnect power supply before servicing.

CAUTION: Label all wires prior to disconnection when servicing controls. Wiring errors can cause improper and dangerous operation.

WARNING:
Electrical Grounding Instructions
This appliance is equipped with a three pronged (grounding) plug for your protection against shock hazard and should be plugged directly into a properly grounded three-prong receptacle. Do not cut or remove the grounding prong from this plug.



Wiring Diagram