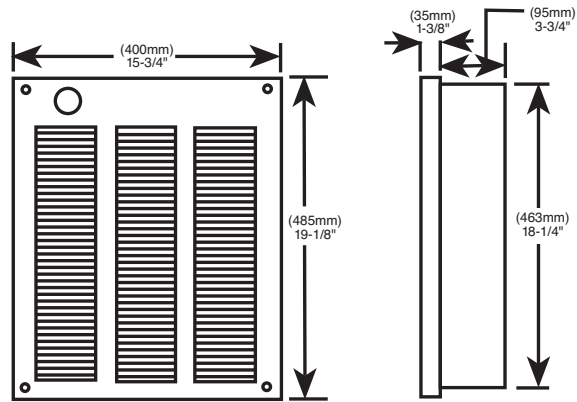




Marley
Engineered Products

**“K” Series
(Model A)
Fan Forced
Wall Heaters**



FILE #E21609

Installation & Maintenance Instructions

Dear Owner,

Congratulations! Thank you for purchasing this new heater manufactured by Marley Engineered Products. You have made a wise investment selecting the highest quality product in the heating industry. Please carefully read the installation and maintenance directions shown in this manual. You should enjoy years of efficient heating comfort with this product from Marley Engineered Products... the industry's leader in design, manufacturing, quality and service.

*... The Employees of
Marley Engineered Products*

WARNING

Read Carefully - These instructions are written to help you prevent difficulties that might arise during installation of heaters. Studying the instructions first may save you considerable time and money later. Observe the following procedures and cut your installation time to a minimum.

To reduce risk of fire or electric shock:

1. To prevent electrical shock, disconnect all power coming to heater at main service panel before wiring or servicing.
2. All wiring must be in accordance with the National and Local Electrical Codes and the heater must be grounded as a precaution against possible electric shock.
3. Verify the power supply voltage coming to heater matches the ratings printed on the heater nameplate before energizing.
4. This heater is hot when in use. To avoid burns, do not let bare skin touch hot surfaces.

5. Do not insert or allow foreign objects to enter any ventilation or exhaust opening as this may cause an electric shock, fire, or damage to the heater.
6. To prevent a possible fire, do not block air intakes or exhaust in any manner. Keep combustible materials, such as crates, drapes, etc., away from heater. Do not install behind doors, furniture, towels, or boxes.
7. A heater has hot and arcing (sparking) parts inside. Do not use it in areas where gasoline, paint, or flammable liquids are used or stored.
8. Use this heater only as described in this manual. Any other use not recommended by the manufacturer may cause fire, electric shock, or injury to persons.
9. This heater is not approved for use in corrosive atmospheres such as marine, green house, or chemical storage areas.

SAVE THESE INSTRUCTIONS

IMPORTANT

WARNING

DO NOT INSTALL HEATER UPSIDE DOWN OR SIDEWAYS.
DO NOT USE HEATER WITHOUT GRILLE.

CAUTION

FOR WALL MOUNTING ONLY. **DO NOT** INSTALL HEATER CLOSER THAN 8" (203 mm) TO THE FLOOR OR ANY ADJACENT WALL SURFACE. **DO NOT** INSTALL CLOSER THAN 36" (915 mm) TO THE CEILING.

Installation of Recessed Back Box in New Construction

1. Mounting Back Box (See Figure 1).
 - a. Place the back box between two 16" (406mm) center-to-center wall studs at the desired mounting height but no closer than 8" (203mm) to adjacent wall or floor.

Note: If wall studs are spaced greater than 16" on center, additional framing supports may be necessary.

 - b. Align back box such that the bottom and sides will be flush with finished wall surface (top flange of back box should protrude approximately 1/2" (13mm) from finished wall surface).
 - c. Secure the back box in position with wood screws or nails as shown in Figure 1.

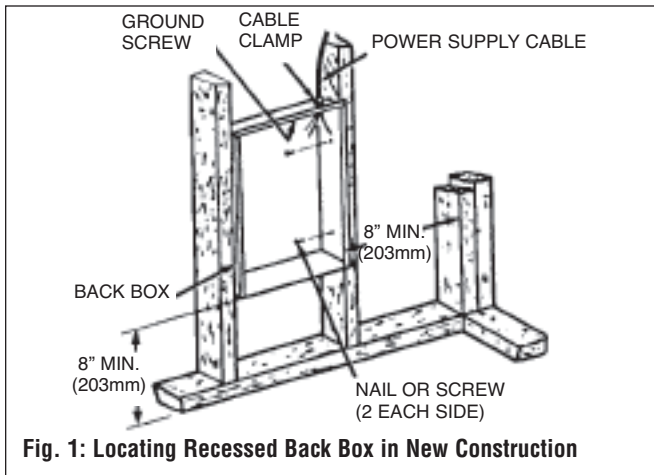


Fig. 1: Locating Recessed Back Box in New Construction

2. Power Supply Wiring (See Figure 1).

NOTE: Wire Compartment Volume - 119in³ (1950cm³).

 - a. Run a power supply cable into the knockout area in the upper right hand corner of the back box. Refer to Figure 1.
 - b. Install a cable clamp in the "knockout" in the top of the back box.
 - c. Insert power supply cable through cable clamp, allowing at least 6" (152mm) of leads to extend inside the back box.
 - d. Ground the back box by connecting the supply ground leadwire to the green ground screw located in the inside top of the back box.

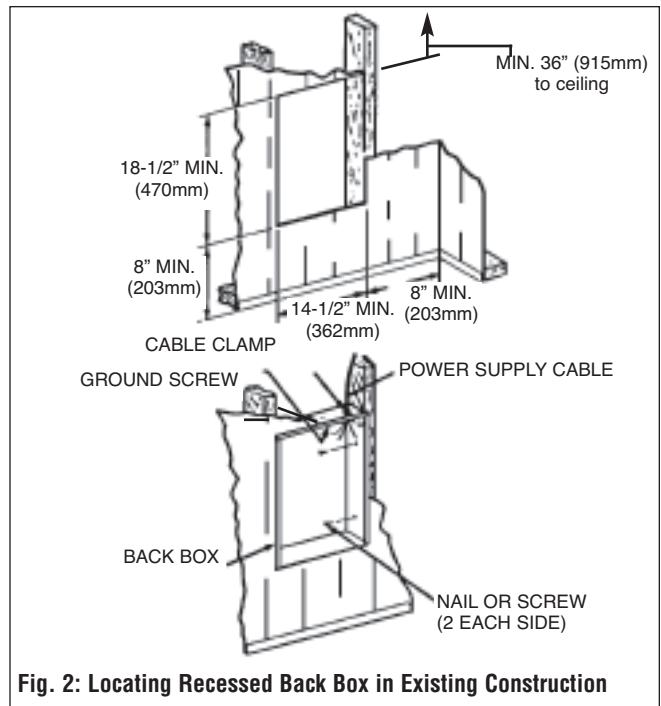


Fig. 2: Locating Recessed Back Box in Existing Construction

Installation of Recessed Back box in Existing Construction

1. Provide a wall opening 14-1/2" (362mm) wide x 18-1/2" (470mm) high at the desired mounting height, but no closer than 8" (203mm) to any adjacent wall or floor and 36" (915mm) to ceiling. (See Figure 2.)

NOTE: Locate so at least one side of the opening is at stud.

2. Power Supply Wiring

NOTE: (Wiring Compartment Volume - 119in³ (1950cm³).

- a. Run a power supply cable into the area above the top of the wall opening.
 - b. Install a cable clamp in the knockout in the top of back box.
 - c. Insert power supply cable through cable clamp, allowing at least 6" (152mm) of cable length to remain inside the back box to facilitate connections.
 - d. Ground the back box by connecting the supply ground leadwire to the green ground screw located in the inside top of the back box.
3. Mounting Back Box
 - a. Place the back box into wall opening flush with finished wall surface on bottom and sides of box. (Top flange of back box should protrude approximately 1/2" (13mm) from finished wall surface).
 - b. Secure the back box in place with wood screws or nails.

NOTE: For correct wire sizing, please refer to the National Electrical Code, Section 310. Only use copper wire rated at least 75° C Do not use aluminum wire with this unit.

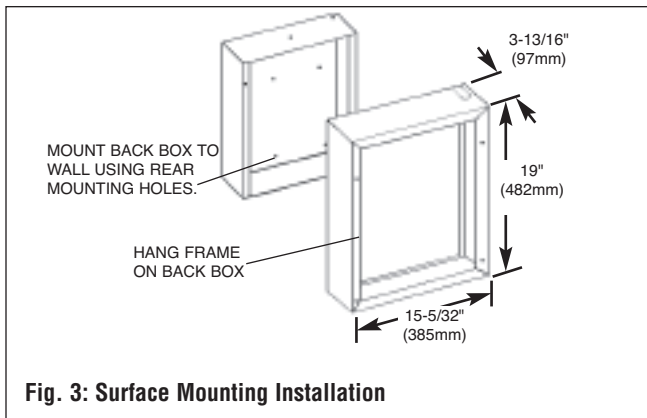


Fig. 3: Surface Mounting Installation

Installation of Back Box With Optional Surface-Mounting Frame (See Figure 3).

1. Secure back box to wall (with knockouts in upper right hand corner) using screws and anchors.
2. Hang the surface-mounting frame on the back box. Ensure that the back edge of the surface-mounting frame is flush against the wall.

NOTE: If heater is located in a high traffic area where it may be subjected to vandalism or abuse, take extreme care to see that the back box is firmly attached to the wall.

3. Power Supply Wiring

NOTE: Wiring Compartment Volume - 119in³ (1950cm³).

- a. Run a power supply cable into the area of the upper right corner of the mounting frame.

NOTE: If the wiring is to run through the wall, cut a hole in the area of the top of the back box. Run the supply wire through this hole. Then remove the knockout from the top of the box and proceed to step c.

- b. Remove the knockout on the top side of the frame.
- c. Feed the power supply cable through the frame allowing 6" (152mm) of lead to remain inside the frame
- d. Secure the power supply cable to the back box (using cable clamps, connector, or other suitable strain relief) allowing 6" (152mm) of lead to remain inside the back box.
- e. Ground the back box by connecting the supply ground leadwire to the green ground screw located in the inside top of the back box.

Installation of Heater Assembly and Grille

After back box is completely installed and no further construction dirt is expected, clean debris from back box, remove heater assembly from its carton, then refer to Figure 4 and proceed as follows:

1. Insert the heater assembly into back box, placing the four mounting holes (with key-hole slots) over the screws in the back box. Tighten all screws securely.
2. If surface-mounting frame is used, ensure that the frame is even with all four heater assembly tabs before tightening screws.
3. Connect the power lead wires (field wiring) to the lead wires from the heater assembly. See wiring diagram in next column.
4. Turn thermostat to the extreme counterclockwise position.
5. Mount the grille using four (4) long screws provided. The screws thread into holes located in the side flanges of the back box.
6. Push thermostat knob onto thermostat shaft.

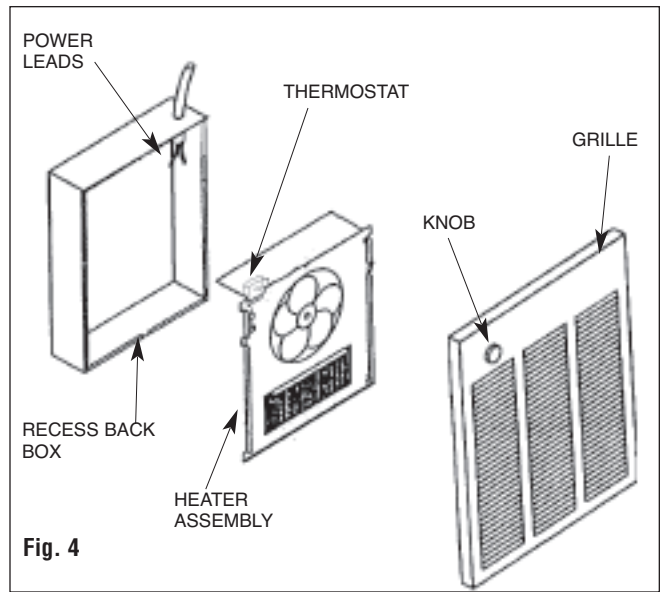
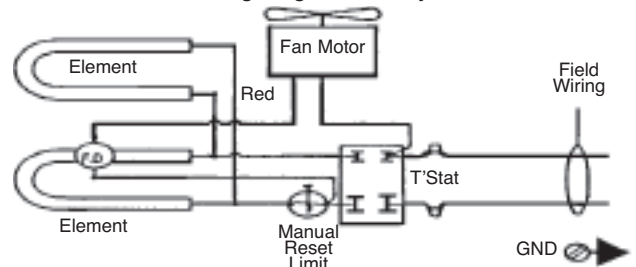


Fig. 4

WIRING DIAGRAMS (SINGLE PHASE)

CAUTION ⚠

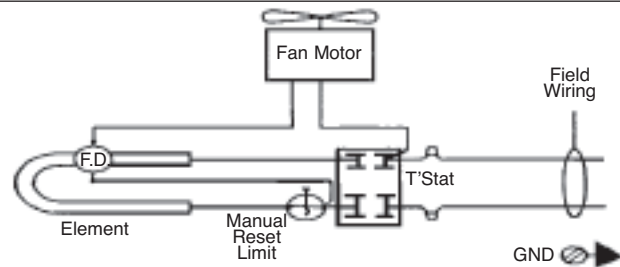
To assure proper operation of fan, thermostat must not cycle fan on and off. Follow wiring diagram exactly.



1500, 4800, 4000, & 3000 WATT HEATERS

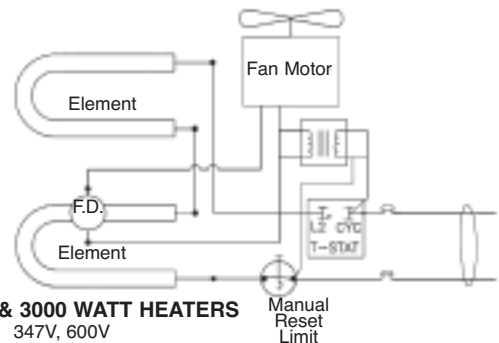
120V, 208V, 240V, OR 277V (Full wattage heaters can be converted to half wattage by removing the red jumper wire connecting the top and bottom element terminals.)

NOTE: Conversion not applicable on K151.



2000 & 1500 WATT HEATERS

208V, 240V, OR 277V



4800, 4000, & 3000 WATT HEATERS

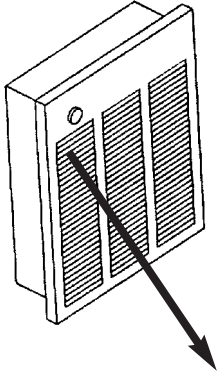
347V, 600V

Operation



1. Turn power to heater on at main switch panel. Rotate the thermostat knob fully clockwise. This should energize the heating elements and the fan, causing air to flow from the air discharge at the openings in the bottom of the grille.
2. After the discharge air has become warm, rotate the thermostat knob to the desired position to obtain room comfort.

NOTE: For best results, the heater should be left ON constantly during the heating season since the thermostat, when properly set, will maintain the desired temperature.

IMPORTANT INFORMATION




MODEL NO. **K404A** DATE CODE: **0595**
FAN FORCED WALL HEATER
APPAREIL DE CHAUFFAGE MURAL À AIR POUSSÉ
VOLTS AC 240/208 60HZ WATTS 4000 PHASE 1
MUST BE USED WITH BACK BOX
DO NOT OPERATE WITHOUT FRONT COVER IN PLACE.
DOIT ÊTRE UTILISÉ AVEC BOÎTIER ARRIÈRE AWH-BB
NE PAS UTILISER SI LE COUVERCLE AVANT N'EST PAS EN PLACE.
MARLEY ENGINEERED PRODUCTS
BENNETTSVILLE, SC 29512 4104-2093-028

 
774G LISTED
ROOM HEATER

Maintenance

TO RESET MANUAL RESET LIMIT

Your heater is equipped with a manual reset safety thermal limit control that will automatically turn the heater off to prevent a fire if the heater overheats. This control is located on the fan panel assembly between the element and fan blade and marked "reset". The red reset button can be seen through the front grille when the heater is installed. To reset,

CAUTION 

OPERATION OF THE MANUAL RESET SAFETY THERMAL LIMIT CONTROL IS AN INDICATION THAT THE HEATER HAS BEEN SUBJECTED TO SOME ABNORMAL CONDITION. IT IS RECOMMENDED THAT THE HEATER BE CHECKED BY A REPUTABLE ELECTRICIAN OR REPAIR SERVICE TO ENSURE THE HEATER HAS NOT BEEN DAMAGED.

allow the heater to cool, then push the red button that is visible through the hole in the fan panel. The heater should immediately return to normal operation.

The heater should be cleaned annually to remove dust and other foreign material which has collected during the heating season. This is a simple operation when performed as follows:

1. Turn off the electric power at main line switch (or remove all fuses) to disconnect electric power from the heater. **THIS IS IMPORTANT.**
2. Remove the grille (Fig. 4).
3. With a vacuum cleaner nozzle or dust cloth, remove dust and other foreign material.
4. After cleaning reinstall the grille.

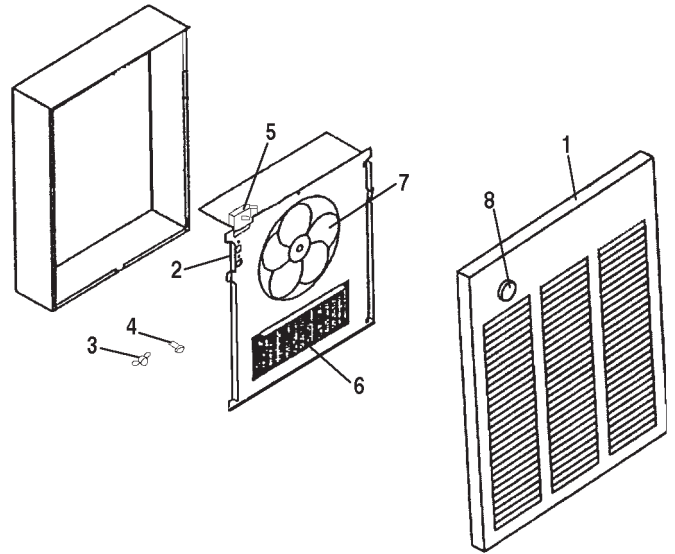
CAUTION 

DO NOT USE WATER OR DAMP CLOTH FOR CLEANING AND DO NOT DISTURB THE HEATING ELEMENT.

5. Turn on the main line switch (or replace fuses) to restore power to the heater. The heater is now ready for another season of operation.

Replacement Parts

Key No.	Description	Part Number
1	Front Cover	1402-2239-000
2	Motor: 208V 240V 120V	3900-2010-000 3900-2010-000 3900-2010-003
3	Manual Limit	4520-2013-000
4	Fan Delay	410074000
5	Thermostat	5813-2027-000
6	Element: 208V/2000W 240V/2000W 277V/2000W 277V/3000W 208V/4000W 240V/4000W 240V/3000W 240V/4800W 277V/4800W 120V/1500W	302015001 302015002 302015003 302012006 302012007 302012008 302012009 302012010 302012011 302012827
7	Fan Blade	490030103
8	Parts Bag	1205-2070-001



LIMITED WARRANTY

All products manufactured by Marley Engineered Products are warranted against defects in workmanship and materials for one year from date of installation, except heating elements which are warranted against defects in workmanship and materials for five years from date of installation. This warranty does not apply to damage from accident, misuse, or alteration; nor where the connected voltage is more than 5% above the nameplate voltage; nor to equipment improperly installed or wired or maintained in violation of the product's installation instructions. All claims for warranty work must be accompanied by proof of the date of installation.

The customer shall be responsible for all costs incurred in the removal or reinstallation of products, including labor costs, and shipping costs incurred to return products to Marley Engineered Products Service Center. Within the limitations of this warranty, inoperative units should be returned to the nearest Marley authorized service center or the Marley Engineered Products Center, and we will repair or replace, at our option, at no charge to you with return freight paid by Marley. It is agreed that such repair or replacement is the exclusive remedy available from Marley Engineered Products.

THE ABOVE WARRANTIES ARE IN LIEU OF ALL OTHER WARRANTIES EXPRESSED OR IMPLIED. AND ALL IMPLIED WARRANTIES OF MERCHANTABILITY AND FITNESS FOR A PARTICULAR PURPOSE WHICH EXCEED THE AFORESAID EXPRESSED WARRANTIES ARE HEREBY DISCLAIMED AND EXCLUDED FROM THIS AGREEMENT. MARLEY ENGINEERED PRODUCTS SHALL NOT BE LIABLE FOR CONSEQUENTIAL DAMAGES ARISING WITH RESPECT TO THE PRODUCT, WHETHER BASED UPON NEGLIGENCE, TORT, STRICT LIABILITY, OR CONTRACT.

Some states do allow the exclusion or limitation of incidental or consequential damages, so the above exclusion or limitation may not apply to you. This warranty gives you specific legal rights, and you may also have other rights which vary from state to state.

For the address of your nearest authorized service center, contact Marley Engineered Products in Bennettsville, SC, at 1-800-642-4328. Merchandise returned to the factory must be accompanied by a return authorization and service identification tag, both available from Marley Engineered Products. When requesting return authorization, include all catalog numbers shown on the products.

HOW TO OBTAIN WARRANTY SERVICE AND WARRANTY PARTS PLUS GENERAL INFORMATION

- | | |
|--------------------------------|--------------------------|
| 1. Warranty Service or Parts | 1-800-642-4328 |
| 2. Purchase Replacement Parts | 1-800-654-3545 |
| 3. General Product Information | www.marleymep.com |

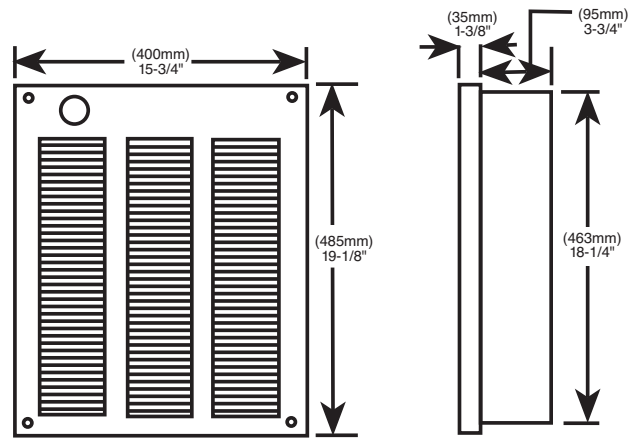
Note: When obtaining service always have the following:

1. Model number of the product
2. Date of manufacture
3. Part number or description



Marley
Engineered Products

470 Beauty Spot Rd. East
Bennettsville, SC 29512 USA



Calentador de Pared de Tiro Forzado de Serie "K" Modelo A



EXPEDIENTE NO E21609

Instrucciones de Instalación y Mantenimiento

Estimado propietario:

¡Felicitaciones! Gracias por comprar este nuevo calentador fabricado por una división de Marley Engineered Products. Usted ha efectuado una sabia inversión al seleccionar el producto de la más alta calidad en la industria de calefacción. Por favor lea cuidadosamente las instrucciones de instalación y mantenimiento indicadas en este manual. Usted debería gozar de años de calefacción eficiente con este producto de Marley Engineered Products...el líder de la industria en diseño, fabricación, calidad y servicio.

*... Los empleados de
Marley Engineered Products*

ADVERTENCIA

Lea cuidadosamente - Estas instrucciones están escritas para ayudarle a prevenir dificultades que podrían surgir durante la instalación de los calentadores. El estudiar primero las instrucciones puede ahorrarle un tiempo considerable y dinero después. Observe los procedimientos siguientes, y reduzca a un mínimo su tiempo de instalación.

Para reducir el riesgo de choque eléctrico:

1. Antes de cablear o prestar servicio y para prevenir el choque eléctrico, desconecte la potencia entrante al calentador por el panel principal de servicio.
2. Todo el cableado debe conformar con los códigos eléctricos nacionales y locales y el calentador debe estar conectado a tierra como precaución contra un choque eléctrico posible.
3. Antes de activar, verifique que el voltaje del suministro de potencia entrante al calentador corresponda a las clasificaciones principales impresas en la placa de nombre.
4. Este calentador está caliente durante el uso. Para evitar quemaduras, no permita que la piel expuesta toque las superficies calientes.
5. No inserte ni permita que objetos extraños entren a ninguna apertura de ventilación o escape ya que esto puede causar un choque eléctrico, incendio o daños al calentador.
6. No bloquee de ninguna manera las tomas de aire o los escapes, para prevenir un posible incendio. Mantenga los materiales combustibles, tales como cajas de madera, cortinas, etc, alejados del calentador. No instale detrás de puertas, muebles, tohalleros, o cajas.
7. Un calentador tiene adentro piezas calientes y productoras de arcos eléctricos o de chispas. No use en áreas donde estén almacenados gasolina, pintura o líquidos inflamables.
8. Use este calentador sólo de la manera descrita en este manual. Cualquier otro uso no recomendado por el fabricante puede causar incendio, choque eléctrico, o lesiones a las personas.
9. Este calentador no está aprobado para usar en atmósferas corrosivas tales como de mar, invernaderos o áreas de almacenamiento de productos químicos.

GUARDE ESTA INSTRUCCIONES

IMPORTANTE



ADVERTENCIA

**NO INSTALE EL CALENTADOR INVERTIDO O DE COSTADO.
NO USE EL CALENTADOR SIN LA REJILLA.**

PRECAUCION



PARA MONTAJE DE PARED SOLAMENTE. **NO INSTALE EL CALENTADOR MAS CERCA QUE 8" (203 mm) DEL PISO O DE CUALQUIER SUPERFICIE ADYACENTE A LA PARED. NO INSTALE MAS CERCA QUE 36" (915mm) DEL TEHCO.**

Instalación de la caja posterior empotrada en nueva construcción

- Montaje de la caja posterior (Vea la Figura 1).
 - Coloque la caja posterior entre dos pernos prisioneros de pared a 16" (406 MM) entre centros a la altura deseada de montaje pero no más cercanos que 8" (203mm) a la pared adyacente o al piso.

Nota: Si los travesaños de la pared están espaciados a más de 406 mm (16") entre centros, puede que se necesiten soportes de armazón adicionales.

- Alinee la caja posterior de tal manera que el fondo y los lados estarán al ras con la superficie acabada de la pared (la brida superior de la caja posterior debe sobresalir 1/2" aproximadamente (13mm) de la superficie acabada de la pared).
- Asegure la caja posterior en posición con tornillos o clavos de madera según se muestra en la Figura 1.

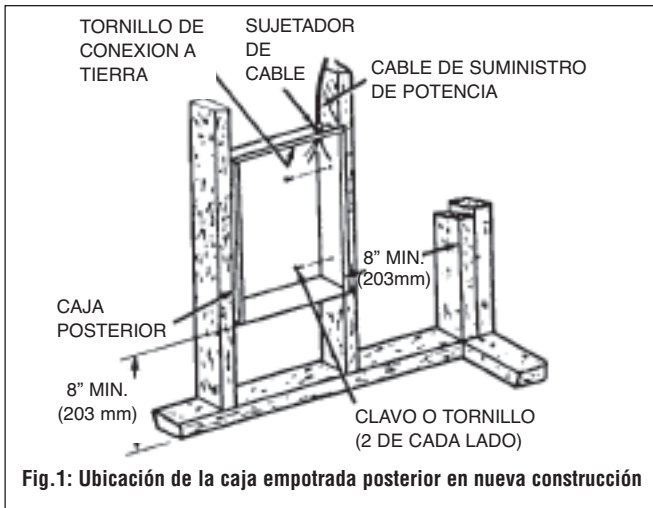


Fig.1: Ubicación de la caja empotrada posterior en nueva construcción

- Cableado de suministro de potencia (Vea la Figura 1)
NOTA: Volumen del compartimiento de conductores - 119 pulg.3 (1950cm³).
 - Tienda un cable de suministro de potencia dentro del área del orificio ciego en la esquina superior derecha de la caja posterior.
 - Instale un sujetador de cable en el "orificio ciego" en el tope de la caja posterior.
 - Inserte el cable de suministro de potencia a través del sujetador del cable, permitiendo que por lo menos 6" (152mm) de guías se extiendan dentro de la caja posterior.
 - Conecte a tierra la caja posterior conectando el conductor guía de suministro a tierra al tornillo verde de conexión a tierra ubicado en el tope interior de la caja posterior.

Instalación de la caja empotrada posterior en construcción existente

- Provea una abertura de pared de 14-1/2" (362mm) de ancho por 18-1/2" (470mm) de alto a la altura deseada de montaje, pero no más cerca que 8" (203mm) a cualquier pared adyacente ó piso y 36" (915mm) al cieloraso. (Vea la Figura 2)
Nota: Elija la ubicación de modo que al menos un lado de la abertura coincida con un travesaño de la pared.

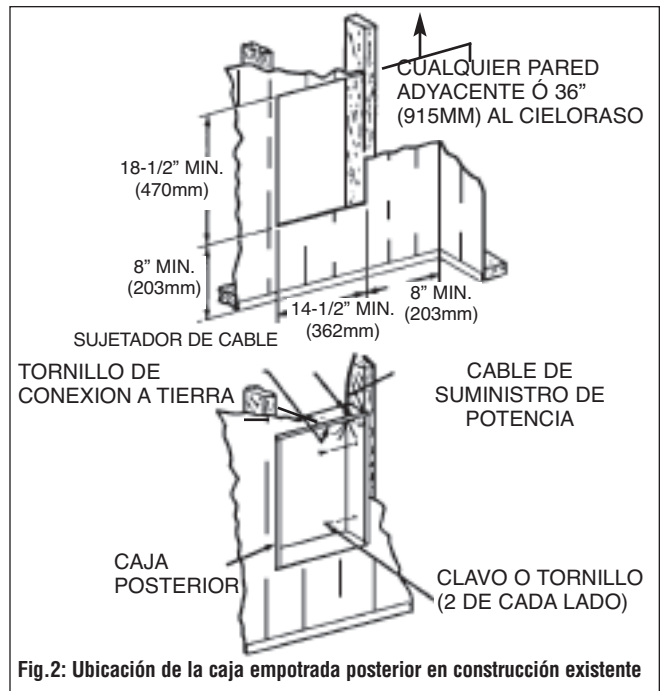


Fig.2: Ubicación de la caja empotrada posterior en construcción existente

- Cableado de suministro de potencia
NOTA: Volumen del compartimiento de conductores - 119 pulg.3 (1950 cm³).
 - Tienda un cable de suministro de potencia dentro del área sobre el tope de la abertura de la pared.
 - Instale un sujetador de cable en el orificio ciego en el tope de la caja posterior.
 - Inserte el cable de suministro de potencia a través del sujetador del cable, permitiendo por lo menos 6" (152mm) de guías permaneciendo dentro de la caja posterior para facilitar las conexiones.
 - Conecte a tierra la caja posterior conectando el conductor guía de suministro a tierra al tornillo verde de conexión a tierra ubicado en el tope interior de la caja posterior.
 - Montaje de la caja posterior
 - Coloque la caja posterior dentro de la abertura de pared al ras con la superficie acabada de pared y con los lados de la caja. (La brida superior de la caja posterior debe sobresalir 1/2"(13mm) aproximadamente desde la superficie acabada de la pared).
 - Asegure la caja posterior en su lugar con tornillos o clavos para madera.
- NOTA:** Para el apresto correcto del alambre, refiera por favor al código eléctrico nacional, sección 310. Solamente el uso por lo menos 75° clasificado el alambre de cobre C no utiliza el alambre del alluminum con esta unidad.

Instalación de la caja posterior con marco de montaje de superficie (Vea la Figura 3).

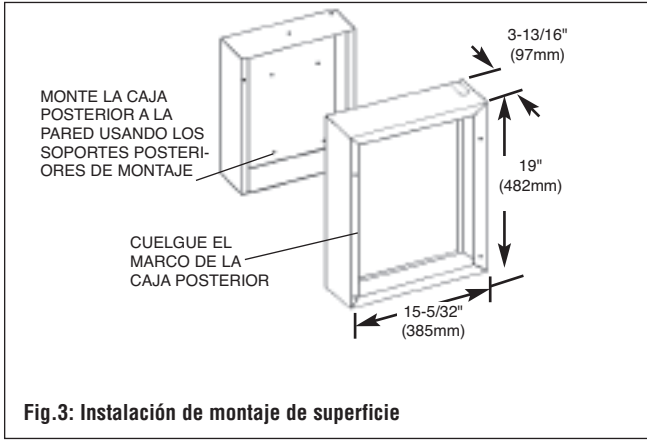
- Asegure la caja posterior a la pared (con los orificios ciegos en la esquina superior derecha) usando tornillos y anclas.
 - Cuelgue el marco de montaje de superficie en la caja posterior. Asegúrese que el borde posterior del marco de montaje de superficie esté al ras contra la pared.
- NOTA:** Si el calentador está ubicado en un área de tráfico intenso, donde puede estar sujeto a vandalismo o abuso, sea muy precavido en verificar que la caja esté firmemente fijada a la pared.
- Cableado de suministro de potencia

NOTA: Volumen del compartimiento de cableado - 119pulg.3 (1950cm³).

- Tienda un cable de suministro de potencia dentro del área de la esquina superior derecha del marco de montaje.

NOTA: Si el cableado debe tenderse a través de la pared, corte un orificio en el área del tope de la caja de pared. Tienda el conductor de suministro a través de este orificio. A continuación extraiga la cobertura del orificio ciego del tope de la caja y proceda al paso C.

- b. Extraiga la cubierta del orificio ciego en el lado tope del marco.
- c. Alimente el cable de suministro de potencia a través del marco permitiendo que 6" (152mm) permanezcan dentro del armazón.

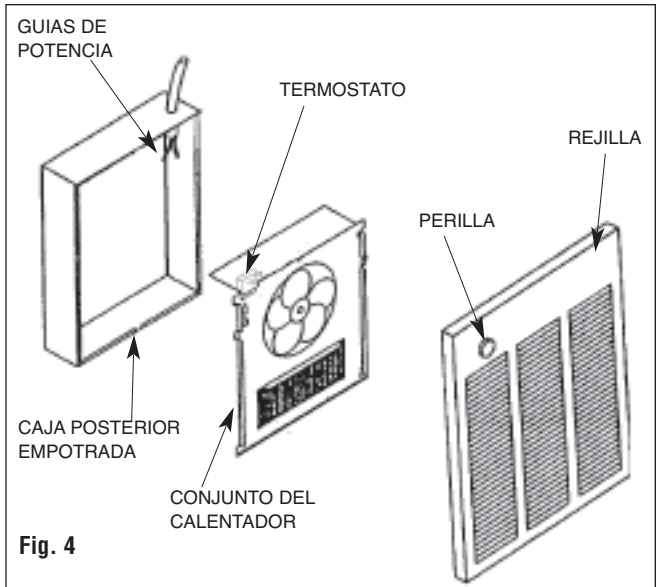


- d. Inserte el cable de suministro de potencia a través del sujetador de cable, permitiendo que por lo menos 6" (152mm) de guías se extiendan dentro de la caja posterior. Conecte los conductores azules de guía del interruptor desconectador a las guías de los conductores de suministro, usando conectores de conductor (Vea el diagrama de cableado, pág. 3).
- e. Conecte a tierra la caja posterior conectando el conductor guía de suministro a tierra al tornillo verde de conexión a tierra ubicado en el tope interior de la caja posterior.

Instalación del conjunto del calentador y de la rejilla

Después que se haya instalado completamente la caja posterior y no se anticipan más desechos de construcción, limpie los desechos de la caja posterior, extraiga el conjunto del calentador de su caja, a continuación, refiérase a la Figura 4 y proceda como sigue:

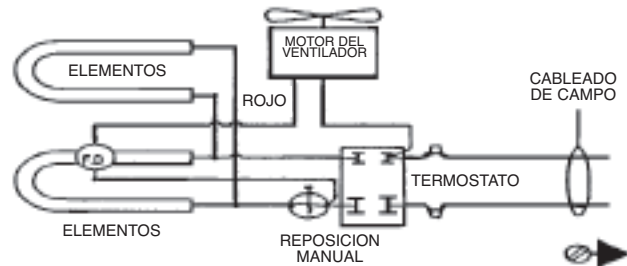
1. Inserte el conjunto del calentador dentro de la caja posterior, colocando los cuatro orificios de montaje (con las chaveteras) sobre los tornillos en la caja posterior. Ajuste seguramente todos los tornillos.
2. Si se usa un marco de montaje de superficie, asegúrese que el marco esté alineado con todas las aletas de ensamblado del calentador antes de ajustar los tornillos.
3. Conecte los conductores del cable de alimentación a los conductores de la conjunto del calentador. (Vea el Diagrama de Cableado). Después de conectar, empuje los conductores dentro de la abertura.
4. Gire el termostato a la posición extrema contraria a las agujas del reloj.
5. Monte la rejilla usando los cuatro (4) tornillos grandes provistos. Los tornillos se enroscan dentro de los orificios ubicados en las bridas laterales de la caja posterior.
6. Empuje la perilla del termostato dentro del eje del termostato.



DIAGRAMAS DE CABLEADO (FASE UNO)

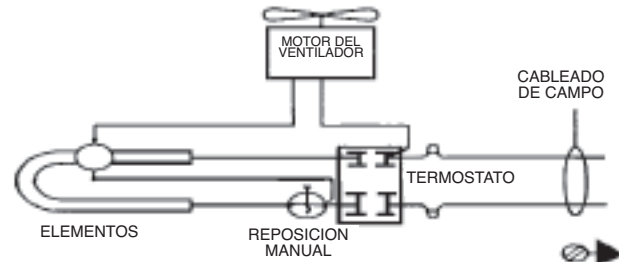
PRECAUCION

Para asegurar una operación adecuada del ventilador, el termostato no debe ciclar el ventilador a prendido y apagado. Siga exactamente el diagrama de cableado.



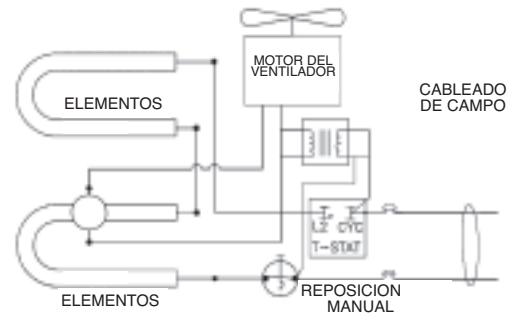
CALENTADORES DE 4800, 4000 y 3000 VATIOS

208V, 240V O 277V (Los calentadores de vataje completo pueden convertirse a medio vataje extrayendo el conector rojo puente que conecta los terminales de los elementos superior e inferior.



CALENTADORES DE 2000 y 1500 VATIOS

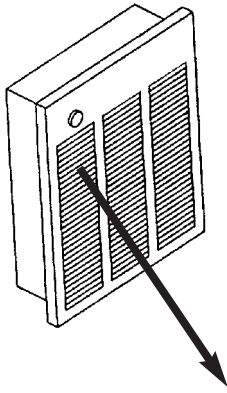
208V, 240V, O 277V



CALENTADORES DE 4800, 4000, y 3000 VATIOS

347V, 600V

INFORMACION IMPORTANTE



NO. MODELO **K404A** CODIGO DE FECHA: **0595**
CALENTADOR DE PARED DE TIRO FORZADO
APPAREIL DE CHAUFFAGE MURAL À TIRAGE FORCÉ
VOLTS AC 240/208 60HZ 1500 WATT 1 PHASE
SE DEBE USAR CON C.A. POSTERIOR
NO OPERE SIN LA CUBIERTA FRONTAL EN SU LUGAR.
DOIT ÊTRE UTILISÉ AVEC BOÎTIER ARRIÈRE AWH-BB
NE PAS UTILISER SI LE COUVERCLE AVANT N'EST PAS EN PLACE.
MARLEY ENGINEERED PRODUCTS
BENNETTSVILLE, SC 29512



4104-2093-028

Mantenimiento

REPOSICION DE LA REPOSICION MANUAL DE LIMITE

Su calentador está equipado con un control de reposición térmica manual de límite que automáticamente apagará el calentador para prevenir un incendio si el calentador se calienta excesivamente. Este control está ubicado en el conjunto del panel del ventilador entre el elemento y la hélice del ventilador y está marcado "reset". El botón rojo de reposición puede verse a través de la rejilla delantera, al instalarse el calentador. Para reposicionar, permita que el calentador y se enfríe, va continuación, presione el botón rojo que es visible a través del orificio en el panel del ventilador. El calentador debe retornar inmediatamente a la operación normal.

PRECAUCION



LA OPERACION DEL CONTROL DE REPOSICION TERMICA MANUAL DE LIMITE ES UNA INDICACION QUE EL CALENTADOR HA ESTADO SUJETO A ALGUNA CONDICION ANORMAL. SE RECOMIENDA QUE EL CALENTADOR SEA INSPECCIONADO POR UN ELECTRICISTA O SERVICIO DE REPARACIONES DE BUENA REPUTACION PARA ASEGURAR QUE EL CALENTADOR NO HAYA SIDO AVERIADO.

El calentador debe limpiarse una vez por año para eliminar polvo y otras materias extrañas que se hayan acumulado durante la temporada de calefacción. Esta es una operación sencilla cuando se efectúa como sigue:

1. Corte la potencia eléctrica en el interruptor principal de línea (o extraiga todos los fusibles) para desconectar la potencia eléctrica del calentador. ESTO ES IMPORTANTE.
2. Extraiga la rejilla (Figura 4).
3. Con una boquilla de aspiradora o trapo para polvo, elimine el polvo y otros materiales extraños.

PRECAUCION

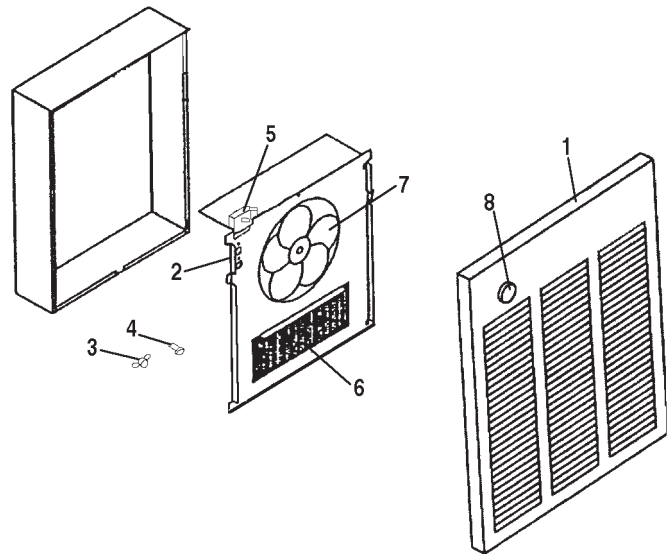


NO USE AGUA NI UN TRAPO HUMEDO PARA LIMPIAR Y NO MUEVA EL ELEMENTO TERMICO.

4. Después de limpiar, cambie el interruptor desconectador a la posición ENCENDIDO y vuelva a instalar la rejilla.
5. Conecte el interruptor principal de línea (o vuelva a colocar los fusibles) para restaurar la potencia al calentador. El calentador está ahora listo para otra temporada de operación.

Piezas de repuesto

Nº clave	Descripción	Número de parte
1	Cubierta frontal	1402-2239-000
2	Motor: 208V	3900-2010-000
	240V	3900-2010-000
	120V	3900-2010-003
3	Manual Limit	4520-2013-000
4	Fan Delay	410074000
5	Thermostat	5813-2027-000
6	Elemento: 208V/2000W	302015001
	240V/2000W	302015002
	277V/2000W	302015003
	277V/3000W	302012006
	208V/4000W	302012007
	240V/4000W	302012008
	240V/3000W	302012009
	240V/4800W	302012010
	277V/4800W	302012011
	120V/1500W	302012827
7	Paleta del ventilador	490030103
8	Bolso De las Piezas	1205-2070-001



GARANTIA LIMITADA

Todos los productos fabricados por Marley Engineered Products están garantizados contra defectos de mano de obra y materiales durante un año a partir de la fecha de instalación, excepto los elementos calefactores que están garantizados contra defectos de mano de obra y materiales durante cinco años a partir de la fecha de instalación. Esta garantía no se aplica por daños ocurridos por accidente, mal uso, o alteración, ni cuando el voltaje conectado sea 5% mayor que el indicado en la placa de nombre; ni al equipo instalado o cableado indebidamente, o mantenido en violación de esta hoja de instrucciones. Todos los reclamos de trabajo de garantía deben estar acompañados por prueba de la fecha de instalación.

El cliente será responsable por todos los costos incurridos en la extracción o reinstalación de los productos, incluyendo costos de mano de obra, y costos de transporte incurridos al retornar los productos a Marley Engineered Products Service Center y nosotros las repararemos o reemplazaremos, a nuestra opción, sin cargo para usted, con transporte de regreso pagado por Marley. Se acuerda mutuamente que tal reparación o reemplazo es el remedio exclusivo disponible de Marley Engineered Products.

LAS GARANTIAS INDICADAS ARRIBA SON A CAMBIO DE CUALQUIER OTRA GARANTIA EXPRESA O IMPLICITA Y SE DESCONOCEN Y EXCLUYEN DE ESTE ACUERDO TODAS LAS GARANTIAS IMPLICITAS DE COMERCIALIZACION Y APTITUD PARA UN FIN PARTICULAR QUE EXCEDAN LAS GARANTIAS PREVIAMENTE EXPRESADAS. MARLEY ENGINEERED PRODUCTS NO SERA RESPONSABLE POR DAÑOS CONSECUENTES ORIGINADOS POR EL PRODUCTO, YA SEAN QUE ESTEN BASADOS EN NEGLIGENCIA, LITIGACION, RESPONSABILIDAD ESTRUCTIVA O CONTRATO.

Algunos estados no permiten la exclusión o limitación de los daños incidentales o consecuentes, de manera que la exclusión o limitación indicada arriba puede no aplicarse a usted. Esta garantía le otorga derechos legales específicos, y usted puede tener también otros derechos que varían de estado a estado.

Llame a Marley Engineered Products en Bennettsville, SC al 1-800-642-4328 para la dirección de su centro autorizado de servicio más cercano. La mercancía retornada a la fábrica debe estar acompañada por una autorización de retorno y una etiqueta de identificación de servicio, ambas disponibles de la ubicación indicada. Incluya todos los números de catálogo mostrados en el producto, al requerir autorización de retorno.

COMO OBTENER SERVICIO EN GARANTIA, PIEZAS DE REPUESTO E INFORMACION GENERAL

1. Servicio o repuestos, en garantía: **1-800-642-4328**
2. Compra de piezas de repuesto: **1-800-654-3545**
3. Información general sobre productos: **www.marleymep.com**

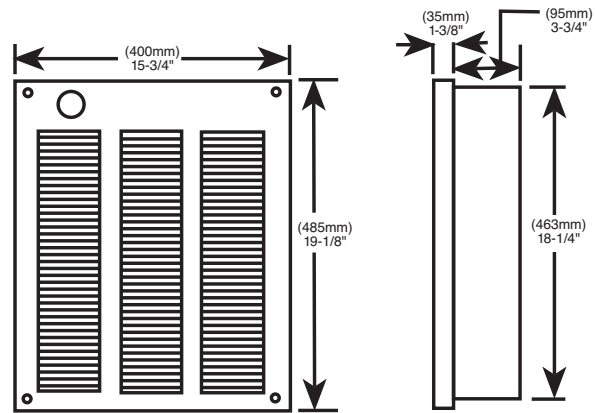
Nota: Cuando solicite servicio, siempre dé la información que sigue:

1. Número de modelo del producto
2. Fecha de fabricación
3. Número de parte o descripción



Marley
Engineered Products

470 Beauty Spot Rd. East
Bennettsville, SC 29512 USA



Radiateurs muraux à air pulsé Série "K" Model A



DOSSIER N° E21609

Instructions d'installation et d'entretien

Cher utilisateur,

Félicitations ! Nous vous remercions d'avoir fait l'acquisition de ce nouveau radiateur fabriqué par une division de Marley Engineered Products. Vous avez fait un bon investissement en choisissant un appareil de qualité imbattable. Veuillez lire attentivement et suivre scrupuleusement les consignes de ce manuel concernant l'installation et l'entretien. Nous sommes sûrs que vous bénéficierez de nombreuses années de confort grâce à cet appareil de chauffage efficace de Marley Engineered Products... le numéro 1 du secteur du chauffage en matière de conception, fabrication, qualité et service.

*... Les employés de
Marley Engineered Products*



AVERTISSEMENT



À lire attentivement - Ces instructions sont écrites pour vous aider à éviter des difficultés qui peuvent survenir pendant l'installation des radiateurs. Étudier les instructions au préalable peut vous faire économiser beaucoup de temps et d'argent plus tard. Observer les procédures suivantes pour réduire le temps d'installation à un minimum.

Pour réduire le risque d'incendie et d'électrocution

1. Pour éviter les électrocutions, couper le courant venant au radiateur au tableau d'alimentation principale avant de câbler ou d'effectuer un entretien.
2. Tout le câblage doit être conforme au code électrique local et national et le radiateur doit être mis à la terre à titre de précaution contre les électrocutions.
3. Avant de mettre sous tension, vérifier que la tension d'alimentation venant au radiateur correspond à la tension nominale indiquée sur la plaque signalétique du radiateur.
4. Ce radiateur est chaud lorsqu'il fonctionne. Pour éviter les brûlures, ne pas laisser la peau nue toucher les surfaces chaudes.

5. Ne pas insérer ni laisser des corps étrangers entrer par les ouvertures de ventilation ou de sortie d'air car cela peut causer une électrocution, un incendie ou une détérioration du radiateur.
6. Pour éviter un incendie, ne pas boucher les prises d'air ou les sorties d'air. Garder les matériaux combustibles, comme les cageots, les rideaux, etc... éloignés du radiateur. Ne pas installer le radiateur derrière des portes, des meubles, des serviettes ou des caisses. Ne pas installer dans le plafond.
7. Un radiateur contient des pièces chaudes et produisant des arcs électriques (étincelles). Ne pas l'utiliser dans des zones de remisage d'essence, de peinture ou de liquides inflammables.
8. Utiliser ce radiateur uniquement selon les instructions de ce manuel. Toute autre utilisation non recommandée par le fabricant peut causer un incendie, une électrocution ou des blessures corporelles.
9. Ce radiateur n'est pas approuvé pour utilisation dans des atmosphères corrosives, comme les zones de remisage de produits chimiques, les serres ou les zones maritimes.

CONSERVER CES INSTRUCTIONS

IMPORTANT

AVERTISSEMENT

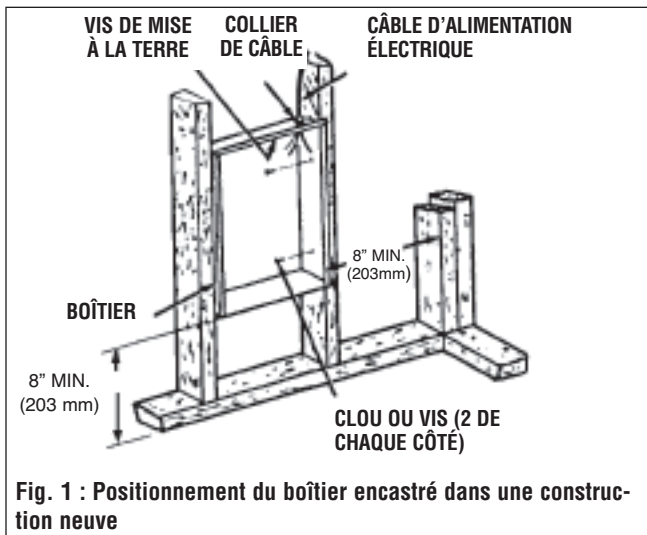
NE PAS INSTALLER LE RADIATEUR TÊTE EN BAS OU DE CÔTÉ.
NE PAS UTILISER LE RADIATEUR SANS LA GRILLE.

ATTENTION

POUR FIXATION MURALE UNIQUEMENT. **NE PAS** INSTALLER LE RADIATEUR À MOINS DE 203 mm DU SOL OU D'UN MUR ADJACENT. **NE PAS** INSTALLER LE RADIATEUR À MOINS DE 915 mm DU PLAFOND.

Installation de boîtier mural encastré dans une construction neuve

1. Fixation du boîtier mural (voir la figure 1)
 - a. Placer le boîtier mural entre deux poutres murales espacées de 460 mm centre à centre à la hauteur de fixation désirée mais pas à moins de 203 mm du sol ou du mur adjacent.
 - b. Aligner le boîtier mural pour que le bas et les côtés soient au ras de la surface finie du mur (le bord supérieur du boîtier mural doit dépasser d'environ 13 mm de la surface finie du mur).



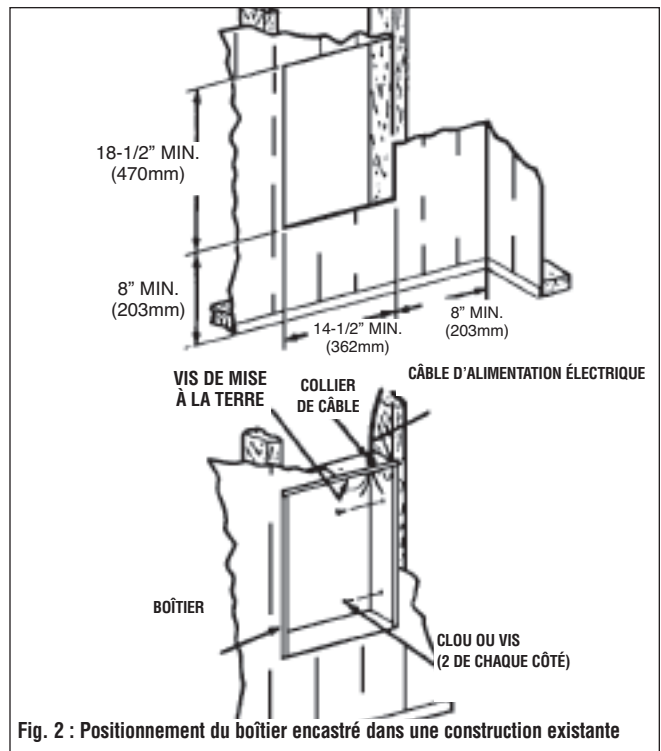
- c. Bloquer le boîtier en position avec des vis à bois ou des clous conformément à la figure 1.
2. Câblage de l'alimentation électrique (voir la figure 1)

REMARQUE : Volume du compartiment de câblage – 1950 cm³.

- a. Passer un câble d'alimentation dans la découpe du coin supérieur droit du boîtier.
- b. Installer un collier de câble dans la découpe en haut du boîtier mural.
- c. Insérer le câble d'alimentation dans le collier de câble, en laissant au moins 152 mm de fils de connexion dépasser à l'intérieur du boîtier. Connecter les fils de connexion bleus de l'interrupteur de mise hors-circuit sur les fils d'alimentation avec des connecteurs de fil (voir le schéma de câblage page 3).
- d. Mettre le boîtier à la terre avec la vis verte située sur le bord supérieur intérieur du boîtier.

Installation du boîtier mural encastré dans une construction existante

1. Faire une ouverture murale de 362 mm de large par 470 mm de haut à la hauteur de fixation désirée, mais pas à moins de 203 mm des murs adjacents ou le plancher et à plus de 915 mm du plafond. (Voir la figure 2.)
2. Câblage de l'alimentation électrique



REMARQUE : Volume du compartiment de câblage – 1950 cm³.

- a. Passer un câble d'alimentation dans la zone au-dessus du haut de l'ouverture murale.
 - b. Installer un collier de câble dans la découpe en haut du boîtier mural.
 - c. Insérer le câble d'alimentation dans le collier de câble, en laissant au moins 152 mm de longueur de câble à l'intérieur du boîtier. Connecter les fils d'alimentation électrique aux fils bleus de l'interrupteur de mise hors-circuit avec des connecteurs de fil (voir le schéma de câblage de la page 3)
 - d. Mettre le boîtier à la terre avec la vis verte située sur le bord supérieur intérieur du boîtier.
3. Fixation du boîtier mural

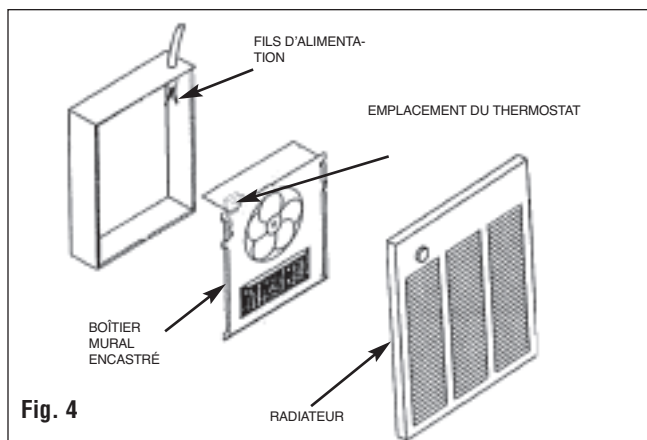
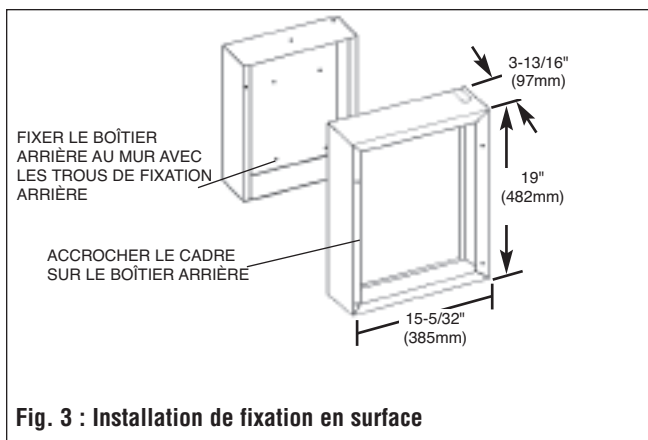
- a. Placer le boîtier mural dans l'ouverture murale au ras de la surface murale finie sur le bas et les côtés du boîtier. (le bord supérieur du boîtier mural doit dépasser d'environ 13 mm de la surface murale finie).
- b. Bloquer le boîtier mural en place avec des vis à bois ou des clous.

REMARQUE : Pour le classement par taille correct de fil, référez vous svp au code électrique national, la section 310. Seulement l'utilisation au moins 75° évalué par fil de cuivre C n'emploi pas le fil d'aluminium avec cette unité.

Installation du boîtier avec cadre de fixation en surface (voir figure 3).

1. Bloquer le boîtier arrière au mur (avec les coupes dans le coin supérieur droit) en utilisant des vis et des chevilles.
2. Accrocher le cadre de fixation en surface sur le boîtier arrière. S'assurer que le bord arrière du cadre de fixation en surface soit au ras contre le mur.

REMARQUE : Si le radiateur se trouve dans une zone de grand passage, où il peut être soumis à du vandalisme ou à des abus, veiller soigneusement à ce que le boîtier soit fermement fixé au mur.



3. Câblage de l'alimentation électrique

REMARQUE : Volume du compartiment de câblage - 1950 cm³.

- Passer un câble d'alimentation dans la zone du coin droit supérieur du cadre de fixation.

REMARQUE : Si le câblage doit passer dans le mur, couper un trou dans la zone du haut du boîtier mural. Passer le fil d'alimentation dans ce trou. Puis enlever la découpe du haut du boîtier et aller à l'étape C.

- Enlever la découpe sur le dessus du cadre.
- Passer le câble d'alimentation dans le cadre, en laissant 152 mm de fil de connexion à l'intérieur du boîtier intérieur.
- Insérer le câble d'alimentation dans le collier de câble, en laissant au moins 152 mm de fil dépasser dans le boîtier. Connecter les fils d'alimentation aux fils bleus de l'interrupteur de mise hors-circuit avec des connecteurs de fil (voir le schéma de câblage page 3).
- Mettre le boîtier à la terre en connectant le fil de terre de l'alimentation à la vis verte de mise à la terre située en haut à l'intérieur du boîtier.

Installation du radiateur et de sa grille

Lorsque le boîtier mural est complètement installé et qu'aucune autre saleté de construction n'est supposée être produite, nettoyer les débris du boîtier mural, sortir le radiateur de son carton puis consulter la figure 4 et procéder de la manière suivante :

- Insérer le radiateur dans le boîtier mural, plaçant les quatre trous de fixation (avec les fentes en trou de serrure) sur les vis dans le boîtier. Serrer fermement toutes les vis.
- En cas d'utilisation de cadre de fixation en surface, s'assurer que le cadre soit à niveau avec les quatre languettes de radiateur avant de serrer les vis.
- Connecter les fils de un câble d'alimentation jusqu'aux fils de connexion de la radiateur. Voir le schéma de câblage de la colonne suivante.
- Tourner le thermostat à fond dans le sens inverse des aiguilles d'une montre.
- Fixer la grille avec les quatre (4) longues vis fournies. Les vis se vissent dans les trous sur les parois latérales du boîtier arrière.
- Pousser le bouton de thermostat sur l'arbre de thermostat.

Utilisation

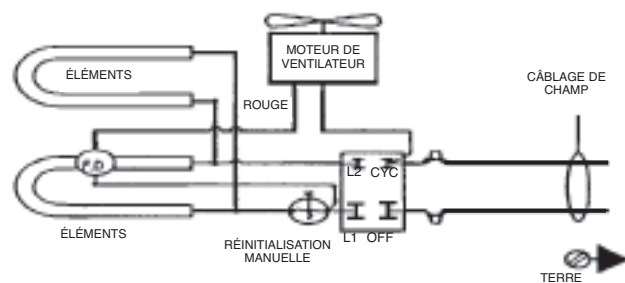
- Tourner le bouton du thermostat à fond dans le sens des aiguilles d'une montre. Ceci doit activer les éléments chauffants et le ventilateur, faisant sortir de l'air chaud des ouvertures en bas de la grille.
- Après vérification du fonctionnement, tourner le bouton du thermostat à la position désirée pour obtenir un confort ambiant.

REMARQUE : Pour obtenir de meilleurs résultats, le radiateur doit être laissé sur la position MARCHE en permanence pendant la saison de chauffage parce que le thermostat, lorsqu'il est bien réglé, maintient la température désirée.

Schémas de câblage (Phase1)

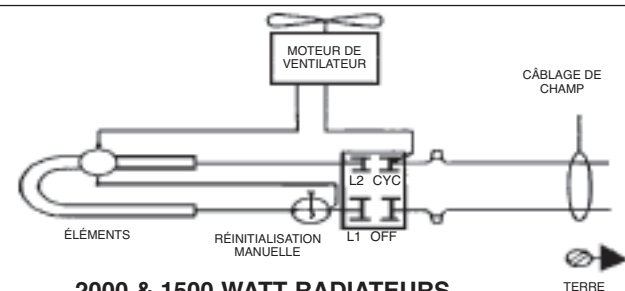
ATTENTION ⚠

POUR ASSURER UN FONCTIONNEMENT CORRECT DU VENTILATEUR, LE THERMOSTAT NE DOIT PAS METTRE EN MARCHÉ ET ARRÊTER EN PERMANENCE LE VENTILATEUR. SUIVRE PRÉCISÉMENT LE SCHÉMA DE CÂBLAGE.



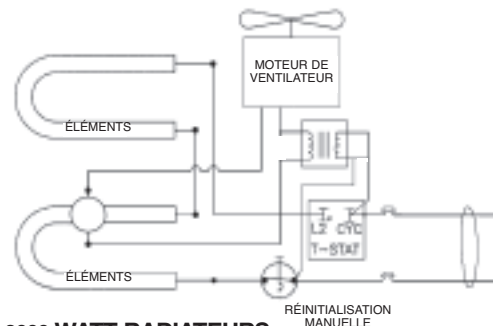
4800, 4000, & 3000 WATT RADIATEURS

208V, 240V, OR 277V (Les radiateurs à puissance complète peuvent être convertis à demi-puissance en retirant le fil jarretier rouge reliant les bornes éléments supérieurs et inférieurs.)



2000 & 1500 WATT RADIATEURS

208V, 240V, OR 277V



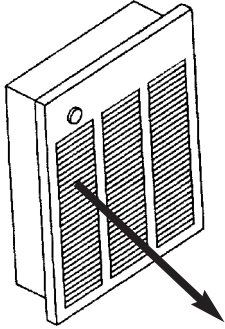
4800, 4000, & 3000 WATT RADIATEURS

347V, 600V

Entretien

POUR RÉINITIALISER LE DISJONCTEUR DE SÉCURITÉ À RÉINITIALISATION MANUELLE

L'appareil de chauffage est équipé d'un disjoncteur thermique de sécurité à réinitialisation manuelle qui coupe automatiquement le radiateur pour empêcher un incendie si le radiateur surchauffe. Ce contrôle est situé sur le tableau du ventilateur entre l'élément et la pale de ventilateur et est marqué "reset" (réinitialisation). Le bouton rouge de réinitialisation peut être vu par la grille avant lorsque l'appareil de chauffage est installé. Pour réinitialiser le disjoncteur de sécurité, laisser le radiateur refroidir, puis appuyer sur le bouton rouge qui est visible par le trou du panneau du ventilateur. Le radiateur doit immédiatement retourner au fonctionnement normal.



MODEL NO. **K404A**

DATE CODE: **0595**

FAN FORCED WALL HEATER

APPAREIL DE CHAUFFAGE MURAL À VENTIL FORCÉ

VOLTS AC 60HZ 115V 1 PHASE

240/208 1000/1000 1

MUST BE USED WITH A W-1-BB BACK BOX

DO NOT OPERATE WITHOUT FRONT COVER IN PLACE.

DOIT ÊTRE UTILISÉ AVEC BOÎTIER ARRIÈRE

NE PAS UTILISER SI LE COUVERCLE AVANT N'EST PAS EN PLACE.

MARLEY ENGINEERED PRODUCTS

BENNETTSVILLE, SC 29512



774G LISTED
ROOM HEATER

4104-2093-028

ATTENTION

LE FONCTIONNEMENT DU DISJONCTEUR THERMIQUE DE SÉCURITÉ À RÉINITIALISATION MANUELLE INDIQUE QUE LE RADIATEUR A ÉTÉ SOUMIS À UNE CONDITION ANORMALE. IL EST RECOMMANDÉ DE FAIRE VÉRIFIER LE RADIATEUR PAR UN ÉLECTRICIEN RÉPUTÉ OU PAR UN BON SERVICE DE DÉPANNAGE POUR S'ASSURER QUE LE RADIATEUR N'AIT PAS ÉTÉ DÉTÉRIORÉ.

Une fois par an, le radiateur doit être nettoyé pour en retirer la poussière et les autres corps étrangers qui se sont accumulés pendant la saison de chauffage. C'est une opération simple lorsqu'elle est effectuée de la manière suivante :

1. Couper le courant au commutateur principal (ou enlever tous les fusibles) pour débrancher le courant électrique du radiateur. C'EST IMPORTANT.
2. Enlever la grille (figure 4) et mettre l'interrupteur de mise hors-circuit en position d'arrêt.
3. Avec un suceur d'aspirateur ou un chiffon à poussière, enlever la poussière et les autres corps étrangers.
4. Lorsque le nettoyage est terminé, mettre le commutateur demise hors-circuit sur la position de marche et réinstaller la grille.

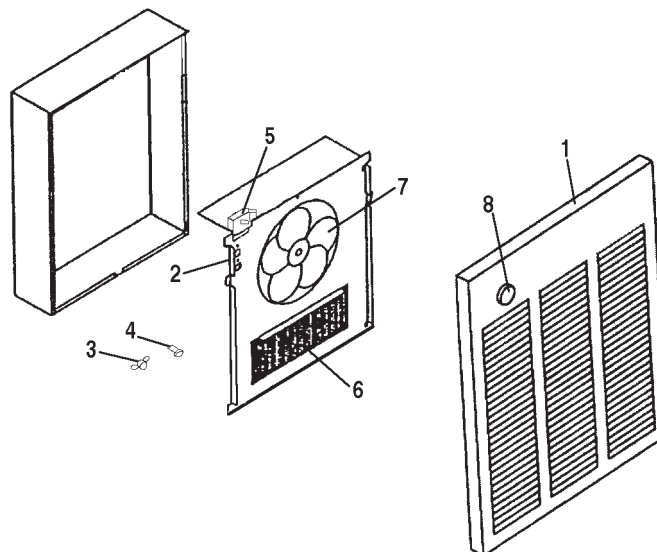
ATTENTION

NE PAS UTILISER D'EAU OU DE CHIFFON HUMIDE POUR NETTOYER ET **NE PAS** DÉPLACER L'ÉLÉMENT CHAUFFANT.

5. Remettre le commutateur principal sur marche (ou remettre les fusibles en place) pour rétablir le courant au radiateur. Le radiateur est désormais prêt pour une autre saison de fonctionnement.

Identification des pièces de remplacement

N° réf.	Description	N° de pièce
1	Couvercle avant	1402-2239-000
2	Moteur:208V 240V 120V	3900-2010-000 3900-2010-000 3900-2010-003
3	Restauration manuelle	4520-2013-000
4	Retard à la ventilation	410074000
5	Thermostat	5813-2027-000
6	Elemento:208V/2000W 240V/2000W 277V/2000W 277V/3000W 208V/4000W 240V/4000W 240V/3000W 240V/4800W 277V/4800W 120V/1500W	302015001 302015002 302015003 302012006 302012007 302012008 302012009 302012010 302012011 302012827
7	Pale de ventilateur	490030103
8	Sac De Pièces	1205-2070-001



GARANTIE LIMITÉE

Tous les produits fabriqués par Marley Engineered Products sont garantis contre les défauts de fabrication et de matériau pendant un an à compter de la date d'installation, sauf les éléments chauffants qui sont garantis contre les défauts de fabrication et de matériau pendant cinq ans à partir de la date d'installation. Cette garantie ne s'applique pas aux détériorations consécutives à un accident, à une mauvaise utilisation ou à une modification; ni si la tension d'alimentation est supérieure de plus de 5% à la tension de la plaque signalétique; ni à un équipement incorrectement installé ou câblé ou entretenu en violation des instructions d'installation du produit. Toutes les réclamations pour du travail sous garantie doivent être accompagnées par une preuve de la date d'installation.

Le client sera responsable de tous les frais causés par l'enlèvement ou la réinstallation des produits, y compris les frais de main d'oeuvre et les frais d'expédition pour renvoyer les produits au centre d'entretien Marley Engineered Products. Dans le cadre des limites de cette garantie, les appareils défectueux doivent être renvoyés au centre de service après-vente agréé Marley le plus proche ou au centre Marley Engineered Products et nous les réparerons ou remplacerons, à notre choix, gratuitement pour vous avec les frais de retour payés par Marley. Il est entendu qu'une telle réparation ou un tel remplacement sont les seuls recours pouvant être obtenus de Marley Engineered Products.

LES GARANTIES CI-DESSUS REMPLACENT TOUTES LES AUTRES GARANTIES EXPLICITES OU IMPLICITES ET TOUTES LES GARANTIES IMPLICITES DE COMMERCIALITÉ ET D'ADAPTATION À UN USAGE PARTICULIER QUI DÉPASSENT LES GARANTIES EXPLICITES DÉCRITES CI-DESSUS SONT RÉFUTÉES PAR LA PRÉSENTE ET EXCLUES DE CET ACCORD. MARLEY ENGINEERED PRODUCTS NE SERA PAS RESPONSABLE DES DOMMAGES CIRCONSTANCIELS CAUSÉS PAR LE PRODUIT, QUE CE SOIT PAR NÉGLIGENCE, DÉLIT, RESPONSABILITÉ STRICTE, OU CONTRAT.

Certaines provinces n'autorisent pas l'exclusion ou la limitation des dommages circonstanciels ou fortuits, l'exclusion ou la limitation ci-dessus peuvent donc ne pas vous concerner. Cette garantie vous donne des droits légaux spécifiques et vous pouvez aussi avoir d'autres droits qui varient d'une province à l'autre.

Pour l'adresse de notre centre d'entretien autorisé le plus proche, contacter Marley Engineered Products à Bennettsville, Caroline du Sud, États-Unis d'Amérique au 1-800-642-4328. La marchandise renvoyée en usine doit être accompagnée d'étiquettes d'identification d'autorisation de renvoi et de service, disponibles chez Marley Engineered Products. Lors de la demande d'autorisation de renvoi, inclure tous les numéros de catalogue apparaissant sur les produits.

COMMENT OBTENIR DES INFORMATIONS GÉNÉRALES ET DEMANDER UNE RÉPARATION OU DES PIÈCES SOUS GARANTIE

1. Réparations et pièces sous garantie **1-800-642-4328**
2. Achat de pièces de rechange **1-800-654-3545**
3. Informations générales sur les produits **www.marlymep.com**

Remarque : Lorsque vous demandez de l'assistance, ayez toujours en main

1. Le numéro de modèle du produit
2. La date de fabrication
3. Numéro ou description de la pièce



Marley
Engineered Products

470 Beauty Spot Rd. East
Bennettsville, SC 29512 USA