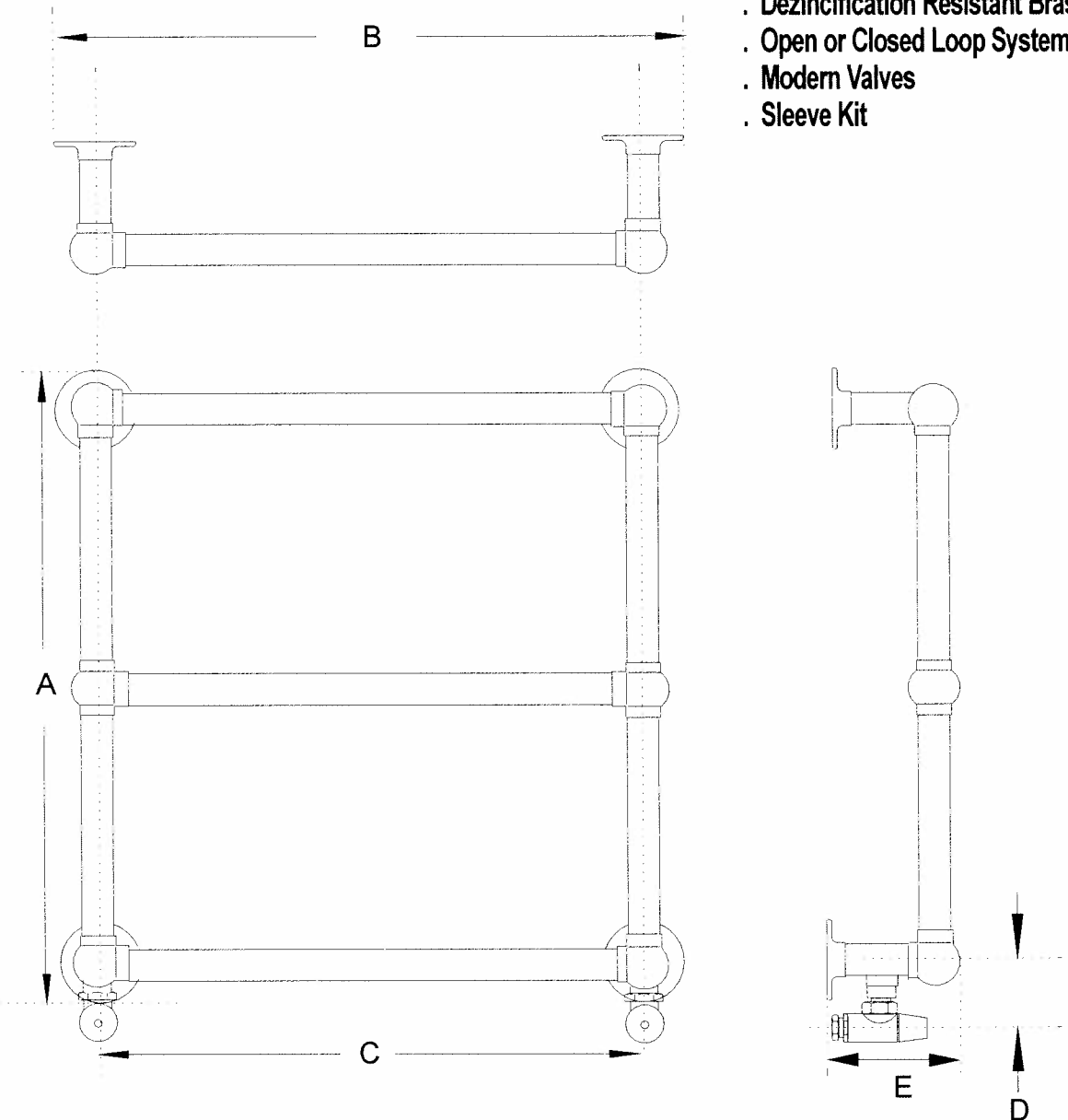




MYSON

Saxby B34 Traditional Hydronic

B34 Technical Sheet



Technical information 04/07

- . Rough in 3/4" copper
- . BTU @ 150 Degree EWT
- . Frame Tube Diameter: 1"
- . Dezincification Resistant Brass
- . Open or Closed Loop System
- . Modern Valves
- . Sleeve Kit

Model	A	B	C	D	E	BTU	Tube Dia
B34/1	27"	27"	24"	3 1/8"	5 5/8"	505	1"
B34/5	27 1/4"	27 1/4"	24"	3 1/8"	5 7/8"	606	1 1/4"