

Installation, Operating, Maintenance  
and After Sales Manual.

WHISPA III® 5000, 7000 & 9000



**heatingthroughinnovation.**

Product Serial Number:

--	--	--	--	--	--	--

Installation Date:

--	--

Part Number: 1371051  
Issue 1



Tested to UL & CSA Standards

## Contents

<b>1.0</b>	General Information	03
<b>2.0</b>	Heating System Design	03
<b>3.0</b>	Selection and Sizing for Heating	03
<b>4.0</b>	Location	03
<b>5.0</b>	Preparation	03
<b>6.0</b>	Electrical Connection	04
<b>7.0</b>	Water Connection	05
<b>8.0</b>	Fitting the WHISPA III®	06
<b>9.0</b>	Technical Data	07
<b>10.0</b>	Operating Instructions	09
<b>11.0</b>	Troubleshooting	10
<b>12.0</b>	Maintenance	11

## 1.0 General Information

- This MYSON WHISPA III® fan convector is designed for installation in the cavity beneath kitchen cupboards on the vacant floor space, or other similar locations.
- No rear access shall be available to the unit after installation.
- MYSON WHISPA III® fan convectors are designed to be used with mono-flo Tees from a series loop, on a two pipe system, or as a stand alone zone.
- Before proceeding with the installation, the heating system design must be considered and the unit correctly sized to meet the heat loss requirements of the room.
- Flexible hoses with integral isolating valves can be used to allow easy installation and future access for maintenance.
- WHISPA III® fan convectors are supplied with integral controls including fan speed selector and summer/winter switch.
- In heating mode a low limit thermostat prevents the fan from operating if the heating system water temperature is below 110°F.
- In summer mode the fan can be operated to circulate a flow of air without any heat supply.
- WHISPA III® units are not designed for use with steam.
- WHISPA III® units have different pipe centres and wiring positions than previous WHISPA II® units.

## 2.0 Heating System Design

This fan convector can be fitted on a series loop with mono-flo or venturi Tees, on a two pipe system or as a stand alone zone.

For optimum fan convector heating performance the system must be capable of providing sufficient hot water through the heat exchanger. This means that:

1. Care must be taken in sizing both the pump and piping. The minimum pipe size from boiler to fan convector must be 1/2" copper tube.
2. Where the unit is fitted on to a system with other emitters, mono-flo Tees or diverter Tees should be used to provide adequate water flow.
3. This unit must not be installed in series in a baseboard loop.
4. The system water must be above 110°F for fan to switch on, and for satisfactory operation the mean water temperature should not be below 140°F.
5. Optimum performance will require effective balancing of the whole system.
6. This unit should not be used to replace a radiator in an existing system unless an adequate flow of water can be guaranteed through the unit.
7. The loop must be pumped. WHISPA III® fan convectors are not suitable for gravity circulation systems.

## 3.0 Selection and Sizing for Heating

- Heat output performance is given in the Technical Data section of this manual.
- Since WHISPA III® units are supplied with fan speed control it is important to size the unit to match the calculated heat loss requirements of the room with the unit operating at the low fan speed.
- The higher fan speed can then be used for more rapid heating from cold in extreme conditions.
- When establishing the temperature difference, i.e. entering water to room temperature, allowance should be made for temperature drop in the system. It is the water temperature at the fan convector which dictates the output.

## 4.0 Location

- This WHISPA III® unit is designed for installation in the cavity beneath cupboards in kitchens or other similar locations on the vacant floor space.
- Once installed there must be enough space around the unit to allow air movement.
- When installed in a kitchen consideration should be given to storage of perishable goods in the cupboard above.
- The unit should be mounted on a clean and level floor area under the cupboard base.
- Care must be taken to ensure the installer fully cuts the plinth to allow air movement through the grille.

## 5.0 Preparation

Before proceeding with the installation, unpack the carton contents and check against the checklist below:

1. WHISPA III® unit.
2. Instruction manual.
3. Grille.
4. Screw fixing kit (with grille).

1.0

2.0

3.0

4.0

5.0

### 5.0 Preparation (continued...)

- A clean and level floor area is required under the cupboard base.
- Floor mounting - WHISPA III® is normally fitted directly onto the floor and the base of the unit is fitted with four mounting feet.
- Decide the position of the WHISPA III®, mark out and cut the plinth to the dimensions of Fig. 1 (floor mounting).

Model	Dimensions (in)	
	A	B
5000	18 <sup>3</sup> / <sub>8</sub>	4
7000	20 <sup>1</sup> / <sub>2</sub>	4
9000	22 <sup>5</sup> / <sub>8</sub>	4

A = Width of cutout  
 B = Height of cutout

Note: unit dimensions given in Technical Data section 9.

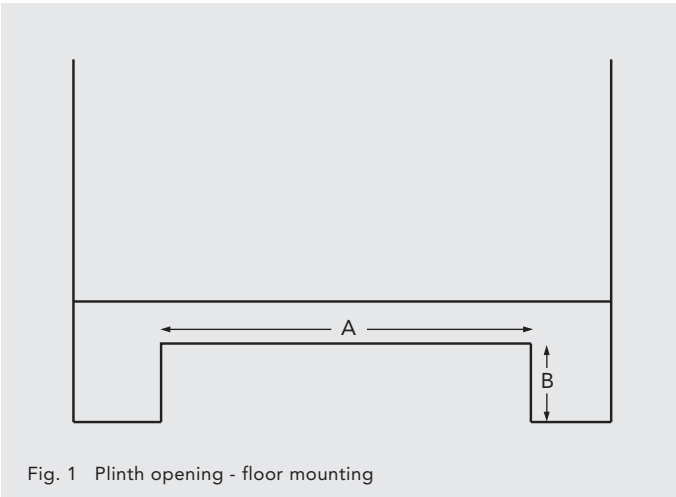


Fig. 1 Plinth opening - floor mounting

### 6.0 Electrical Connection

**WARNING:** This appliance must be grounded.

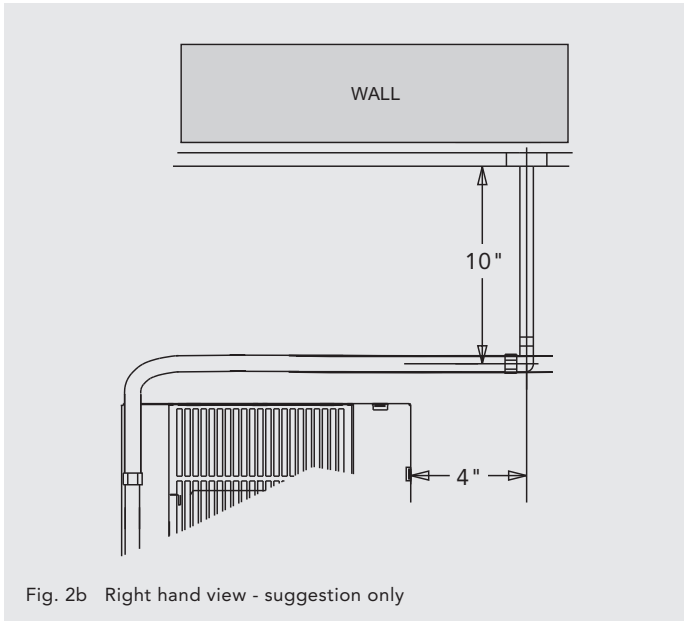
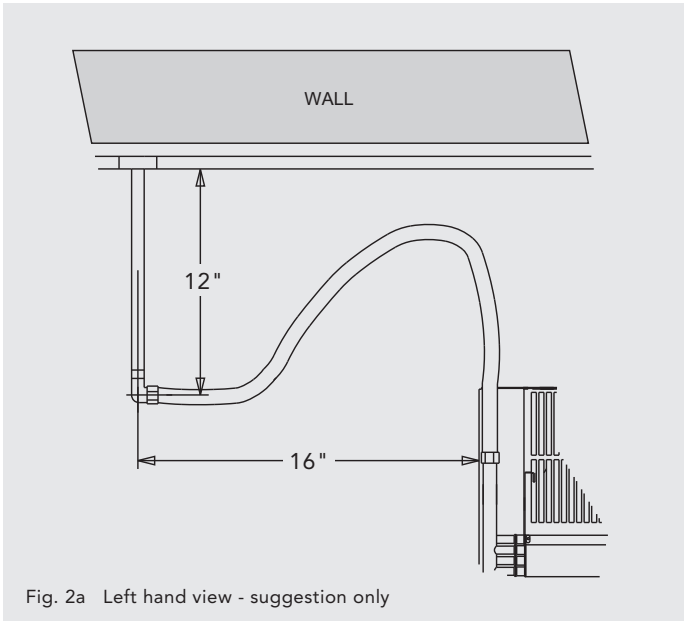
- The electrical installation must comply with local or national wiring regulations.
- This unit is supplied fitted with 8ft of 18awg cord with plug.

Do not energize the electrical supply until the remaining stages of the installation have been completed.

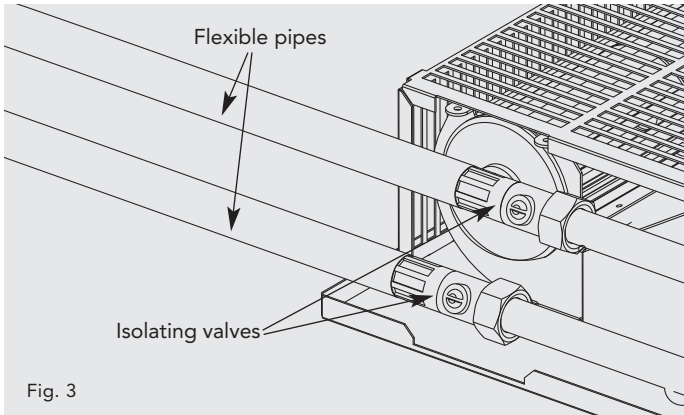
7.0 Water Connection

For ease of installation and maintenance WHISPA III® units should be installed with flexible hoses, with integral isolating valves. Flexible hoses are supplied only with the WHISPA III® EZ units.

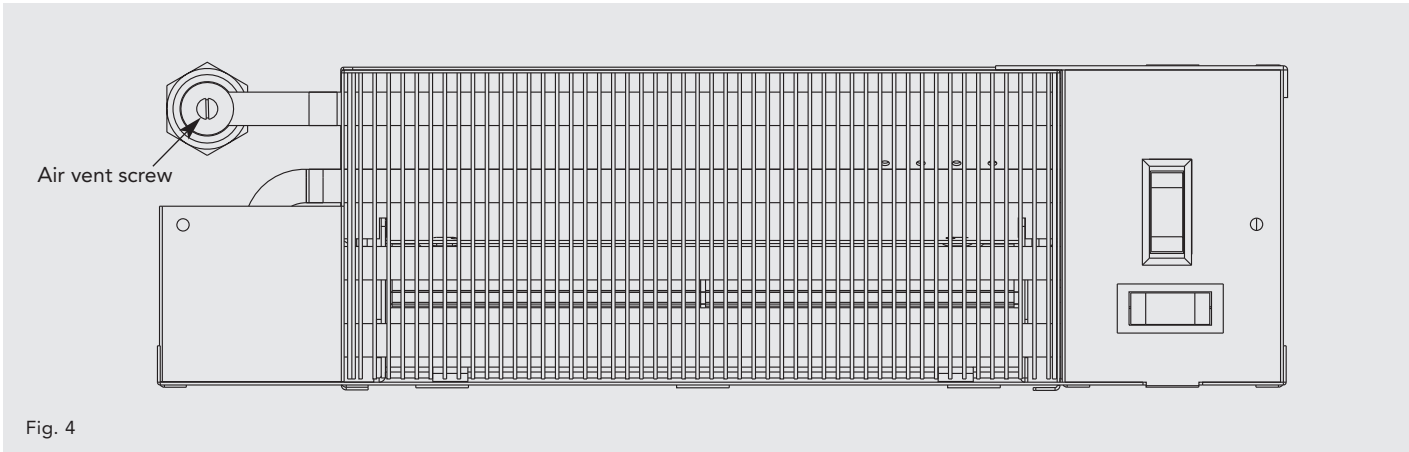
Pipework must be positioned correctly to ensure flexible hoses are not kinked when installed. See Fig. 2.



- Connect valve ends of the flexible pipes to the WHISPA III®.
- Note:** The direction of the arrows on the EZ flexible hose valves are not significant in this application.



- Open valves fully, check pipe connections for leaks and vent the heat exchanger. A vent screw is provided to vent the heat exchanger.



## 8.0 Fitting the WHISPA III®

- Position the WHISPA III® under the cupboard in the required location, with the front edge just behind the line of the plinth.
- Ensure that the flexible hoses are not kinked and that the electrical cord is not in contact with hot surfaces.
- Replace the plinth and bring the WHISPA III® forward into the opening so the front edge projects  $\frac{5}{16}$  inch through the plinth.

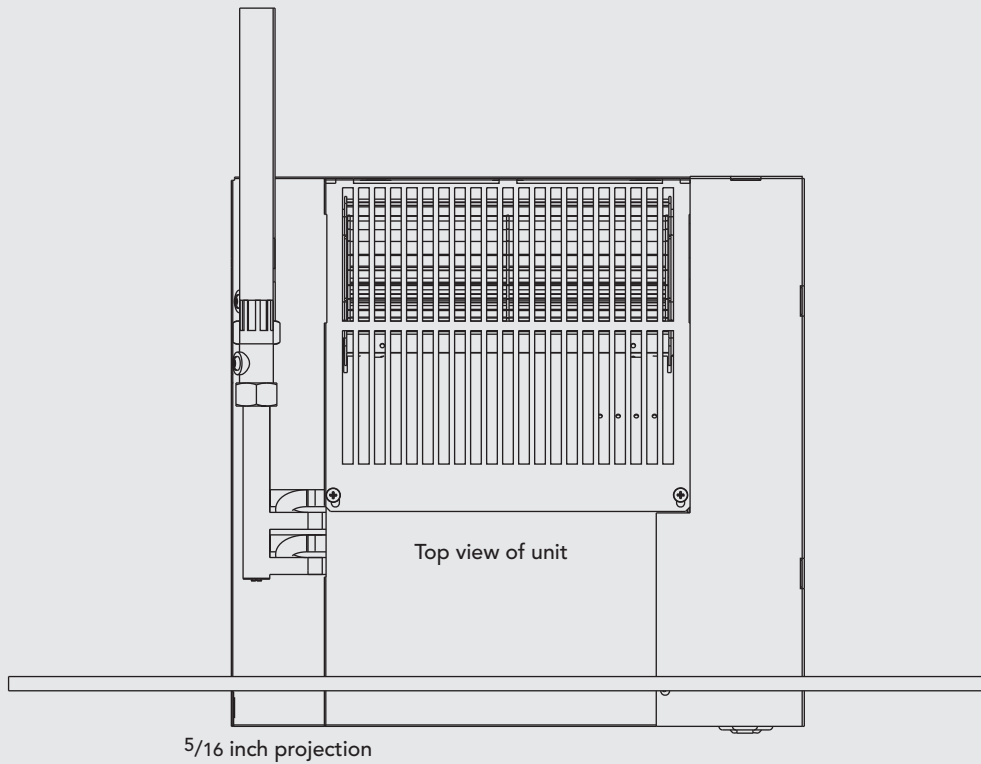


Fig. 5

- Align the grille and secure it to the unit with two screws supplied (use the shorter screws).
- Secure the unit/grille to the plinth with two screws supplied (use the longer screws).

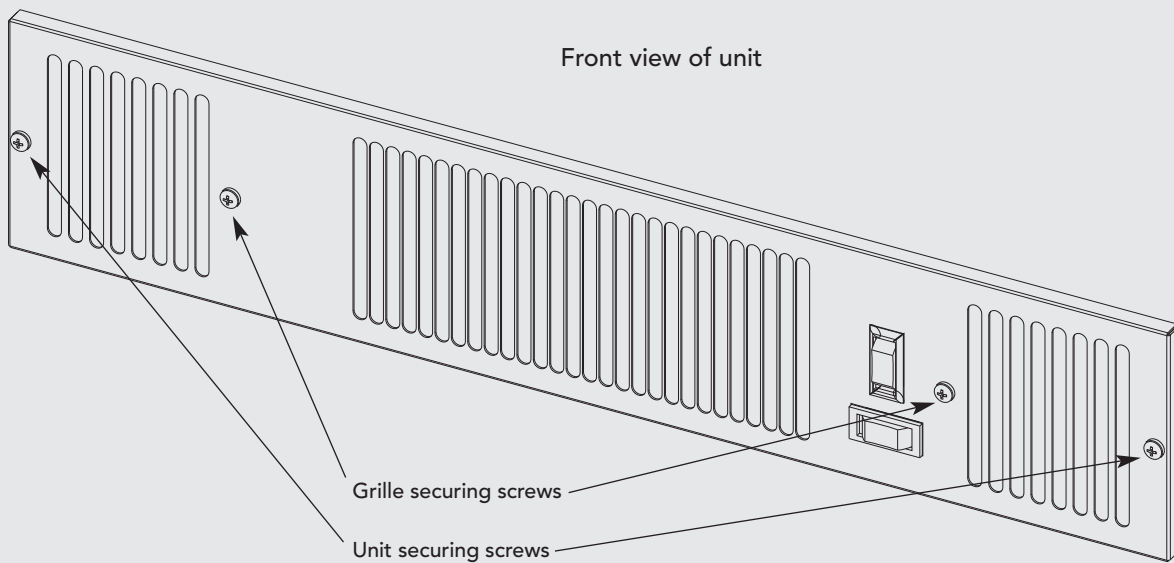


Fig. 6

8.0 Fitting the WHISPA III® (continued...)

- Complete the electrical installation, switch on and test the WHISPA III®.

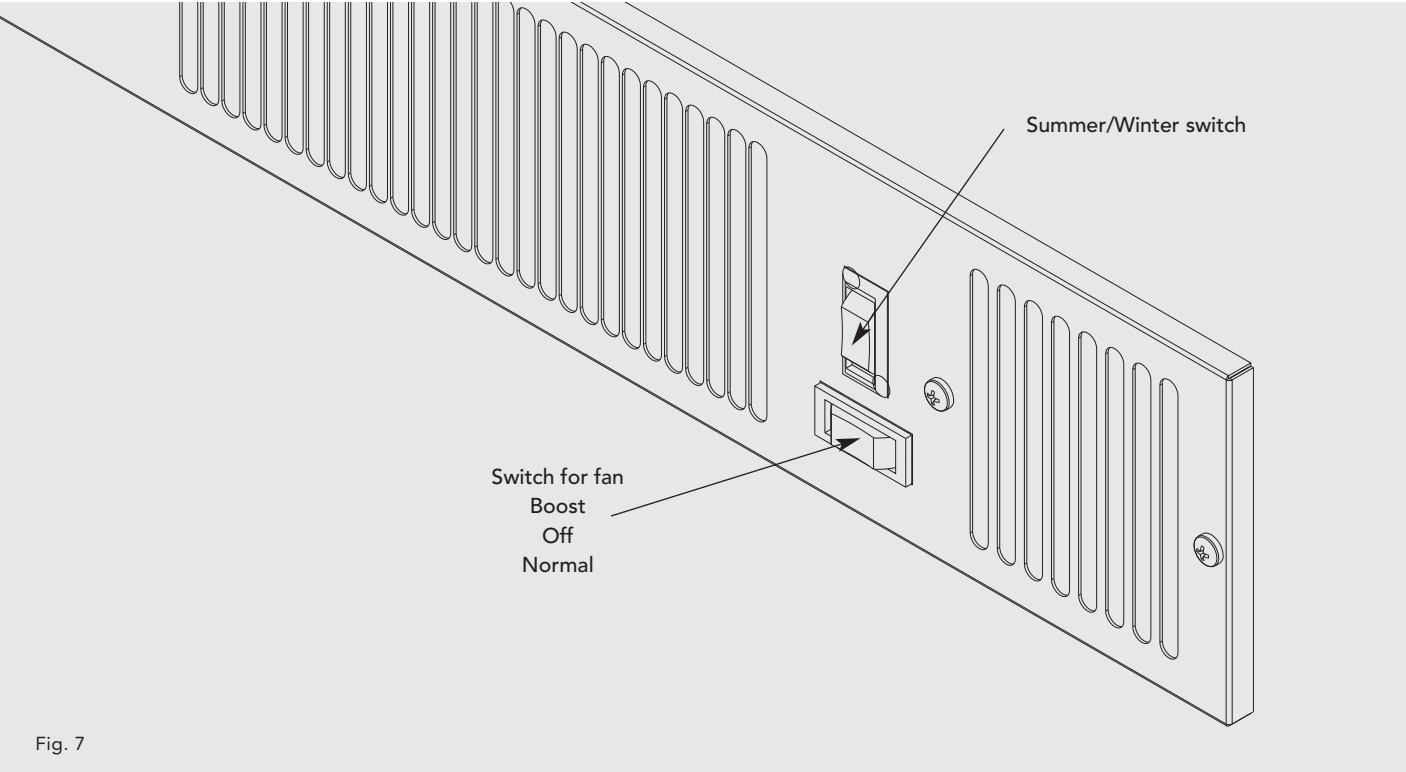


Fig. 7

9.0 Technical Data

WHISPA III® Unit Dimensions

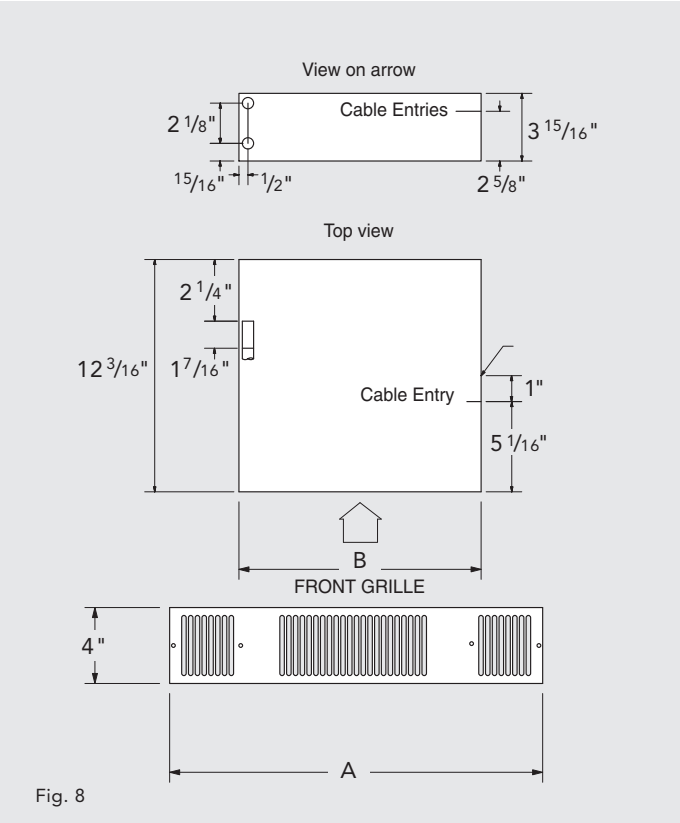


Fig. 8

Model	Dimensions (in)	
	A	B
5000	19 1/2	12 11/16
7000	21 5/8	14 9/16
9000	23 3/4	17 9/16

9.0 Technical Data (continued...)

Heating Performance Data

Model	Fan Setting	Flowrate (US gpm)	Heat Output (Btu/h)									
			Entering Water Temperature (°F), Entering Air Temperature (65°F)									
			110	120	130	140	150	160	170	180	190	200
5000	Boost	3	2040	2516	2997	3480	3967	4457	4949	5443	5939	6437
	Normal		1749	2096	2437	2773	3104	3432	3756	4078	4397	4713
	Boost	1	1795	2214	2637	3063	3491	3922	4355	4790	5226	5664
	Normal		1539	1844	2144	2440	2732	3020	3306	3589	3869	4147
7000	Boost	3	2758	3419	4089	4766	5450	6140	6834	7534	8238	8946
	Normal		1673	2204	2771	3373	4004	4665	5351	6062	6797	7554
	Boost	1	2427	3009	3598	4194	4796	5403	6014	6630	7249	7872
	Normal		1473	1939	2439	2968	3524	4105	4709	5335	5981	6648
9000	Boost	3	3759	4629	5504	6385	7271	8160	9053	9949	10848	11750
	Normal		3266	3916	4556	5185	5807	6422	7031	7634	8233	8827
	Boost	1	3308	4073	4844	5619	6398	7181	7967	8755	9546	10340
	Normal		2874	3446	4009	4563	5110	5652	6187	6718	7245	7767

Maximum inlet water temperature 200°F  
 Heat outputs tested in accordance with BS 4856 Part 1  
 Supply: 110V AAC 60Hz  
 Max working pressure: 145psi  
 Water connections: 1/2" Sweat

Approximate Hydraulic Resistance through Units

g/min	ft wg		
	5000	7000	9000
3	4.90	5.90	6.89
1	0.75	0.85	1.07

Weight, Water Content and Motor Power

Model	Motor Power (W)	Water Content (fl oz)	Unit Weight (lbs)
5000	25	5	9.5
7000	40	10	10.3
9000	40	11.5	11

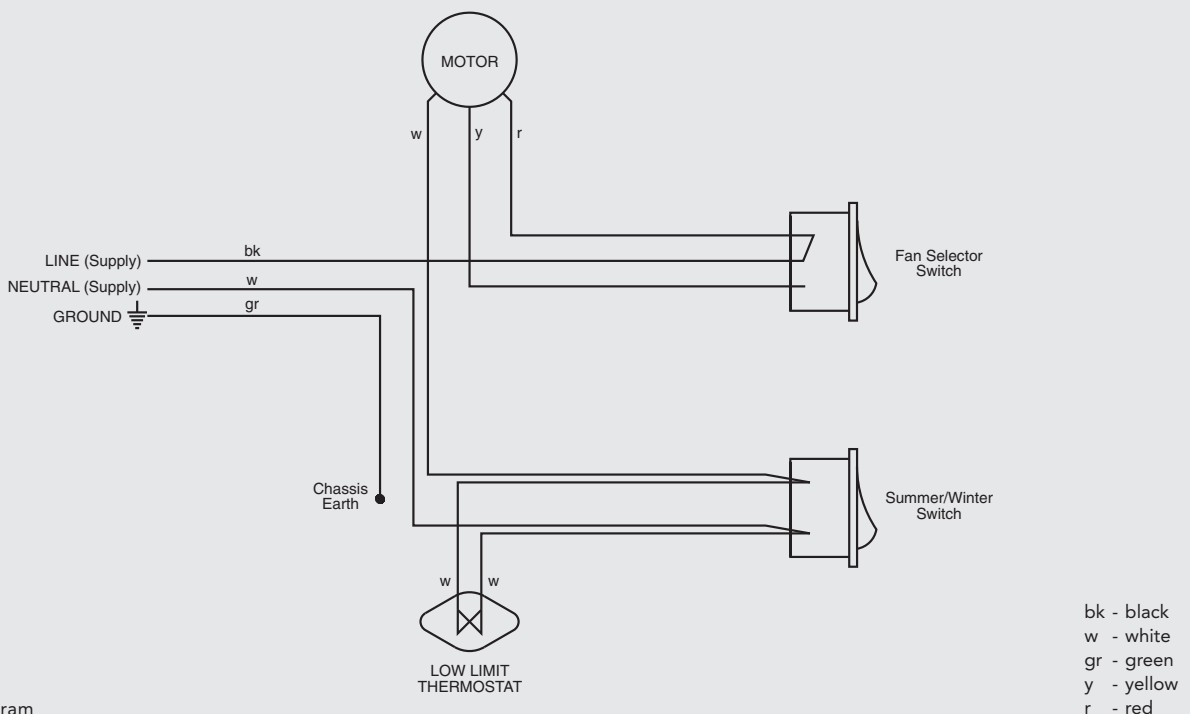


Fig. 9 Wiring diagram



## 10.0 Operating Instructions

This unit is controlled by the switches on the front of the unit.

Ensure the electricity supply is switched on.

### Heating Mode

The fan will only operate when

- The central heating boiler is on
- The pump is running
- The system water temperature is greater than 110°F.

Ensure boiler is on, and set timer, boiler controls and room thermostats as necessary.

- Turn room thermostat to a high setting.
- Set summer - winter switch to ☀️
- Set fan speed control position I.
- The unit will now run on low fan speed. For satisfactory operation the mean water temperature should not be below 140°F.

### Temperature Control

The room thermostat setting should be gradually adjusted to obtain the desired temperature.

The fan speed can be set to boost by switching the fan speed switch to II.

A low speed setting is recommended for normal operation with the higher speeds for boost heating when required.

### Low Limit Operation

The low limit thermostat fitted to the WHISPA III® will ensure that the fan stops after the heating system is switched off and the water flow stops. If left in an operating position the unit will automatically restart when the heating system is reheated.

### Off Position

Set the fan speed selector switch to the off (O) position.

### Summer Mode

If required, the WHISPA III® can be used in summer for air circulation without heat.

Set summer - winter switch to ☀️

Adjust fan speed to required setting.

## 11.0 Troubleshooting

Once installed this fan convector becomes an integral part of a complete heating system that includes boiler, pump, other emitters such as radiators and fan convectors, and a number of heating controls, dependent on system complexity. An apparent problem with this unit may be the result of system controls being incorrectly set and can be solved easily without calling out your

installer or MYSON. Before calling your installer or MYSON, please carry out the checks listed below.

Problem	Possible Causes	Remedy
Heating Mode - No Fan	Room thermostat not calling for heat	Turn up room thermostat
	Unit not switched on at breaker panel	Switch on breaker
	Breaker tripped at panel	Check all wiring, reset breaker
	Water temperature reaching unit below 110°F	Check boiler - Programmer ON Boiler ON and set to high Circulating pump running  <b>Note:</b> Operation of fan convector can be checked by switching to summer setting
Heating Mode - Poor heating performance and/or unit cycles on low limit thermostat	Low water temperature to unit	Turn up boiler thermostat
	Poor water flow	Vent air from heating system

If the fan convector is still faulty after checking the above, call your installer or MYSON.

### Common Installation Faults

For optimum performance, this unit must be correctly sized to match the heat loss requirements of the space it is required to

heat, and the heating system must be correctly designed to provide adequate flow of hot water to the unit (see Section 2). If the recommendations in Section 2 are not followed, problems may arise as detailed below.

Problem	Possible Causes
Poor heating performance	Unit incorrectly sized for heat loss of room
Poor heating performance (unit may cycle on low limit thermostat)	Boiler thermostat set too low
	Lack of flow to fan convector - Pump set on low setting
	Isolating valves not fully open
	System incorrectly balanced with unit starved of hot water flow
	Pipe sizing to unit too small

## 12.0 Maintenance

Before undertaking any maintenance activity isolate the electrical supply.

Maintenance should be restricted to occasional removal of dust and lint around the front grille.

This unit should be serviced periodically by a competent person.

This should involve internal cleaning of the heat exchanger using a soft brush or vacuum cleaner, taking care not to damage fan or heat exchanger.

### Spares List

Description	Part Number	Quantity
Motor / Fan Assembly WHISPA III® 5000	7100088	1
Motor / Fan Assembly WHISPA III® 7000	7100089	1
Motor / Fan Assembly WHISPA III® 9000	7100090	1
Switch, 3 way	1300025	1
Switch, 2 way	1300024	1
Low Limit Thermostat	1260007	1
Wiring Harness	3001047	1
15mm Valve & Flexible Hose	1252007	2
Brown Grille, WHISPA III® 5000	5000054	1
Brown Grille, WHISPA III® 7000	5000058	1
Brown Grille, WHISPA III® 9000	5000129	1
White Grille, WHISPA III® 5000	5000053	1
White Grille, WHISPA III® 7000	5000057	1
White Grille, WHISPA III® 9000	5000128	1
Black Grille, WHISPA III® 5000	5000061	1
Black Grille, WHISPA III® 7000	5000062	1
Black Grille, WHISPA III® 9000	5000130	1



**MYSON**

MYSON Inc. 948 Hercules Drive, Suite 5, Colchester, Vermont VT05446  
T: (802) 654-7500, F: (802) 654 7022, info@mysoninc.com, www.mysoninc.com



**heating**through**innovation.**