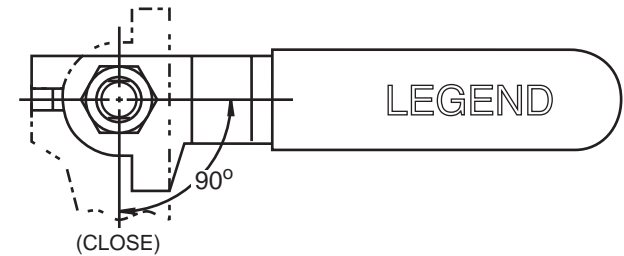
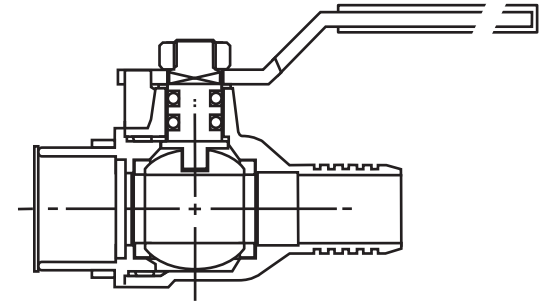


NOMENCLATURE AND MATERIALS

| NO. | PART | MATERIALS |
|-----|-------------|--|
| 1 | Nut | Steel S10C AISI-1010 |
| 2 | Handle | Steel SS41 A283-D |
| 3 | Washer | *Teflon PTFE |
| 4 | O-ring | Rubber NBR |
| 5 | Stem | Forged Brass C3604B B16-C36000 |
| 6 | Body | Forged Brass C3771B B124-C37700 |
| 7 | Seats | *Teflon PTFE |
| 8 | Ball | Chrome Plated Forged Brass C3604B B16-C36000 |
| 9 | End Adapter | Forged Brass C3771B B124-C37700 |

*Dupont registered trademark.



| SIZE | Cv Factor |
|------|-----------|
| 1/2" | 7.4 |
| 3/4" | 13.4 |
| 1" | 27.0 |

- NOTES:
- 400 W.O.G.
- 150 W.S.P.