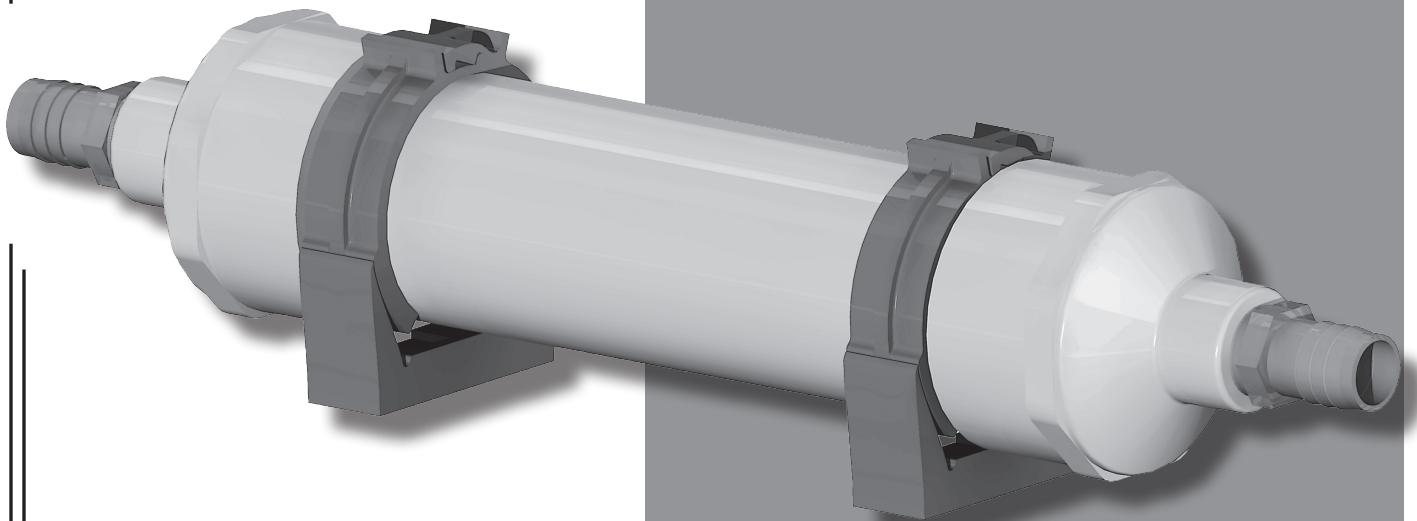


Suggested Specifications

JM

series

Condensate neutralizing tubes



Models JM-2 and JM-3

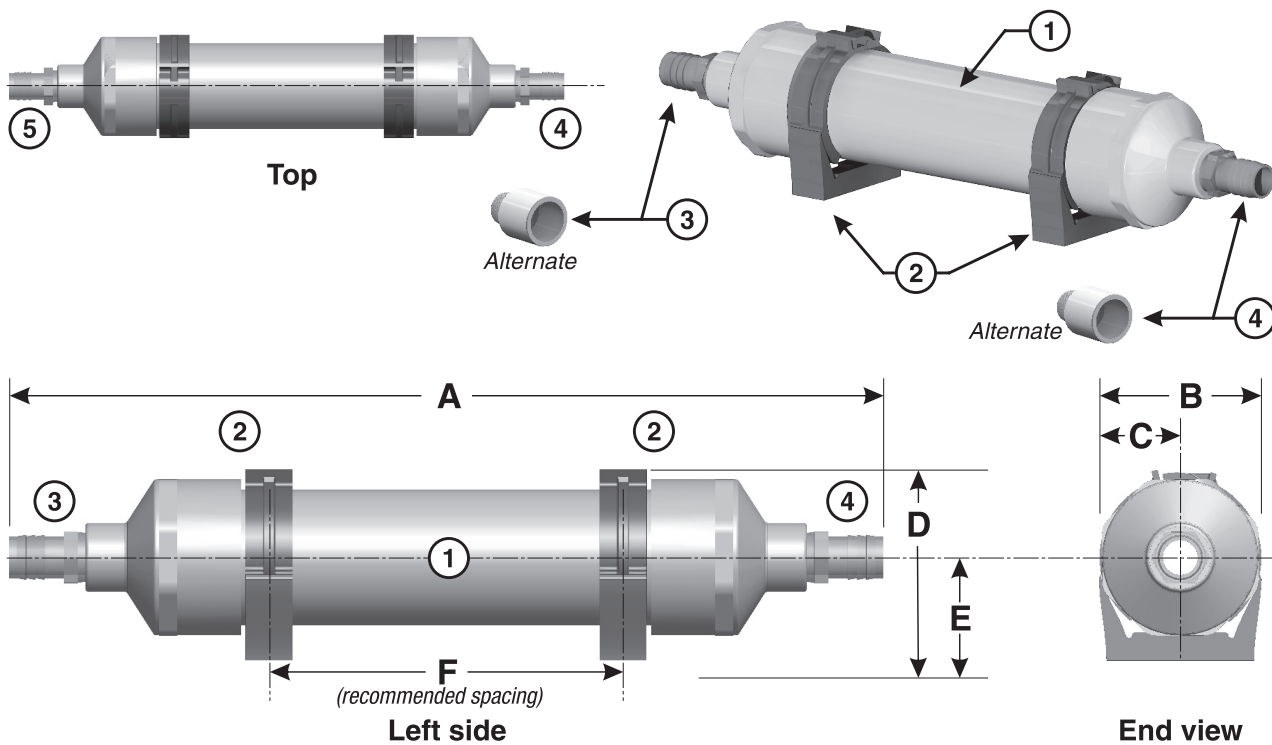
Available in opaque or clear tubing
Specify when ordering



Suggested specifications

1. The contractor shall supply and install fireside condensate neutralizing tubes for each boiler condensate drain and all flue pipe condensate drains.
2. The condensate tubes shall be designed to raise the PH level 10–30 times more towards the neutral point of the PH being discharged by the boiler or furnace.
3. The neutralizer tube or tubes shall be Model (), as manufactured by JMM Boiler Works.
4. The installing contractor shall supply all boilers/furnaces and vent condensate drains with “P-traps” and unions before the neutralizing tubes.
5. All piping shall be PVC and supplied/installed by the contractor. Plastic tubing is an acceptable alternative when used with barbed fittings and hose clamps. All PVC joints shall be glued in place and all barbed fittings shall be secured with tie wraps.
6. The boiler and flue condensate drains shall not be combined into one neutralizer. All piping shall be per manufacturer’s piping diagrams and directions. All neutralizing tubes shall be secured to the floor or wall so as not to be exposed to damage or within a normal walkway. The contractor shall fill all “P-traps” and neutralizing tubes with tap water before the firing of any boiler.
7. The contractor shall inform the owner of any maintenance or scheduled recharge of the tube’s limestone aggregate as described in the manufacturer’s I and O manual.

Figure 1 JM-series condensate neutralizing tubes — features and dimensions



| RATINGS & DIMENSIONS (in inches) | | | | | | | | |
|----------------------------------|-----|-----|------|-----|-----|-----|-------|-----|
| Model | MBH | GPH | A | B | C | D | E | F |
| JM-2 | 150 | 2 | 10 ½ | 2 ¾ | 1 ¾ | 3 ½ | 1 7/8 | 6 ½ |
| JM-3 | 300 | 2 | 19 ½ | 2 ¾ | 1 ¾ | 3 ½ | 1 7/8 | 9 ½ |

| | | |
|---|--|---------------------------------|
| 1 | PVC tubing filled with ¾" aggregate and 100% calcium carbonate | |
| 2 | Clamp-on support brackets | |
| 3 | Condensate outlet hose barb fitting | ¾" hose barb x ½" NPT — or — |
| 4 | Condensate inlet hose barb fitting | ¾" PVC x ½" NPT (both supplied) |