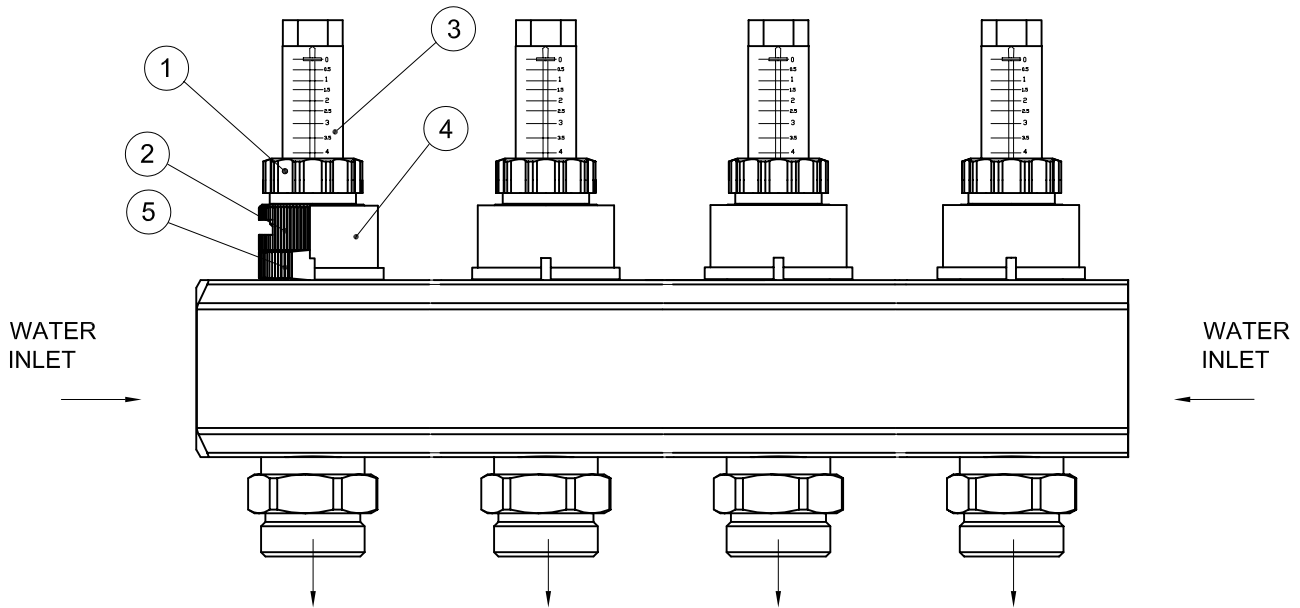


ITEM 169 MEMORY® FLOW METER



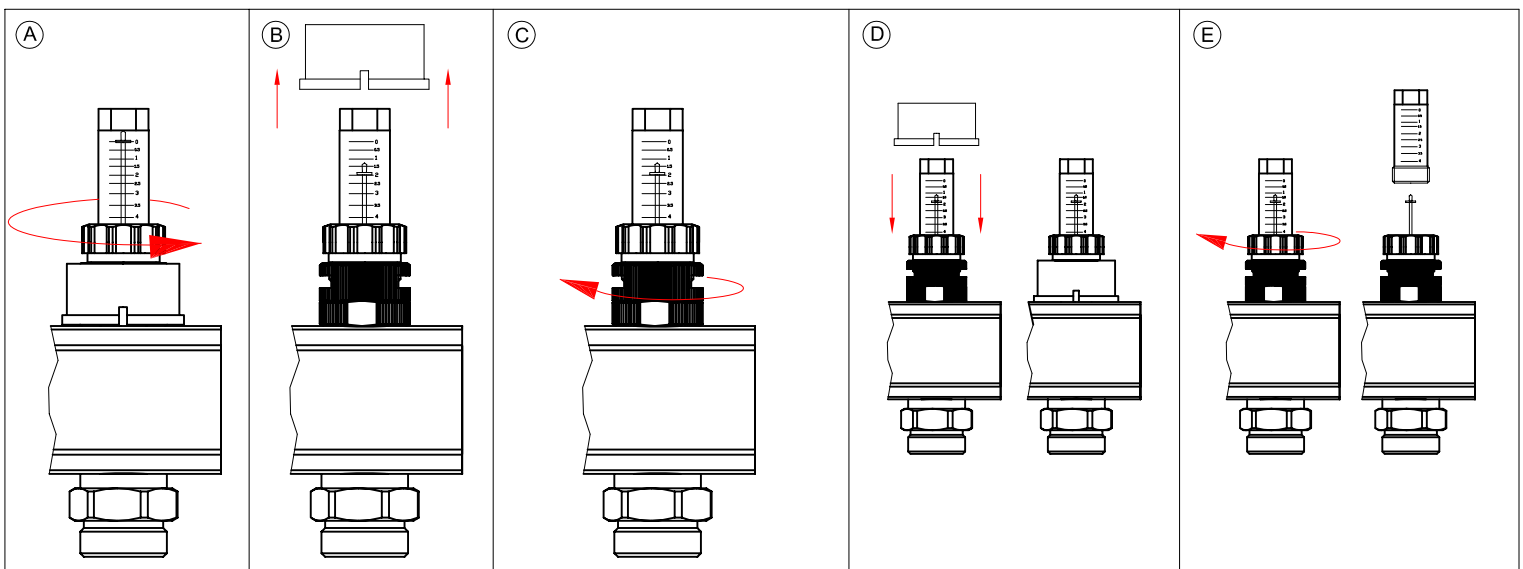
USE

ICMA is proud to present you the MEMORY® flow meter. The MEMORY® flow meter allows a perfect calibration of the water flow passing inside one under floor circuit and improve the quality of your installation, because of its high precision, even at the lowest flows

OPERATING ISTRUCTION

The MEMORY® flow meter allows to memorize the setting and to open and close the flow without loosing the setting. Please respect the following procedure to set the flow meter:

- A) Open completely the MEMORY® flow meter turning the ring number 1 anti-clockwise. The complete opening is compulsory for the precise setting
- B) Lift up the ring number 4. Now you are ready to set the flow meter.
- C) Turn the ring number 2 clockwise till when you reach the desired flow, that you can read on the scale number 3.
- D) You can lift down the ring number 4 till the ring number 5, to protect the setting you did from undesired manipulations. Now you can freely open and close the MEMORY® flow meter and you will not loose the setting you did. Just be informed that, to come back to the setting you did, you have to open totally the flow meter, by turning anti-clockwise the ring number 1. So, leave the flow meter totally open when it's in operation.
- E) If some dirtiness doesn't allow you to read the scale, you can clean the glass number 3. To do it, just close the ring number 1 clockwise, now you can screw away the glass and clean it. You can now screw the glass on and read it again. During the clean operation, don't touch the spring and the spindle, to avoid water losses.



For additional help with your ICMA manifold
 please call Giovanni Gentili Tel. +39 02 97249134
 Fax +39 02 97241550 Mobile +39 349 7137703
www.icmarubinetterie.com