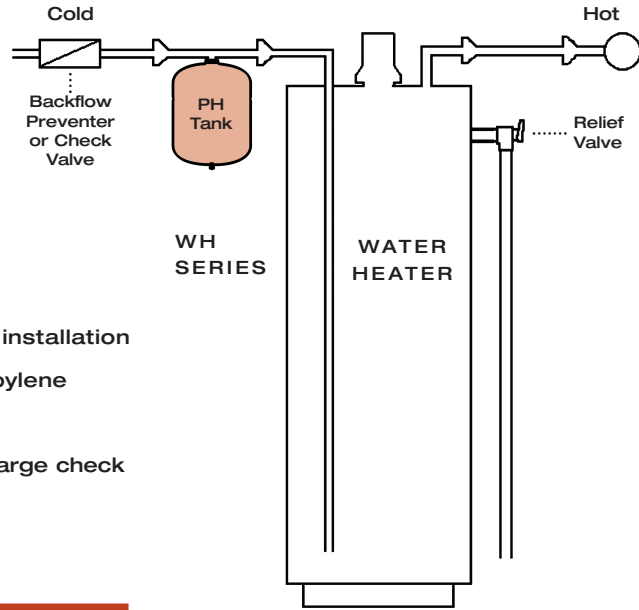




TYPICAL INSTALLATION



MATERIALS OF CONSTRUCTION

- Tank: 16 gauge cold rolled steel
- Finish: Appliance quality paint for indoor or outdoor installation
- Water chamber: 100% butyl rubber, lined with polypropylene
- Connection: Stainless Steel
- Testing: High pressure, seam weld, helium, final precharge check
- Air valve: Brass valve with o-ring seal
- Warranty: One year



DIMENSIONS & CAPACITIES

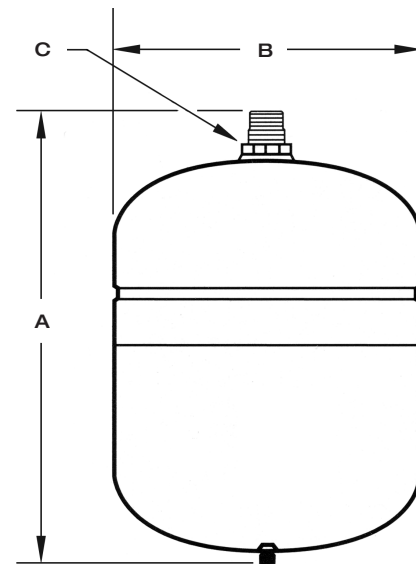
Model	Total Tank Volume		A Height		B Diameter		C Connection	Total Weight	
	gal	liters	in	cm	in	cm		lbs	kilos
PH 5	2.1	8	11.6	30.00	8.00	20.00	3/4" MNPT	5.0	2.3
PH 12	4.8	18	14.5	37.00	11.00	28.00	3/4" MNPT	10.0	4.6
PH 25	9.0	32	18.9	48.10	12.50	31.80	3/4" MNPT	15.40	7.0

Maximum working pressure 150 psig. Maximum working temperature, internal & external 200° F. Tank pre-charge 40 psig. NOTE: Ph Series tanks are certified to NSF Standard 61 Domestic Hot, but are suitable for temperatures up to 200° F.

QUICK SIZING CHART

Water Heater Size/Volume	Maximum Water Temperature			
	130° F	140° F	160° F	180° F
30 GALLONS	PH 5	PH 5	PH 5	PH 5
40 GALLONS	PH 5	PH 5	PH 5	PH 5
50 GALLONS	PH 5	PH 5	PH 5	PH 12
60 GALLONS	PH 5	PH 5	PH 5	PH 12
80 GALLONS	PH 5	PH 12	PH 12	PH 12
100 GALLONS	PH 12	PH 12	PH 12	PH 25
120 GALLONS	PH 12	PH 12	PH 12	PH 25
150 GALLONS	PH 12	PH 12	PH 25	PH 25
175 GALLONS	PH 12	PH 25	PH 25	PH 25

\* Consult Factory  
Sizing based on water heater recovery from 40F, water supply pressure of 60 PSIG, and relief valve set at 150 PSIG. Adjust tank precharge to equal incoming water pressure.



> www.flexconind.com  
 > 781-986-2424  
 > 300 Pond Street  
 > Randolph, MA 02368