

# TRONIC 6000C WH17 & WH27 Electric Tankless Water Heaters

Engineering  
Submittal  
Sheet



# BOSCH

## Overview and Certifications



## Engineering Specifications

Water heater shall be a Model TRONIC 6000C WH17 or, WH27.

Installation shall consist of \_\_\_Model TRONIC 6000C WH17 electric tankless water heaters as distributed by Bosch Thermotechnology Corp. and 97% thermal efficiency. Supply voltage shall be 240VAC (208VAC, 220VAC) with a maximum output of 17.25kW.

Installation shall consist of \_\_\_Model TRONIC 6000C WH27 electric tankless water heaters as distributed by Bosch Thermotechnology Corp. with a thermal efficiency of 97%. Supply voltage shall be 240VAC (208VAC, 220VAC) with a maximum output of 26.85kW.

The tankless water heaters shall be UL listed for the US and UPC certified.

### CONSTRUCTION

Water heater shall be electricity powered with compact tankless design for whole house operation and an efficiency rating of 97%. Primary heat exchanger shall be made from composite material and the elements shall be made from -sheathed copper. Unit shall be protected by a tough sheet metal housing. Heat exchanger shall be rated for maximum working pressure not less than 150 psig. Water heater shall be equipped with a flow turbine. Water connections for inlet and outlet shall be 3/4" NPT male. The controls shall contain an external set point temperature selector, display screen and a high temperature safety cut-out.

The controls shall not compensate for heat loss, pipe run, and other factors affecting the outlet temperature at end use. Unit shall be equipped with a flow turbine and a temperature sensor for constant output temperature. A red light shall indicate when the unit is powering one or more elements.

### INSTALLATION

All aspects of installation of Water Heater shall be in strict accordance with manufacturer's instructions. Materials shall conform to all manufacturer's recommendations including electrical connections and wiring.

Water heater piping shall be field constructed of materials as specified. Water heater shall be installed with individual isolating shutoff valves for service and maintenance.

### MODE OF OPERATION

The heater shall include integral factory wired operating controls to control all operation and energy input. Control of discharge water temperature shall be set through an internal set point with a field adjustment of 95 to 131 degrees F. Heater shall be capable of maintaining the temperature set point +/- 3 degrees F. This shall be accomplished by switching or pulsing the power to the electrical elements.



### WARRANTY

The heating modules shall carry a 5 year limited warranty. All other parts and components shall carry a 2 year limited warranty against defects in materials or workmanship.

# TRONIC 6000C WH17 & WH27 Electric Tankless Water Heaters



# BOSCH

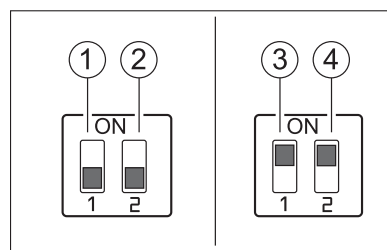
| Technical Data                   |      |   |   |
|----------------------------------|------|---|---|
| Description                      | Unit | WH17  | WH27  |
| Part number                      | -    | 7736503050  | 7736503051  |
| Voltage supply                   | VAC  | 240   | 240   |
| Amperage                         | A    | 2 x 40  | 3 x 40  |
| Maximum output                   | kW   | 17.25   | 26.85   |
| Maximum output at 220V           | kW   | 15.00   | 22.50   |
| Maximum output at 208V           | kW   | 13.00   | 20.00   |
| Minimum recommended wire size    | AWG  | 8   | 8   |
| Thermal efficiency               | %    | 97  | 97  |
| Temperature control range        | ° F  | 95 - 131  | 95 - 131  |
| Maximum inlet water temperature* | ° F  | ≤ 86  | ≤ 86  |
| Water pressure range             | psi  | 15 - 150  | 15 - 150  |
| Minimum flow rate                | GPM  | 0.6   | 0.8   |
| Inlet / Outlet connections       | Inch | ¾ NPT   | ¾ NPT   |
| Weight (without water)           | lbs  | 20  | 22  |
| Certifications                   | -    |  |  |

\* Do not use heater for water temperature boosting applications

## Display Screen

The display screen is defaulted to display set-point temperature in Imperial Units. The set-point temperature can be adjusted with use of the external set-point temperature selector.

For a licensed electrician, the display can be adjusted to display flow rate and can be changed to Metric units. These changes are made by a licensed electrician by making the appropriate adjustments on the dipswitch, as shown.



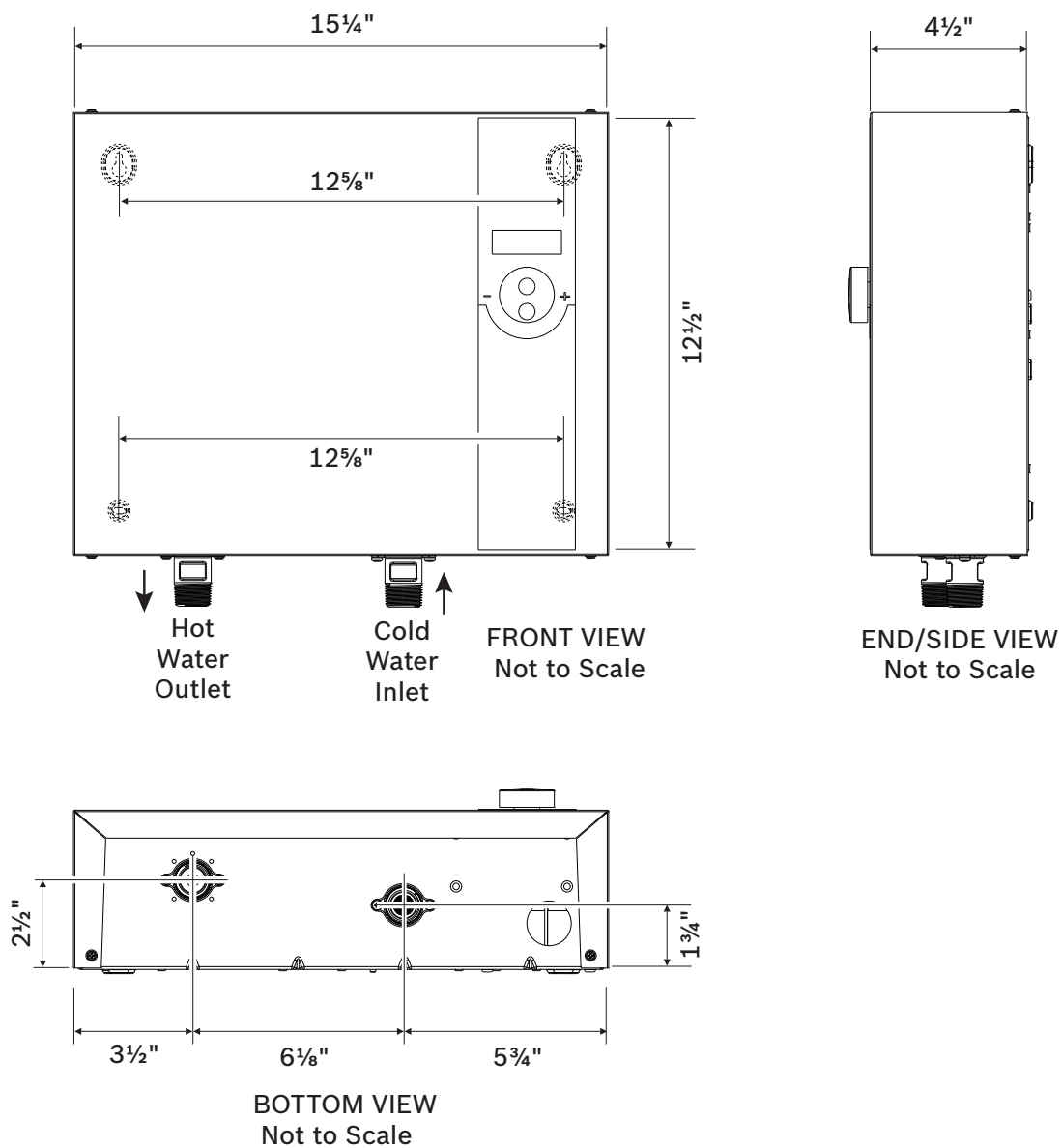
Display DIP Switch

- [1] Metric units °C & liters per min
- [2] Display Temp
- [3] American units °F & GPM
- [4] Display Flow

TRONIC 6000C WH17 & WH27  
Electric Tankless Water Heaters

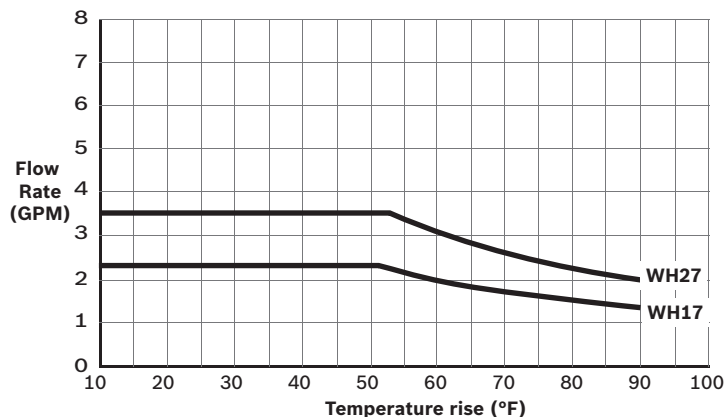


Dimensions





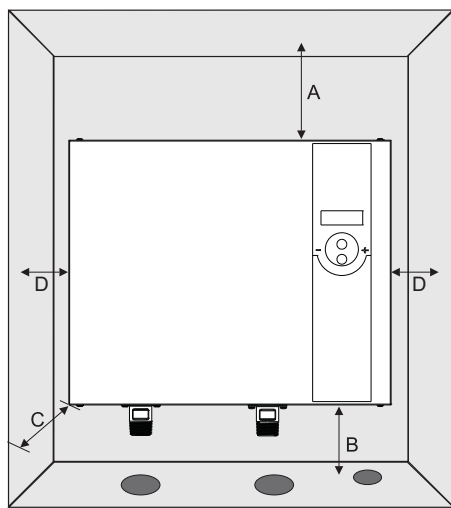
**Water Heating Capacity Curve**



**Water Heating Capacity Data**

| Temperature Rise °F | Flow Rate GPM |      |
|---------------------|---------------|------|
|                     | WH17          | WH27 |
| 35                  | 2.3           | 3.5  |
| 45                  | 2.3           | 3.5  |
| 55                  | 2.1           | 3.3  |
| 65                  | 1.8           | 2.8  |
| 75                  | 1.6           | 2.4  |
| 90                  | 1.3           | 2.0  |

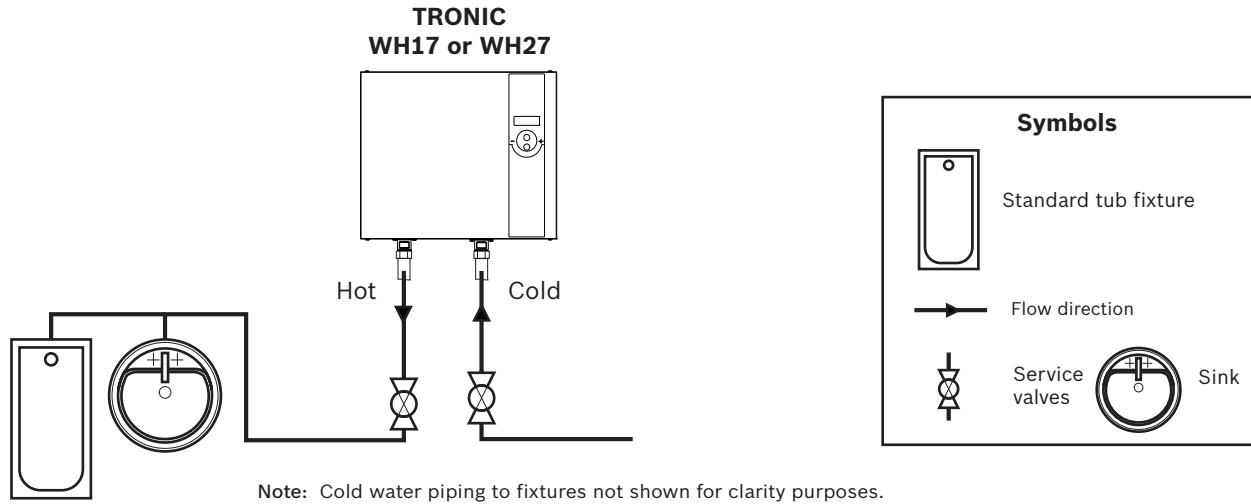
**Clearances**



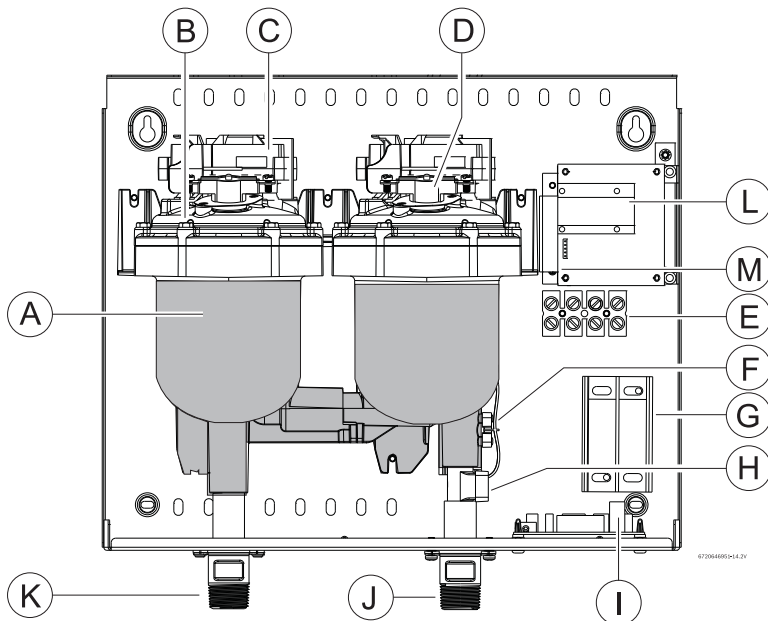
Front View

| Description        | Unit | Minimum clearance |
|--------------------|------|-------------------|
| Top clearance A    | Inch | 12                |
| Bottom clearance B | Inch | 6                 |
| Front clearance C  | Inch | 12                |
| Side clearance D   | Inch | 0                 |

**Installation Example**



**Components**



**Components Legend**

- A** Heating module
- B** Heating element assembly
- C** Heating module P.C.B's
- D** Double pole thermal cut-off (WH27)  
Single pole thermal cut-off (WH17)
- E** 6 position terminal block (WH27)  
4 position terminal block (WH17)
- F** Temperature sensor
- G** Terminal block (CANADA ONLY)
- H** Flow transducer
- I** Control PCB
- J** Cold water inlet
- K** Hot water outlet
- L** Display PCB
- M** Display DIP switch