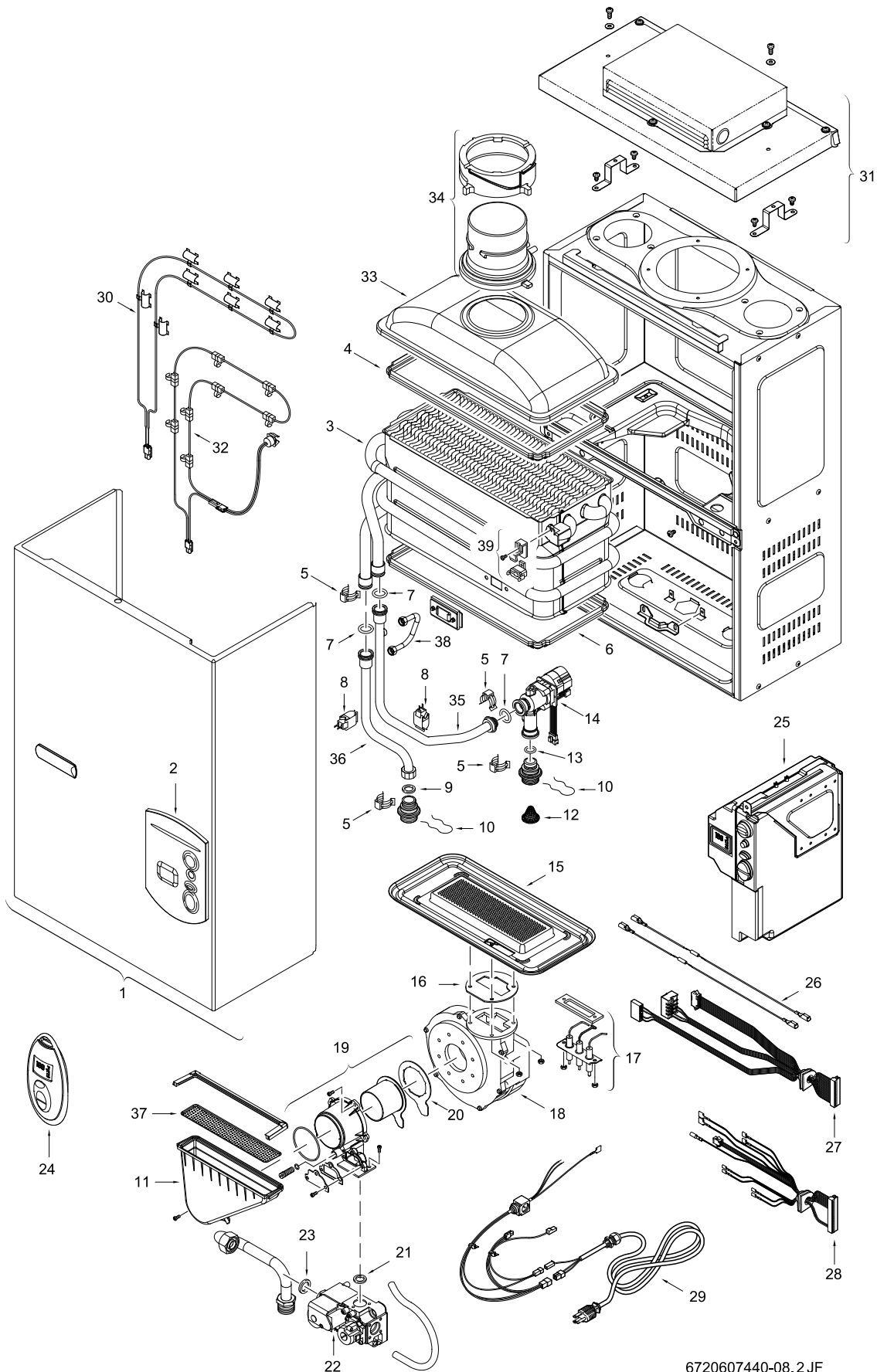


Bosch Aqustar 250SXO Please be aware that Bosch has changed Part numbers over the years. On Page 2 of this PDF - you will find part number and you can click on these to get to our site for a particular part number.

## 8.2 Components diagram



6720607440-08.2JF

Fig. 34 Components Diagram

Aquastar 250SXO Please be aware that Bosch has changed Part numbers over the years

If you don't see the part you are looking for or it is not linked to a specific page - click here to go to the Bosch Aquastar 250SXO Model Parts Page

Item	Description	Reference
1	Front cover	8 705 421 915
2	Shield	8 705 506 753
3	Heat exchanger	8 705 406 285
4	Heat exchanger top gasket	8 704 701 052
5	Clip	8 716 102 607
6	Heat exchanger bottom gasket	8 704 701 054
7	O-ring	8 700 205 147
8	Temperature sensor	8 700 400 015
9	Washer 1/2"	8 710 103 045
10	Wireform spring	8 714 606 002
11	Air inlet duct	8 705 700 097
12	Water filter	8 700 507 001
13	O-ring	8 700 205 134
14	Water valve with engine	8 708 505 016
15	Main burner	8 708 120 515
16	Fan / Burner gasket	8 704 701 050
17	Set of electrodes	8 708 107 020
18	Exhaust Fan	8 707 204 039
19	Gas / Air Mixer	8 705 700 115
20	Mixer / Fan gasket	8 704 701 059
21	Gas valve washer	8 704 701 062
22	Gas valve	8 707 021 019
23	Gas valve washer	8 700 103 014
24	Remote control	8 707 207 153
25	Control unit	8 707 207 133
26	Ignition cable	8 704 401 220
27	Cables / 24V	8 704 401 214
28	Cables	8 704 401 239
29	Power supply cord	8 704 401 268
30	Overheat cutoff fuse	8 700 400 019
31	Top vent cap	7 709 003 243
32	Freeze protection device	8 700 400 022
33	Flue gas collector	8 705 700 100
34	Flue gas collector collar	8 705 700 114
35	Cold water pipe	8 700 715 156
36	Hot water pipe	8 700 715 155
37	Air inlet screen	8 700 507 069
38	Crossover tube	8 700 715 247
39	Overheat sensor (ECO)	8 707 206 204

Table 6