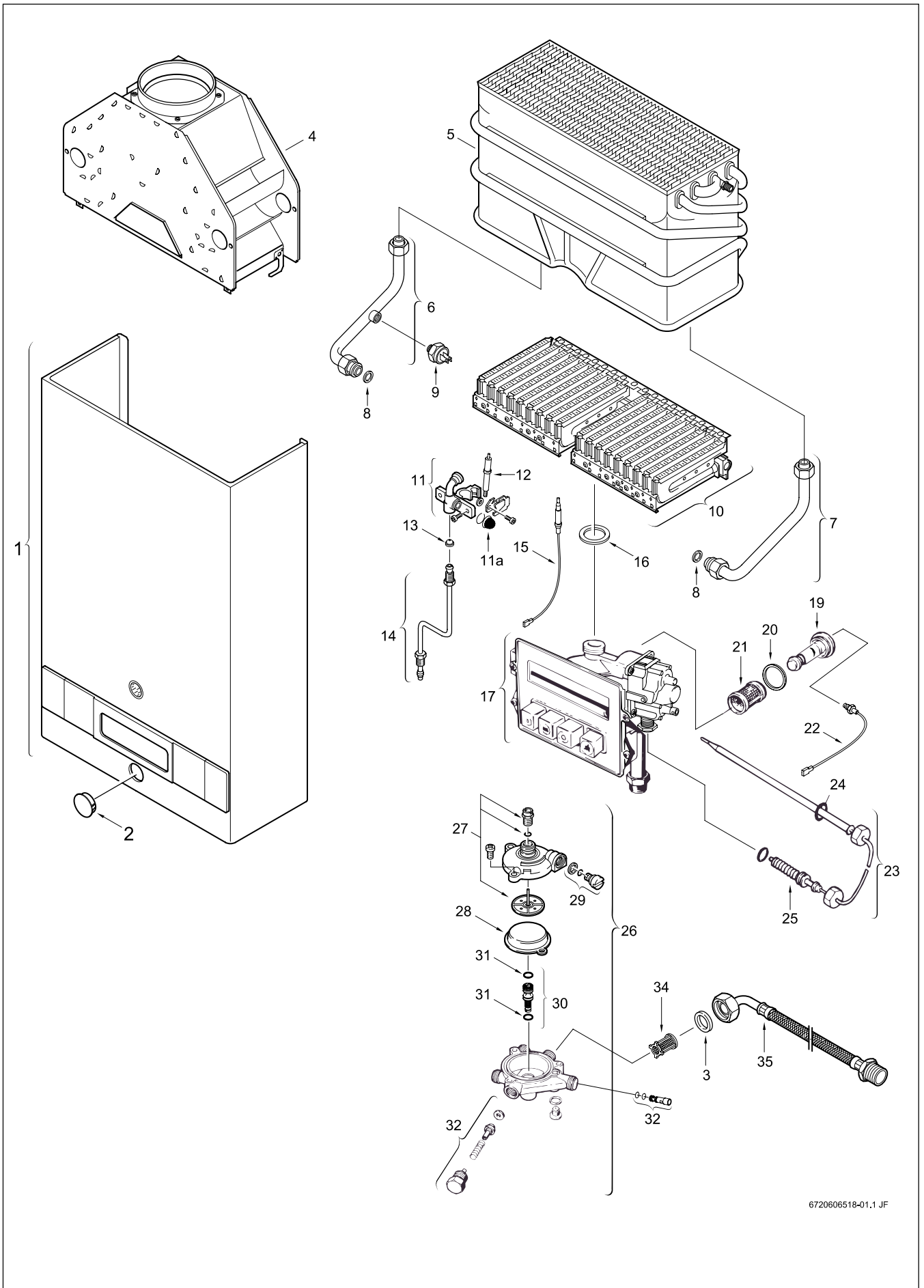


# AQ 125 BS

## Fig. 11 - INTERIOR COMPONENTS DIAGRAM AND PARTS LIST



6720606518-01.1 JF

Fig. 11

**INTERIOR COMPONENTS DIAGRAM  
AND PARTS LIST 125BS**

<b>1</b>	Cover	8 705 421 033
<b>2</b>	Cap cover	8 703 304 011
<b>3</b>	Water connection gasket	8 710 103 043
<b>4</b>	Draft divertor	8 705 505 354
<b>5</b>	Heat exchanger	8 705 406 189
<b>6</b>	Hot water pipe	8 700 705 431
<b>7</b>	Cold water pipe	8 700 705 294
<b>8</b>	Heat exchanger washer	8 710 103 045
<b>9</b>	Overheat sensor (ECO)	8 707 206 017
<b>10</b>	Main burner assembly LP	8 708 120 296
	Main burner assembly NG	8 708 120 298
<b>11</b>	Pilot burner assembly	8 708 105 337
<b>11a</b>	Pilot filter screen	8 700 507 055
<b>12</b>	Piezo electrode	8 708 107 002
<b>13</b>	Pilot orifice NG	8 708 200 005
	Pilot orifice LP	8 748 200 173
<b>14</b>	Pilot Tube	8 710 707 166
<b>15</b>	Thermocouple	8 747 202 083
<b>16</b>	Burner assembly washer	8 710 103 060
<b>17</b>	Gas valve LP	8 707 011 467
	Gas valve NG	8 707 011 469
<b>18</b>	Gas supply pipe	8 700 705 464
<b>19</b>	Electromagnet	8 747 201 094
<b>20</b>	Electromagnet washer	8 700 103 144
<b>21</b>	Gas filter	8 700 507 051
<b>22</b>	Thermocable	8 747 202 078
<b>23</b>	Thermostat	8 707 206 039
<b>24</b>	O ring Thermostat	8 700 205 101
<b>25</b>	O ring Thermostat	8 700 205 041
<b>26</b>	Water valve assembly	8 707 002 393
<b>27</b>	Water valve repair kit	8 703 406 204
<b>28</b>	Water valve diaphragm	8 700 503 050
<b>29</b>	Slow ignition valve	8 708 503 062
<b>30</b>	Water valve setting screw	8 703 404 092
<b>31</b>	O ring setting screw	8 700 205 050
<b>32</b>	Water valve venturi	8 708 205 235
<b>33</b>	Water valve piston assembly	8 708 500 230
<b>34</b>	Water inlet filter	8 700 507 059
<b>35</b>	Water elbow fitting	8 700 703 114