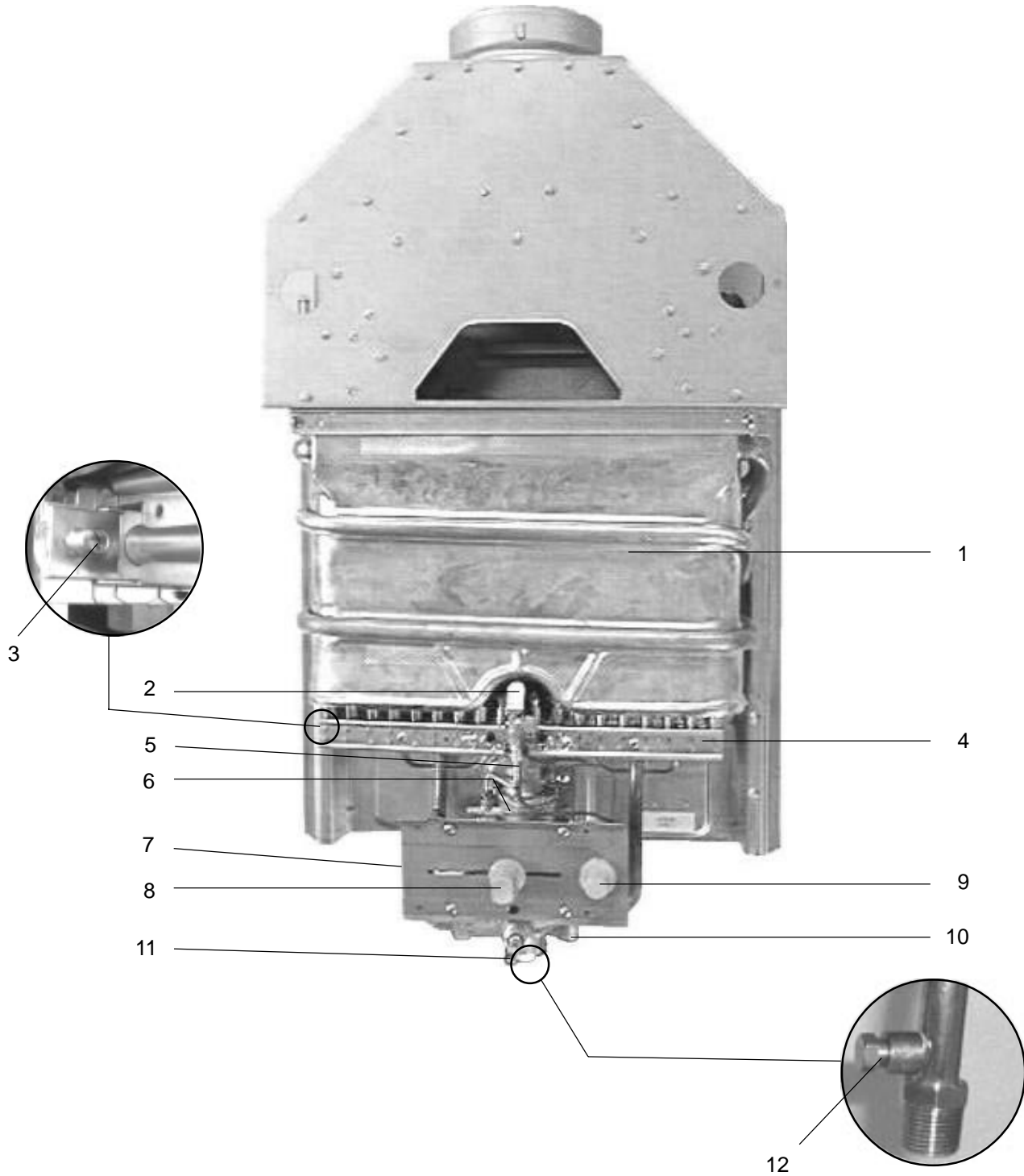
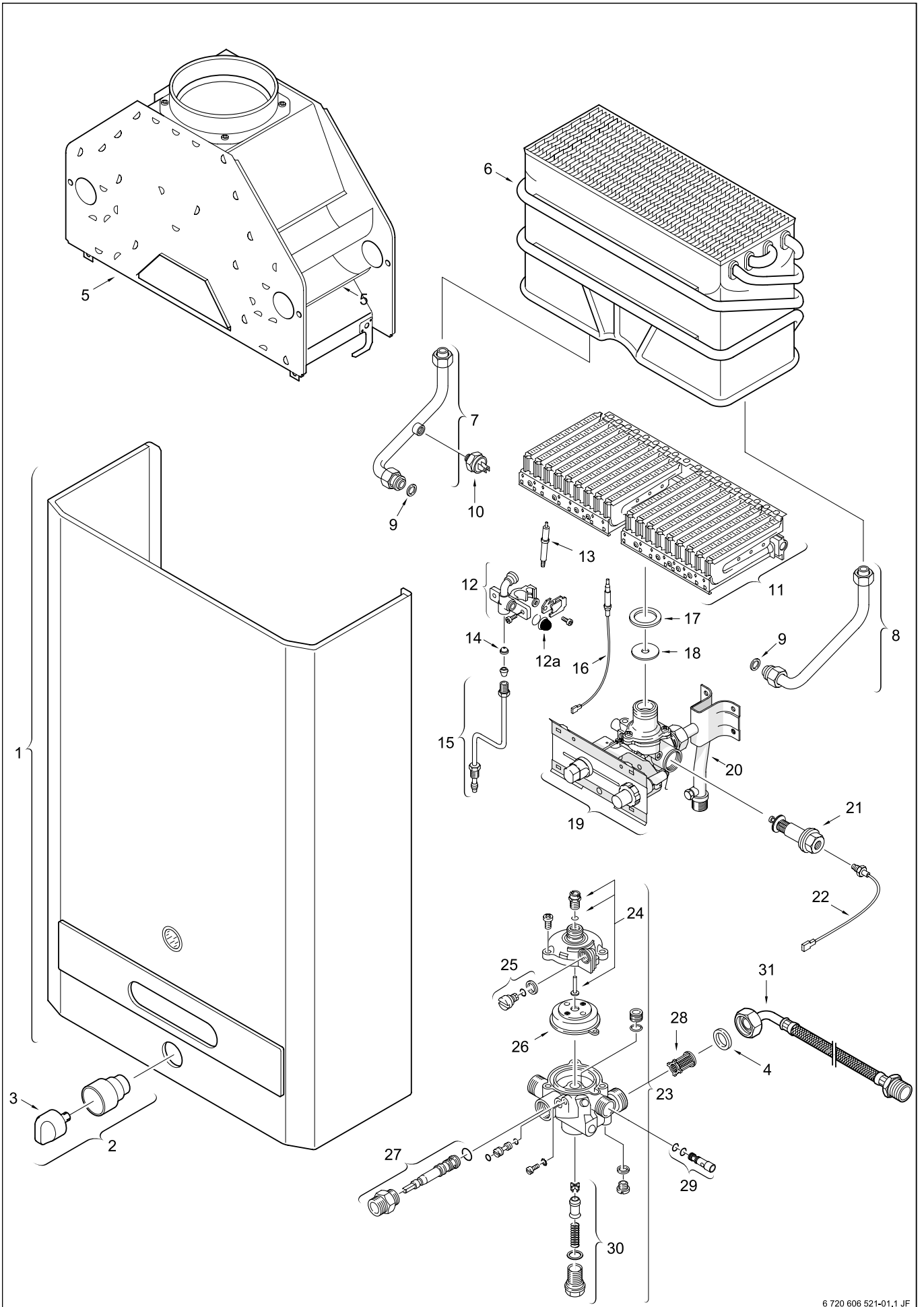


Bosch Aqustar 125B - for models built before January 2003. But, some of these parts will work for models built after February 2003 too! Please be aware that Bosch has changed Part numbers over the years.



- |   |  |
|---|--|
| 1. Heat exchanger                           | 8. Gas control slide                   |
| 2. Pilot assembly                           | 9. Piezo igniter                       |
| 3. Burner manifold gas pressure test nipple | 10. Water valve                        |
| 4. Main gas burner                          | 11. Temperature adjustment selector    |
| 5. Pilot gas tubing                         | 12. Gas inlet gas pressure test nipple |
| 6. Gas valve                                |  |
| 7. Pressure tap screw location              |  |

**Fig. 12 - INTERIOR COMPONENTS DIAGRAM AND PARTS LIST**



6 720 606 521-01.1 JF

Bosch Aquastar 125B - for models built before January 2003. Many of these parts will also work on newer 125B built after February 2003 as well as other Bosch 125 Series. Be aware that Bosch has changed their part numbers over the years - so these part numbers may be old - but click on the part number and it will take you to that part on our site. Be careful when selecting parts and make sure you have the correct part

If you don't see the part you are looking for or it is not linked to a specific page - click here to go to the Bosch Aquastar 125FX Older Model Parts Page

<b>1</b>	Cover	☒	8 705 421 025
<b>2</b>	Temperature adjustment knob comp.	☒	8 702 000 219
<b>3</b>	Temperature adjustment knob	☒	8 702 000 111
<b>4</b>	Water connections gasket	☒	8 710 103 043
<b>5</b>	Draft divertor	☒	8 705 505 354
<b>6</b>	Heat exchanger	☒	8 705 406 235
<b>7</b>	Hot water pipe	☒	8 700 705 556
<b>8</b>	Cold water pipe	☒	8 700 705 294
<b>9</b>	Heat exchanger washer	☒	8 710 103 045
<b>10</b>	Overheat sensor (ECO)	☒	8 707 206 040
<b>11</b>	Main burner assembly	LPG	8 708 120 296
	Main burner assembly	NG	8 708 120 298
<b>12</b>	Pilot burner assembly	☒	8 708 105 337
<b>12a</b>	Pilot air screen	☒	8 700 507 055
<b>13</b>	Piezo electrode	☒	8 708 107 002
<b>14</b>	Pilot orifice	NG	8 708 200 005
	"	LPG	8 748 200 173
<b>15</b>	Pilot Tube	☒	8 700 707 320
<b>16</b>	Thermocouple	☒	8 747 202 083
<b>17</b>	Burner assembly washer	☒	8 710 103 060
<b>18</b>	Throttle disc	LPG	8 700 100 174
<b>19</b>	Gas valve	LPG	8 707 011 463
	Gas valve	NG	8 707 011 459
<b>20</b>	Gas supply pipe	☒	8 700 705 552
<b>21</b>	Electromagnet	☒	8 707 201 012
<b>22</b>	Thermocable	☒	8 747 202 209
<b>23</b>	Water valve assembly	☒	8 707 002 499
<b>24</b>	Water valve repair kit	☒	8 703 406 178
<b>25</b>	Slow ignition valve	☒	8 708 503 063
<b>26</b>	Water valve diaphragm	☒	8 700 503 053
<b>27</b>	Water valve selector screw assembly	☒	8 708 500 251
<b>28</b>	Water inlet filter	☒	8 700 507 059
<b>29</b>	Water valve venturi	☒	8 708 205 249
<b>30</b>	Water valve water governor	☒	8 707 402 021
<b>31</b>	Water elbow fitting	☒	8 700 703 114