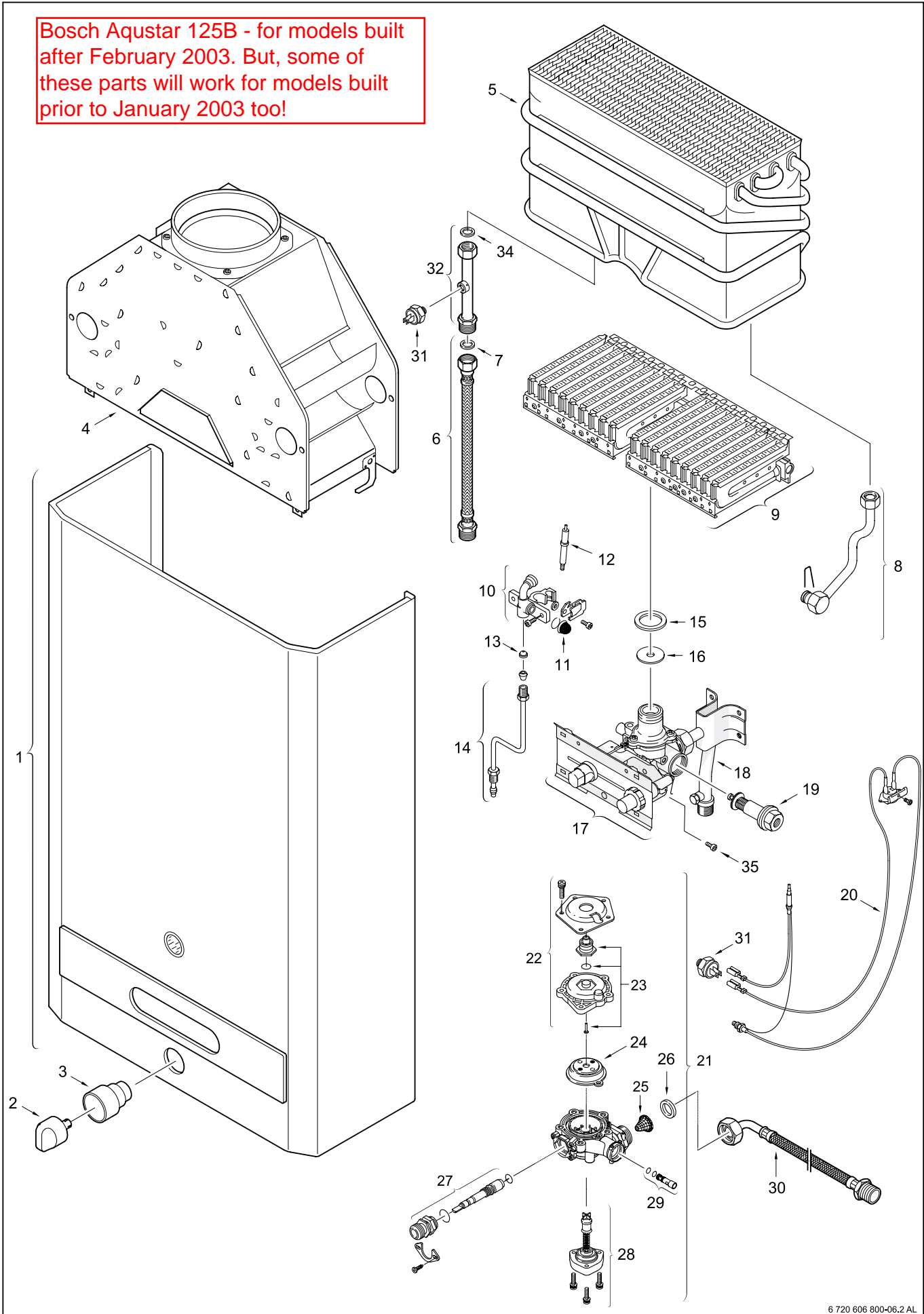


Fig. 13 - INTERIOR COMPONENTS DIAGRAM AND PARTS LIST

Bosch Aqustar 125B - for models built after February 2003. But, some of these parts will work for models built prior to January 2003 too!



6 720 606 800-06.2 AL

Bosch Aqustar 125B - for models built after February 2003. Many of these parts will also work on older 125B built before January 2003 as well as other Bosch 125 Series. Be aware that Bosch has changed their part numbers over the years - so these part numbers may be old - but click on the part number and it will take you to that part on our site. Be careful when selecting parts and make sure you have the correct part

INTERIOR COMPONENTS DIAGRAM AND PARTS LIST 125B

1	Cover	8 705 421 025
2	Temperature adjustment knob	8 702 000 111
3	Temperature adjustment collar	8 700 403 008
4	Draft diverter	8 705 505 354
5	Heat exchanger	8 705 406 235
6	Outlet flex hose	8 700 703 130
7	Washer	8 700 103 658
8	Cold water pipe	8 700 705 627
9	Main burner	8 708 120 298 NG
9	Main burner	8 708 120 296 LP
10	Pilot burner	8 718 105 051
11	Pilot air screen	8 700 507 055
12	Piezo electrode	8 708 107 002
13	Pilot injector	8 708 200 005 NG
13	Pilot injector	8 748 200 173 LP
14	Pilot tube	8 700 707 320
15	Burner assembly washer	8 710 103 060
16	Throttle disc	8 700 100 174 LP
17	Gas valve	8 707 021 090 NG
17	Gas valve	8 707 021 091 LP
18	Gas supply pipe	8 700 705 552
19	Electromagnet	8 707 201 012
20	Thermocouple / Flue Gas Sensor	8 707 206 074
21	Water valve	8 707 002 649
22	Water valve cover	8 705 500 101
23	Pushrod	8 700 306 114
24	Diaphragm	8 700 503 053
25	Water inlet filter	8 700 507 001
26	Water connection gasket	8 710 103 043
27	Water valve selector screw	8 708 500 289
28	Volumetric water governor	8 705 705 009
29	Venturi	8 708 205 279
30	Water elbow fitting	8 700 703 114
31	Overheat sensor (ECO)	8 707 206 040
32	Connecting pipe hot	8 700 715 178
34	Washer	8 710 103 045
35	Water valve set screw	8 703 401 051