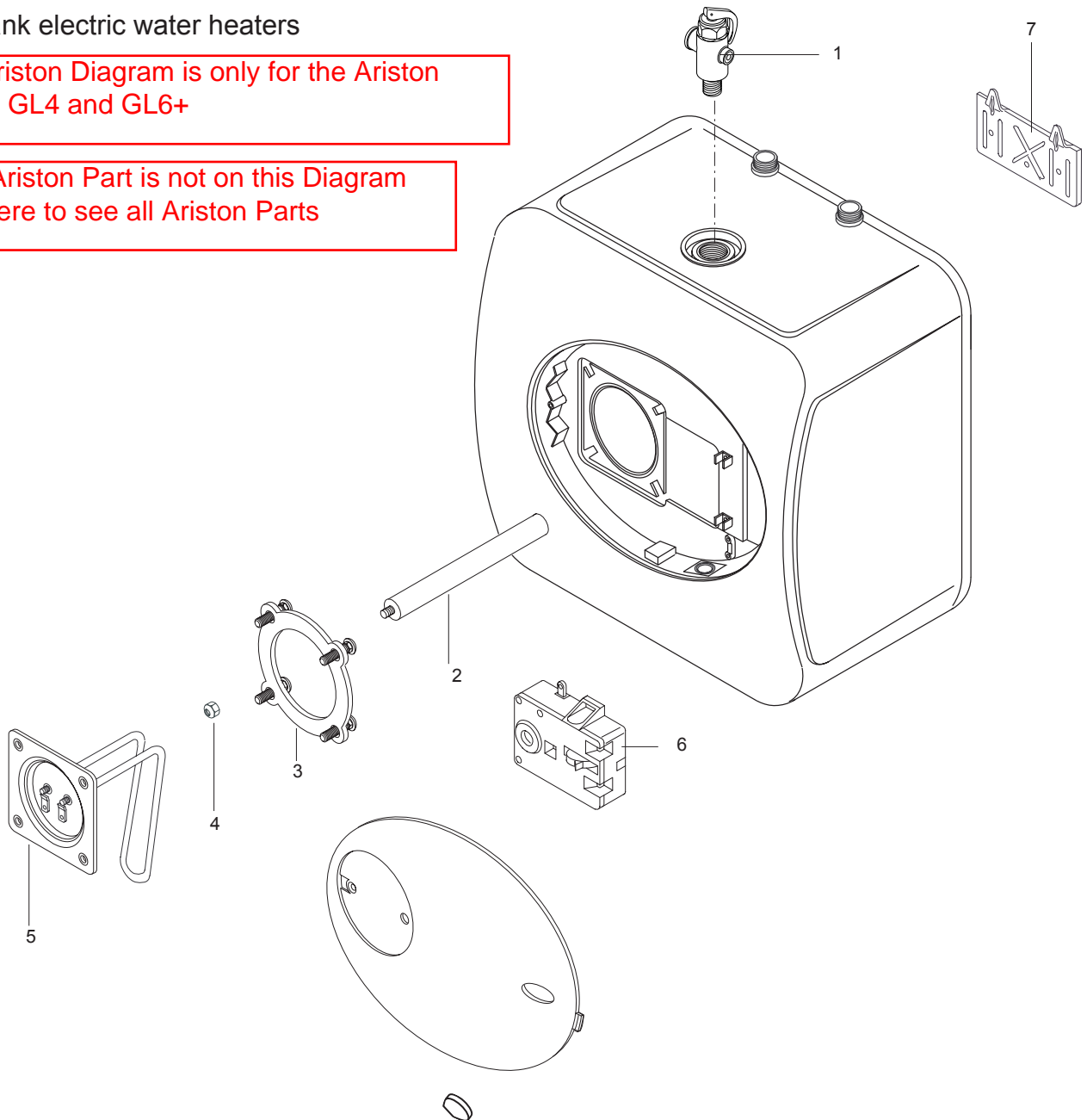


This Ariston Diagram is only for the Ariston GL2.5, GL4 and GL6+

If the Ariston Part is not on this Diagram click here to see all Ariston Parts



Ariston Part Numbers have changed over the years - the part numbers on this PDF are the old ones. Click to see what product they go with - as these parts do not work for all Ariston Models

## ARISTON INTERIOR COMPONENTS DIAGRAM GL 2.5, 4, 4 CA, 6+

DESCRIPTION	REF.	PART	CODE	DESCRIPTION	REF.
GL 2.5	A	1	100XL	VALVE (T&P 3/4")	ABC
GL 4 - GL4CA	B	2	570241	ANODE (MAGNESIUM)	C
GL 6+	C	2	574305	ANODE (MAGNESIUM)	AB
		3	994147	GASKET WITH 4 BOLTS	ABC
		4	994140	LOCK NUT M6	ABC
		5	994103	HEATING ELEMENT (1500/120)	AB
		5	994104	HEATING ELEMENT (1500/120)	C
		6	65150322	WIRED THERMOSTAT	AB
		6	65105602	WIRED THERMOSTAT	C
		7	570341	HEATER WALL HANGING BRACKET	C