

## BRAZED PLATE HEAT EXCHANGER SELECTION



2899 Portland Drive  
Oakville, ON L6H 5S4  
Tel (905) 829 4666  
Fax: (905) 829 4646



### Snow melt

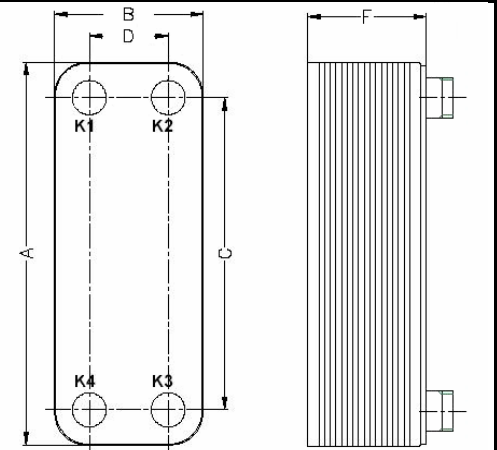
Hot side	Boiler water	180°F ⇒ 150°F
Cold side	40% ethylene glycol	100°F ⇒ 130°F

Pressure Drop of 10ft of Water or less  
LC110Y models have significantly lower pressure drops than LC110X models

GPM		Model			BTU/h
Hot side	Cold side	LA14	LB31	LC110-X	
1.7	1.9	LA14-10	LB31 - 10	-	25,000
2.8	3.0	LA14-10	LB31 - 10	-	40,000
3.4	3.7	LA14-10	LB31 - 10	-	50,000
4.1	4.5	LA14-20	LB31 - 10	-	60,000
5.2	5.6	LA14-20	LB31 - 20	-	75,000
6.2	6.7	LA14-20	LB31 - 20	-	90,000
6.9	7.4	LA14-20	LB31 - 20	-	100,000
8.6	9.3	LA14-20	LB31 - 20	LC110 - 20X	125,000
9.6	10.4	LA14-30	LB31 - 20	LC110 - 20X	140,000
10.3	11.1	LA14-30	LB31 - 30	LC110 - 20X	150,000
12.0	13.0	LA14-40	LB31 - 30	LC110 - 20X	175,000
13.8	14.9	LA14-50	LB31 - 30	LC110 - 20X	200,000
17.2	18.6	-	LB31 - 40	LC110 - 30X	250,000
20.6	22.3	-	LB31 - 50	LC110 - 30X	300,000
24.1	26.0	-	LB31 - 60	LC110 - 30X	350,000
27.5	29.7	-	LB31 - 80	LC110 - 40X	400,000
30.9	33.4	-	LB31 - 100	LC110 - 40X	450,000
34.4	37.1	-	-	LC110 - 50X	500,000
37.8	40.8	-	-	LC110 - 50X	550,000
41.2	44.5	-	-	LC110 - 60X	600,000
44.7	48.3	-	-	LC110 - 60X	650,000
Connections FNPT		¾"	1"	1½"	
Plate dimensions		3" x 7.5"	5" x 12"	10" x 20"	

### Default Nozzle Placement

- K1 – Hot Side INLET
- K2 – Cold Side OUTLET
- K3 – Cold Side INLET
- K4 – Hot Side OUTLET



Heat Exchanger Type	Dimensions (in)					Plate Area (sq.ft.)
	A	B	C	D	F	
LA14	7.6	3.1	6.1	1.6	0.39+0.009NP	0.13
LB31	12.0	5.0	9.8	2.8	0.49+0.09NP	0.34
LC110X	20.9	9.8	17.9	6.9	0.51+0.09NP	1.22
LC110Y	20.6	9.5	16.9	5.8	0.53+0.11NP	1.12

NP = number of plates

### Standard Construction:

Plates & Connections: AISI 316  
Brazing Material: Copper (Optional-Nickel)  
Single Wall Plates (Optional-Double Wall)

### Design Parameters:

Working Pressure up to 481 PSI  
Working Temperature up to 445° F

All charts are to be used for reference only. For any sizing information contact your AIC Sales Rep at 905-829-4666