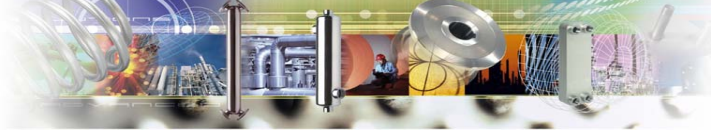


BRAZED PLATE HEAT EXCHANGER SELECTION



2300 Bristol Circle, Unit 4
Oakville, ON L6H 5S3
Tel (905) 829 4666
Fax: (905) 829 4646



Wood Stove

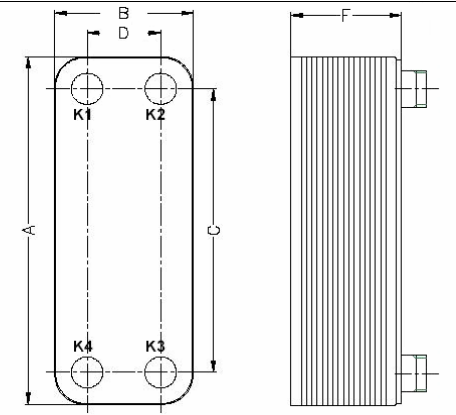
Hot side	Boiler water	200°F ⇒ 180°F
Cold side	Water	160°F ⇒ 180°F

Pressure Drop of 20ft of Water or less

BTU/h	GPM		Model		
	Hot side	Cold side	LA14	LB31	LC110-X
50,000	5.2	5.1	LA14-20	-	-
75,000	7.8	7.7	LA14-30	-	-
100,000	10.4	10.2	LA14-30	-	-
125,000	12.9	12.8	LA14-30	-	-
150,000	15.5	15.4	LA14-40	-	-
175,000	18.1	17.9	LA14-50	-	-
200,000	20.7	20.5	-	LB31-30	-
225,000	23.3	23.0	-	LB31-40	-
250,000	25.9	25.6	-	LB31-50	-
275,000	28.5	28.2	-	LB31-50	-
300,000	31.1	30.7	-	LB31-60	-
350,000	36.2	35.8	-	LB31-70	-
400,000	41.4	41.0	-	LB31-80	-
450,000	46.6	46.1	-	-	LC110-40X
500,000	51.8	51.2	-	-	LC110-50X
	Connections NPT		¾"	1"	1½"
	Plate dimensions		3" x 7.5"	5" x 12"	10" x 20"

Default Nozzle Placement

- K1 – Hot Side INLET
- K2 – Cold Side OUTLET
- K3 – Cold Side INLET
- K4 – Hot Side OUTLET



Heat Exchanger Type	Dimensions (in)	
	A	B
LA14	7.6	3.1
LB31	12.0	5.0
LC110X	20.9	9.8

NP = number of plates

Standard Construction:

Plates & Connections: AISI 316
 Brazing Material: Copper (Optional-Nickel)
 Single Wall Plates (Optional-Double Wall)

Design Parameters:

Working Pressure up to 481 PSI
 Working Temperature up to 445° F

All charts are to be used for reference only. For any sizing information contact your AIC Sales Rep at 905-829-4666