

CK & CKT Wall Mounted Electric Fan Heaters

Anywhere quick heat is needed

Ideal for new construction and renovation projects. For bathrooms, kitchens, bedrooms, hallways, playrooms and garages

- Elegant surface-mount design
- Quality construction
- Quiet operation
- Built-in thermostat for maximum room comfort
- Convenient 60 minute timer (CKT)



STIEBEL ELTRON
Simply the Best

TOLL FREE **800.582.8423**

www.stiebel-eltron-usa.com

info@stiebel-eltron-usa.com


C LISTED US
For U.S. and Canada

ISO 9001
CERTIFIED

A breath of fresh air in electric heater design !

The Stiebel Eltron CK Electric Fan Heater offers an exciting room heating alternative for new construction and renovation projects. This unit is an ideal replacement for recess-mount heaters.

The new CKT extends the already impressive list of features by adding a 60 minute timer. Set up to an hour of high-output heat to quickly warm a room. When the timer goes off, the CKT will use the previous thermostat settings to make sure your room stays the temp you want !

**Perfect for
both retrofit
and new
construction.**

Four models are available:

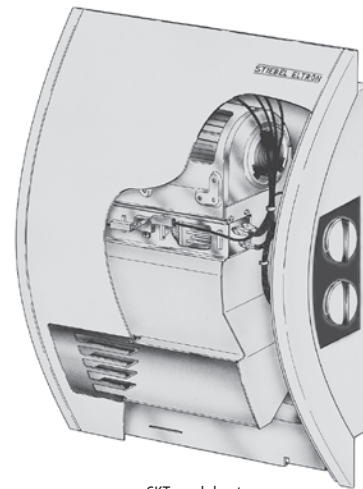
- CK 15E - 120V / 1500 Watts
- CK 20E - 240V / 2000 Watts or 208V / 1500 Watts

With 60 minute timer:

- CKT 15E - 120V / 1500 Watts
- CKT 20E - 240V / 2000 Watts or 208V / 1500 Watts

CK/CKT Heater Engineering Data Specifications are subject to change without notice.

Model	CK / CKT 15E	CK / CKT 20E at 208V	CK / CKT 20E at 240V
Part number	074058 / 230345	074059 / 230346	074059 / 230346
Voltage V	120	208	240
Wattage kW	1.5	1.5	2.0
Amperage A	12.5	7.2	7.5
Minimum circuit breaker size A	15	15	15
Recommended wire size AWG	12	14	14
Heating element	nichrome wire		
Thermostat	bimetal type		
High limit	bimetal type		
Motor	18 Watt shaded pole		
Blower	galvanized steel, squirrel cage type		
Dimensions	18 1/8" (height) x 13 1/4" (width) x 4 3/4" (depth)		
Dimensions, metric	460mm (height) x 335mm (width) x 123mm (depth)		
Weight	8.0 lb - 4.4 KG		
Housing	Painted steel/plastic		
Temperature range	41-86°F (5-30°C)		
Frost protect setting	45°F (7°C)		
Operating noise	53 dB(a)		



CKT model cutaway

www.stiebel-eltron-usa.com

Limited Warranty:

Residential & Commercial Warranty: Stiebel Eltron warrants to the original owner that the CK/CKT 15E and CK/CKT 20E will be free from defects in workmanship and materials for a period of three years from the date of purchase. Should any part(s) prove to be defective under normal use during this period, Stiebel Eltron, Inc. will be responsible for replacement of the defective part(s) only. Stiebel Eltron, Inc. is not responsible for labor charges to remove and/or replace the defective part(s), or any incidental or consequential expenses. Should the owner wish to return the wall heater for repair, the owner must first secure written authorization from Stiebel Eltron, Inc. The owner shall be required to show proof of purchase date, and to pay all transportation costs to return the defective part(s) or wall heater for repair or replacement. Warranty is void if heater has been installed or used improperly or if design has been altered in any way.

STIEBEL ELTRON

17 West Street
West Hatfield, MA 01088
TOLL FREE 800.582.8423
FAX 413.247.3369
E-MAIL: info@stiebel-eltron-usa.com

Distributed by: