

HZ42 ST Gas Fireplace

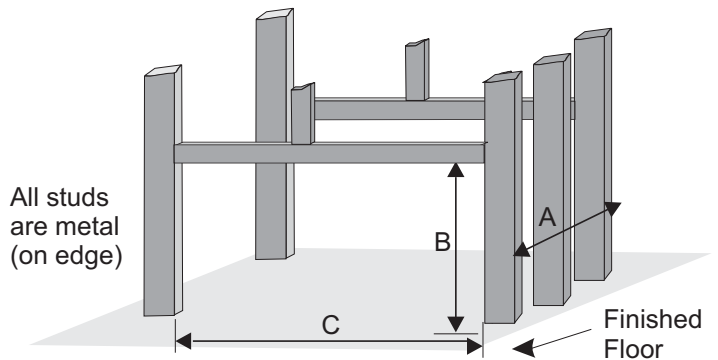
Model	HZ42 ST-NG	HZ42 ST-LP
Fuel Type	Natural Gas	Propane Gas
Minimum Supply Pressure	5" W.C. (1.25 kPa)	12" W.C. (2.98 kPa)
Manifold Pressure - High	3.5" W.C. (0.87 kPa)	10" W.C. (2.49 kPa)
Manifold Pressure - Low	1.6" W.C. (0.40 kPa)	6.4" W.C. (1.59 kPa)
Orifice Size	#40 DMS	#53 DMS
Minimum Input Altitude 0-4500 ft. (0-1372m)	17,500 BTU/h (5.13 kW)	19,500 BTU/h (8.79kW)
Maximum Input Altitude 0-4500 ft. (0-1372m)	26,000 BTU/h (7.62 kW)	24,500 BTU/h (10.84 kW)
Vent Sizing	4" Inner / 6-5/8" Outer	4" Inner / 6-5/8" Outer

Approved Venting Systems	
Flex Vent Systems:	FPI AstroCap™ Flex Vent
Rigid Pipe Vent Systems:	Simpson Direct Vent Pro® Selkirk Direct-Temp™ Metal-Fab® Sure Seal ICC Excel

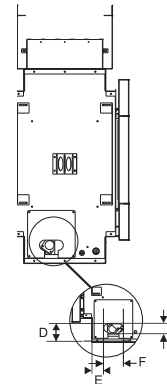
Unit Dimensions:

Unit Dimensions	Description	HZ42 ST
A	Firebox Width (including standoffs)	48-11/16"
B	Firebox Width (excluding standoffs)	41-3/16"
C	Firebox Height (excluding standoffs)	28-5/8"
D	Firebox Height (including standoffs)	36-1/2"
E	Fireplace Opening Width	38"
F	Firebox Height to Top Vent Termination	30-13/16"
G	Firebox Depth (including standoffs)	18-7/8"
H	Fireplace Opening Height from Bottom Opening to Top Opening	12-7/8"
I	Fireplace Opening Height from Unit Base to Bottom Opening	4-7/16"
J	Depth from Opening to Side Front Edge	1-1/2"

Framing Dimensions	
HZ42 ST	
A	15" (381mm) minus combined thickness of finishing material on both faces
B	36-3/4" (933mm)
C	50" (1270mm) Horizontal or Vertical
D	4-1/2" (114mm)
E	2-7/8" (73mm)
F	4-5/8" (117mm)
G	2" (51mm)

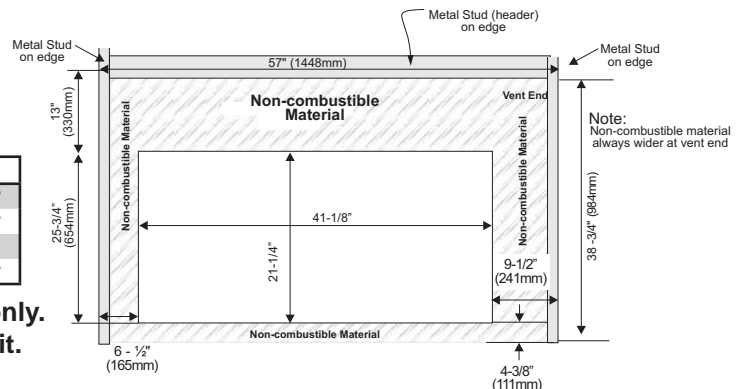


Note: All studs on top and sides of unit must be on edge.

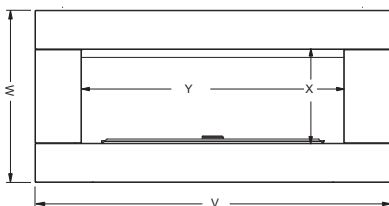


Note: Gas hookup is on vent side of unit.

Non-Combustible Requirements:



Faceplate & Door Frame Dimensions:



Dimensions	Description	HZ42
V	Faceplate Width	48-3/4"
W	Faceplate Height	23-5/8"
X	Viewing Area Height	36"
Y	Viewing Area Width	12-7/8"

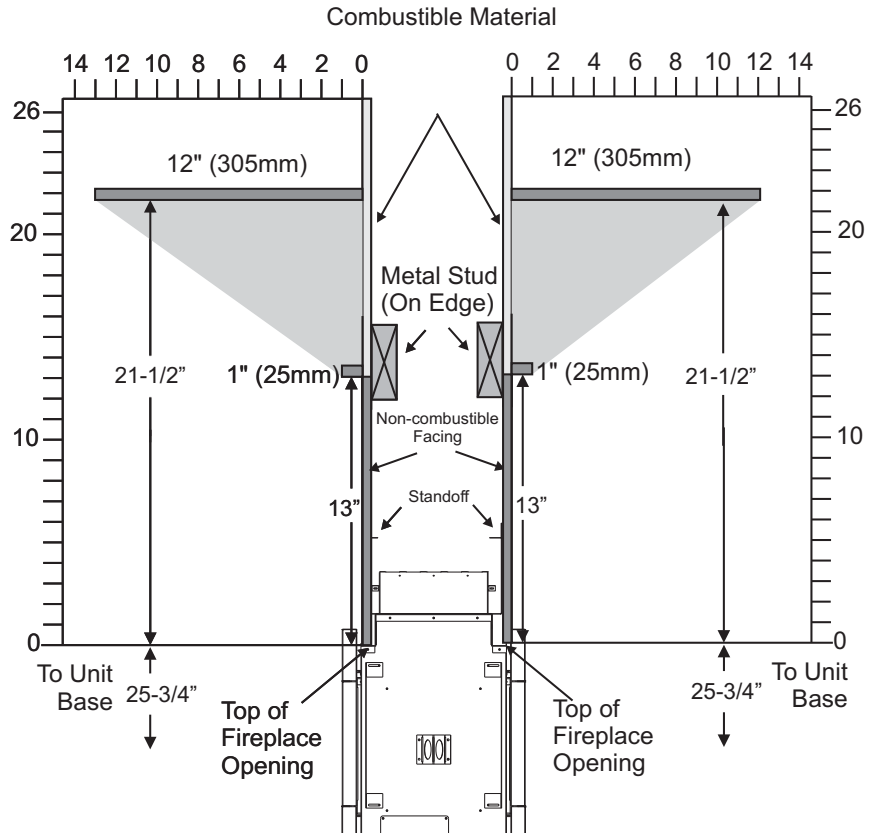
This manual is intended to be a Sales Reference Guide only. Do NOT use for actual framing and installation of any unit. Some specifications may change without notice. You must use the actual manual for exact installation specifications.

MANTEL CLEARANCES

Due to the extreme heat this fireplace emits, the mantel clearances are critical. Combustible mantel clearances from top of front facing are shown in the diagram on the right.

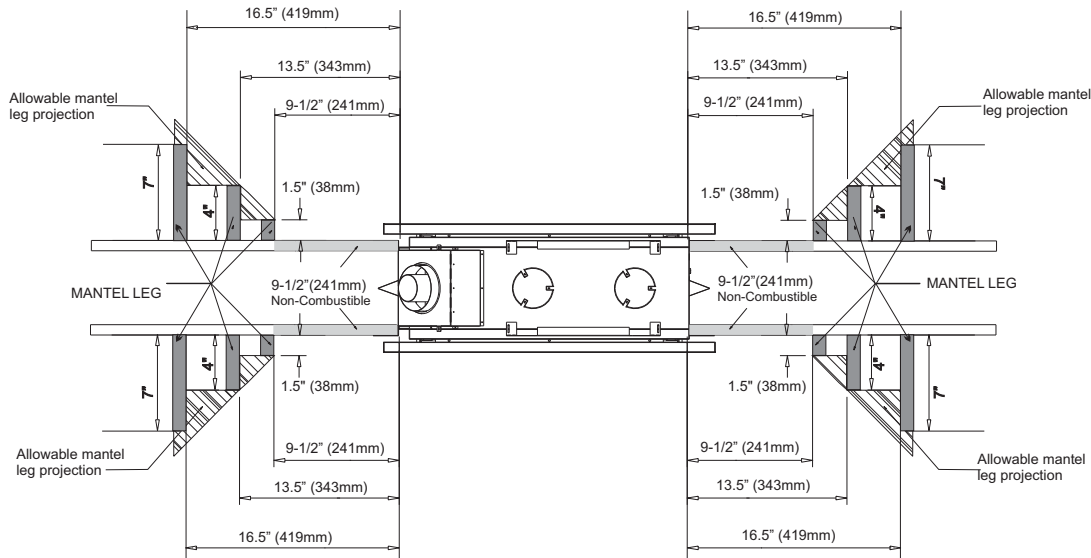
Note: A non-combustible mantel may be installed at a lower height if the framing is made of metal studs covered with a non-combustible board.

Note: Ensure the paint that is used on the mantel and the facing is "heat resistant" or the paint may discolour.



MANTEL LEG CLEARANCES

Combustible mantel leg clearances as per diagram:



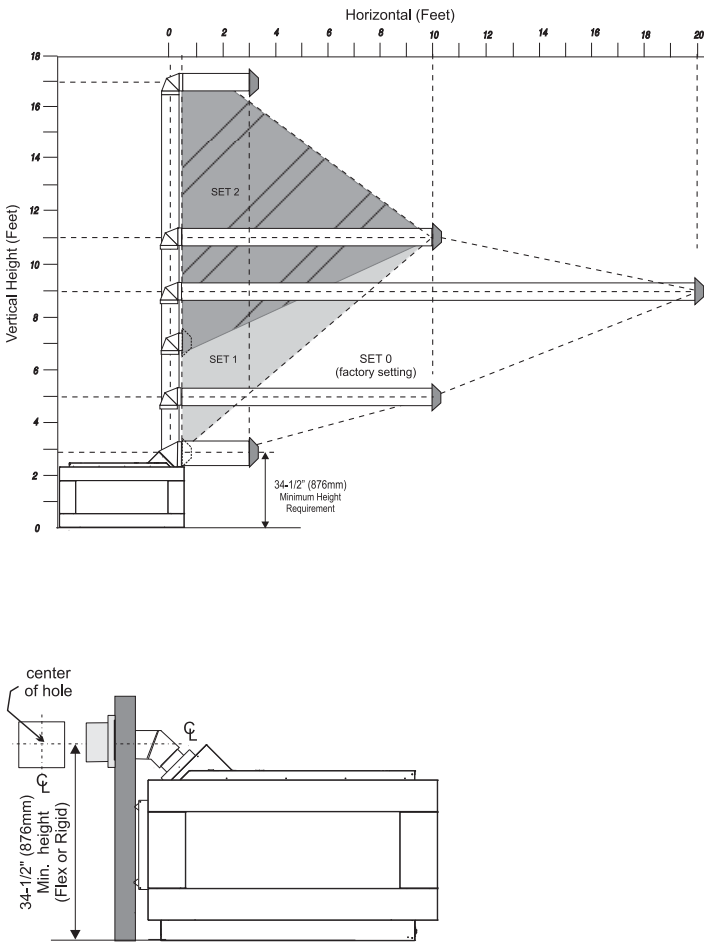
HZ42 ST Gas Fireplace

VENTING ARRANGEMENTS

ALLOWABLE HORIZONTAL TERMINATIONS FOR HZ42 ST

The diagram shows all allowable combinations of vertical runs with horizontal terminations, using one 45° and one 90° (two 45° elbows equal to one 90°) for direct horizontal runs with horizontal termination use only one 45° elbow.

Note: Must use optional rigid pipe adapter (Part# 510-994) when using Rigid Pipe Venting Systems.



VENT RESTRICTOR SETTING:

Vent restrictor factory set, no adjustment required unless otherwise indicated.

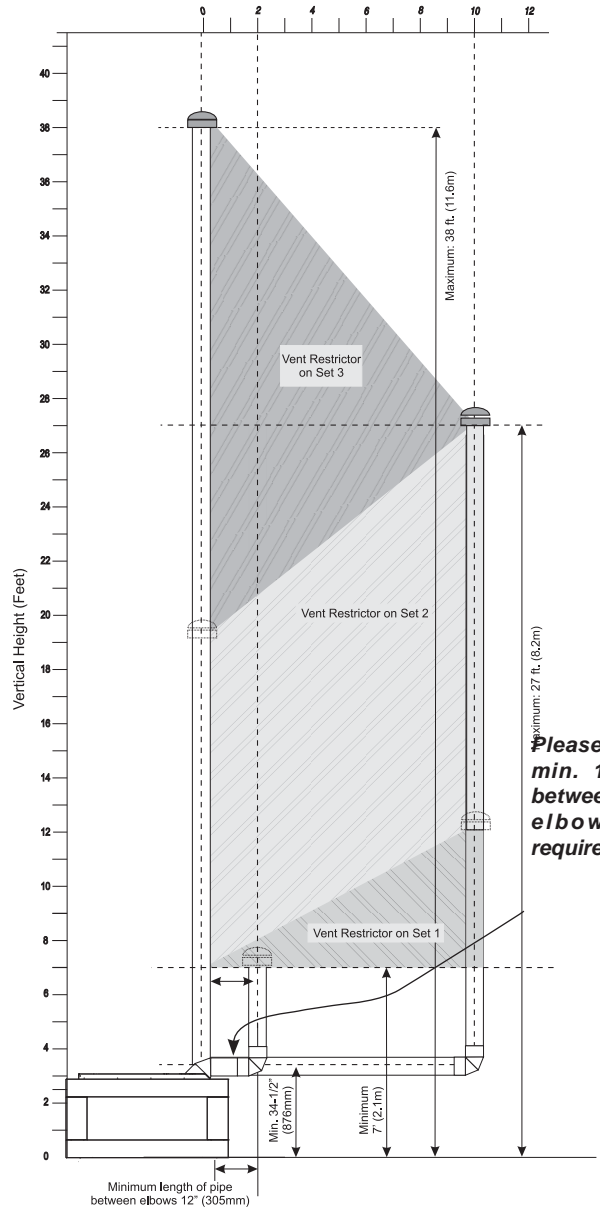
Refer to the "Vent Restrictor Position" section for details on how to change the vent restrictor from the factory setting of Set 0 to Set 1 or Set 2 if required.

Note: Regency® Direct Vent System (Flex) is only approved for horizontal terminations.

- Maintain clearances to combustibles as listed in "Clearances" section
- Horizontal vent must be supported every 3 feet.
- Firestops are required at each floor level and whenever passing through a wall.
- A wall thimble is mandatory for all horizontal terminations due to high temperatures.

ALLOWABLE VERTICAL TERMINATIONS FOR HZ42 ST

The shaded area in the diagram shows all allowable combinations of straight vertical and offset to vertical terminations, using two 90° elbows, with Rigid Pipe Venting Systems for Natural Gas. Two 45° elbows equal to one 90° elbow. Maximum of four 45° elbows allowed.



- Vent must be supported at offsets.
- Firestops are required at each floor level and whenever passing through a wall.
- Maintain clearances to combustibles as listed in the "Clearances" section.
- Refer to the "Vent Restrictor Position" section for details on how to change the vent restrictor from Set 1 to Set 2 or Set 3 if required.

Note: Must use optional flue adaptor when using Rigid Pipe (Part # 510-994).