

Installation Instructions

NOTE: Accessories described in this instruction manual are intended for use with Marley Engineered Products S Series Toe Space Heaters only.

SPECIFICATIONS

Model No	Description	Electrical Ratings
STSP	Single Pole	25 A 120 /240 VAC



WARNING

This instruction sheet contains vital information for the proper installation and use of the accessories described herein. Carefully read this manual before installation, operation, or service of the accessory. Failure to follow these instructions could result in fire, electric shock, death, serious personal injury, or property damage. Save these instructions for reference by future users.

WARNING: HAZARD OF FIRE OR ELECTRIC SHOCK.

1. Be sure electric power is disconnected at main fuse or circuit breaker distribution panel before installation or servicing.
2. The installation must comply with all Local and National Electrical Codes and utility requirements.
3. Refer to installation instructions provided with the heater when installing these accessories.
4. Check accessory and heater nameplate to verify power requirements match power supply coming to heater and accessory. Make sure total power requirements do not exceed ratings of accessory.

INSTALLATION

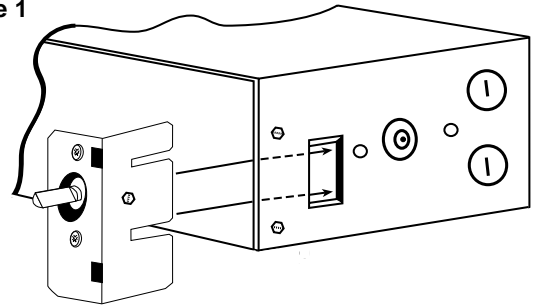
NOTE: It is recommended that no more than one thermostat be used in each room (or area),

1. The thermostat must be installed in right end of the heater.
2. Position thermostat above slot in right end of back box. Push tab on thermostat bracket through slot in right end of back box until the bracket locks in place. See Fig. 1.

NOTE: If the thermostat is controlling more than one heater, the total of all heater amperage ratings (Table 1) cannot exceed 25 amps at 120 volts AC thru 240 volts AC. Refer to Table 2 for correct wire, circuit breaker, or fuse sizing.

3. Connect thermostat to two blue leads in heater per wiring diagram (Fig. 2) using properly sized listed wire nuts.

Figure 1



4. Fold wires back into wiring compartment. Remove 1/2" (12.7 mm) knockout from grille and install grille. Push thermostat knob on thermostat shaft.
5. Reconnect power at main fuse or circuit breaker distribution panel.

Figure 2

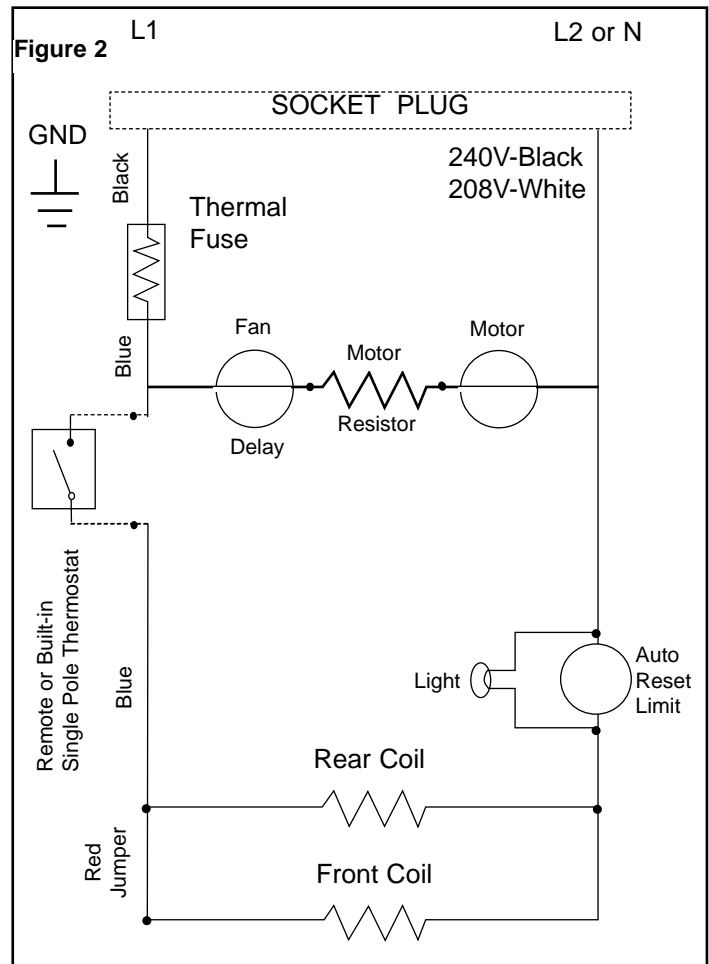


TABLE 1
HEATER RATINGS

MODEL	VOLTS	WATTS/AMPS	WATTS/AMPS
S1500	120	1500W/12.5A	750W/6.3A
	240	1500W/6.3A	750W/3.6A
S1504	208	1125/5.4A	563/2.7A

**FIELD WIRE & PROTECTION CHART
TABLE 2**

TOTAL AMPS	WIRE SIZE (COPPER)	CIRCUIT BREAKER OR FUSE SIZE
0 thru 12	#14	15 Amps
12.1 thru 16	#12	20 Amps
16.1 thru 24	#10	30 Amps

OPERATION CHECK

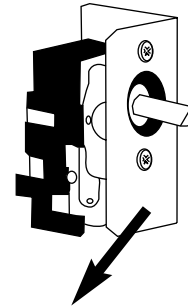
NOTE: This unit is equipped with a fan delay. Once the thermostat closes, the elements will energize and the fan will not start for 30 to 45 seconds.

1. After your S Series heater has been completely installed, thermostat should be turned to LOW. Turn on breakers or install fuses. Wait 3 to 5 minutes and check to make sure the heater is not operating. Should it be operating, disconnect power and check your wiring. If not operating, turn the thermostat to the highest position and wait another 3 to 5 minutes. Then check to see that heater is operating. Should it not be operating, again disconnect power and check your wiring.
2. Allow heater to operate steadily for 1/2 hour.
3. Select the setting for your comfort level.

NOTE: Your electric heating system has many advantages, one of which is zone or room by room control. If you desire to keep a seldom used room at a lower temperature this may be done by lowering the thermostat setting and closing the door.

However, DO NOT try to control different rooms at different temperatures unless the doors are kept closed. This will tend to increase operating cost and decrease comfort. It is advisable, if rooms are kept open, that all thermostats have the same setting. By following these instructions you will enjoy greater comfort.

IMPORTANT INFORMATION



NAMEPLATE

DATE CODE 0996	STSP
MARLEY ENGINEERED PRODUCTS BENNETTSVILLE, SC 29512	774G LISTED ROOM HEATER ACCESSORY
4104-2160-002 AMPS	VAC 60 HZ 120 - 240
	25 RES.

LIMITED WARRANTY

All products covered by this instruction sheet are warranted against defects in workmanship and materials for one year from date of installation. This warranty does not apply to damage from accident, misuse, or alteration; nor where the connected voltage is more than 5% above the nameplate voltage; nor to equipment improperly installed or wired or maintained in violation of this instruction sheet. All claims for warranty work must be accompanied by proof of the date of installation.

The customer shall be responsible for all costs incurred in the removal or reinstallation of products, including labor costs, and shipping costs incurred to return products to a Marley Engineered Products Service Center, and we will repair or replace, at our option, at no charge to you with return freight paid by Marley. It is agreed that such repair or replacement is the exclusive remedy available from Marley Engineered Products.

THE ABOVE WARRANTIES ARE IN LIEU OF ALL OTHER WARRANTIES EXPRESSED OR IMPLIED, AND ALL IMPLIED WARRANTIES OF MERCHANTABILITY AND FITNESS FOR A PARTICULAR PURPOSE WHICH EXCEED THE AFORESAID EXPRESSED WARRANTIES ARE HEREBY DISCLAIMED AND EXCLUDED FROM THIS AGREEMENT. MARLEY ENGINEERED PRODUCTS SHALL NOT BE LIABLE FOR CONSEQUENTIAL DAMAGES ARISING WITH RESPECT TO THE PRODUCT, WHETHER BASED UPON NEGLIGENCE, TORT, STRICT LIABILITY, OR CONTRACT.

Some states do not allow the exclusion on limitation of incidental or consequential damages, so the above exclusion or limitation may not apply to you. This warranty gives you specific legal rights, and you may also have other rights which vary from state.

For the address of your nearest authorized service center, contact Marley Engineered Products, 470 Beauty Spot Road East, Bennettsville, SC 29512 USA. Merchandise returned to the factory must be accompanied by a return authorization and service identification tag, both available from the above location. When requesting return authorization, include all catalog numbers shown on the products.

HOW TO ORDER REPAIR PARTS

In order to obtain any needed repair or replacement parts, warranty service or technical information, please contact Marley Engineered Products Service Center toll-free by calling 1-800-642-HEAT.

When ordering repair parts, always give the information listed as follows:

1. The Part Number
2. The Model Number
3. The Part Description
4. Date of Manufacture

SWO 253 D

ECR 33161

06/96



Marley
Engineered Products

SPX Corporation
470 Beauty Spot Rd. East
Bennettsville, SC 29512 USA