



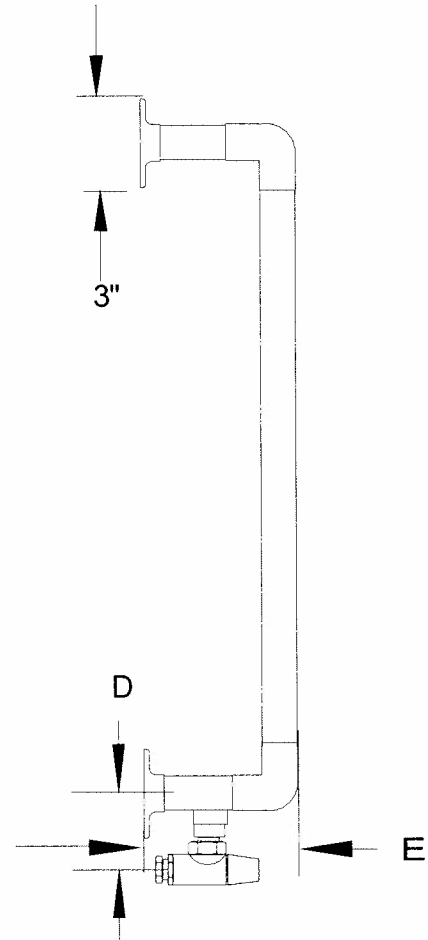
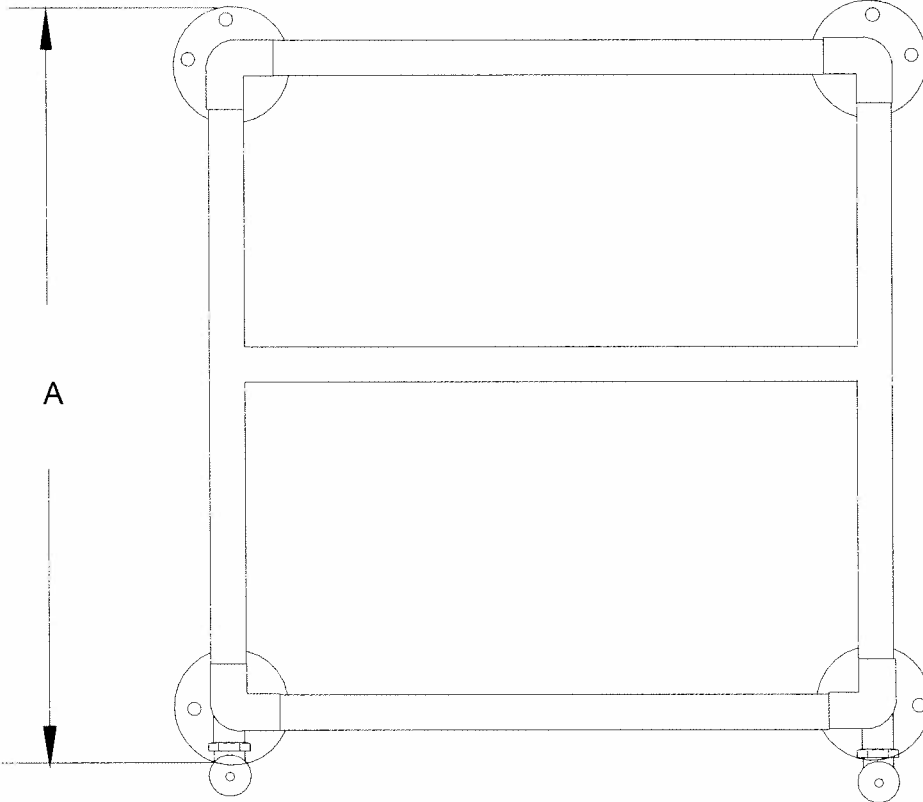
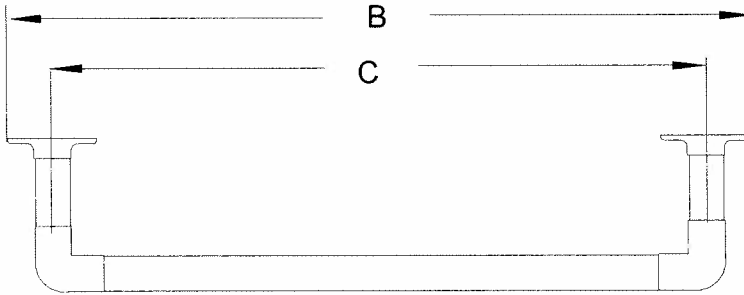
MYSON

SPEY S14 Classic Hydronic

Technical information 04/07

- . Rough in 3/4" copper
- . Tube Diameter: 1"
- . Dezincification Resistant Brass
- . Open or Closed Loop System
- . Modern Valves
- . Sleeve Kit

S14



Model	A	B	C	D	E	BTU	Tube Dia
S14/1	27"	27"	24"	3 1/8"	5 1/8"	475	1"
S14/2	27"	33"	30"	3 1/8"	5 1/8"	535	1"