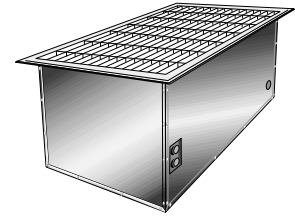


# WHISPA™ II

## A Recessed Floor Fan Convector



### WHISPA II 5000 RECESSED FLOOR FAN CONVECTOR — BTU/HR HEAT OUTPUT — ENTERING AIR @ 65°F

MODEL #	FLOW RATE GPM	FAN SPEED	AIR DELIVERY (CFM)	ENTERING WATER TEMPERATURE (°F)									
				110°	120°	130°	140°	150°	160°	170°	180°	190°	200°
<b>Whispa II 5000 FM</b>	1.0	Boost	93	1,995	2,473	2,957	3,447	3,941	4,440	4,942	5,448	5,957	6,469
		Low	62	1,597	1,972	2,350	2,731	3,115	3,601	3,889	4,279	4,671	5,064
<b>Whispa II 5000 FM</b>	3.0	Boost	93	2,200	2,728	3,262	3,803	4,348	4,898	5,462	6,010	6,572	7,136
		Low	62	1,762	2,175	2,592	3,013	3,436	3,862	4,290	4,721	5,153	5,587

\*For output at these water temperatures, optional 120°F low temperature cut-off required.

### HEAT OUTPUT COMPARISON @ 180°F WATER TEMP

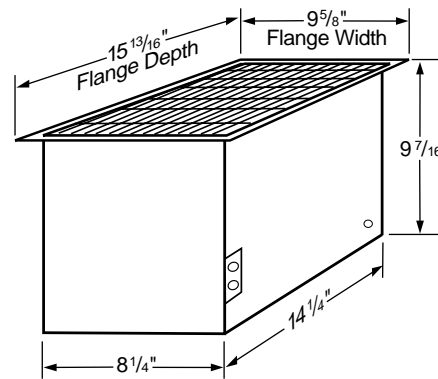
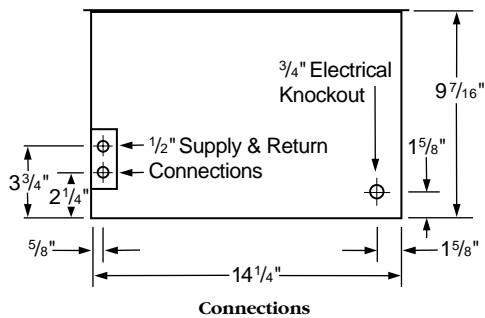
MODEL #	FLOW RATE GPM	FAN SPEED	BASEBOARD (525 BTU/FT)	C.I. RADIATORS (225 BTU/SQ FT)
WHISPA II	1	Boost/Low	10.4 ft / 8.2 ft	24 sq ft / 19 sq ft
5000 FM	3	Boost/Low	11.4 ft / 9.0 ft	26 sq ft / 21 sq ft

### UNIT WEIGHT (LBS)

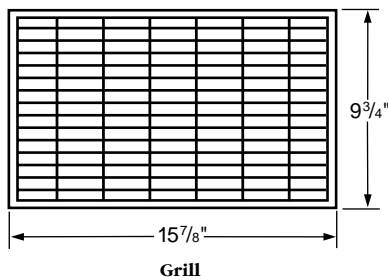
MODEL #	UNIT WEIGHT	WEIGHT PACKED
WHISPA II		
5000 FM	15 lbs	18 lbs

### FRICTION LOSS (HEAD)

WHISPA II 5000	
GAL/MIN (GPM)	FT WG
1.0	0.3
3.0	3.5



Dimensional View



Grill

**Note:**  
All connections accessible from the top of the unit.



### WHISPA II 5000 RECESSED FLOOR FAN CONVECTOR SPECIFICATIONS — Engineered to be efficient.

**Controls...**Units may be wired to a wall switch or thermostat. All models have low-limit thermostats which close at 129°F and reopen at 109°F (±7°F). Optional low temperature thermostat is available.

**Construction...**The chassis is manufactured from aluminum. The grill is mild steel with a baked epoxy polyester finish for strength and durability. Available in classic beige.

**Warranty...**MYSON offers a full ten year warranty on the heat exchanger and a full three year warranty on the fan motor.