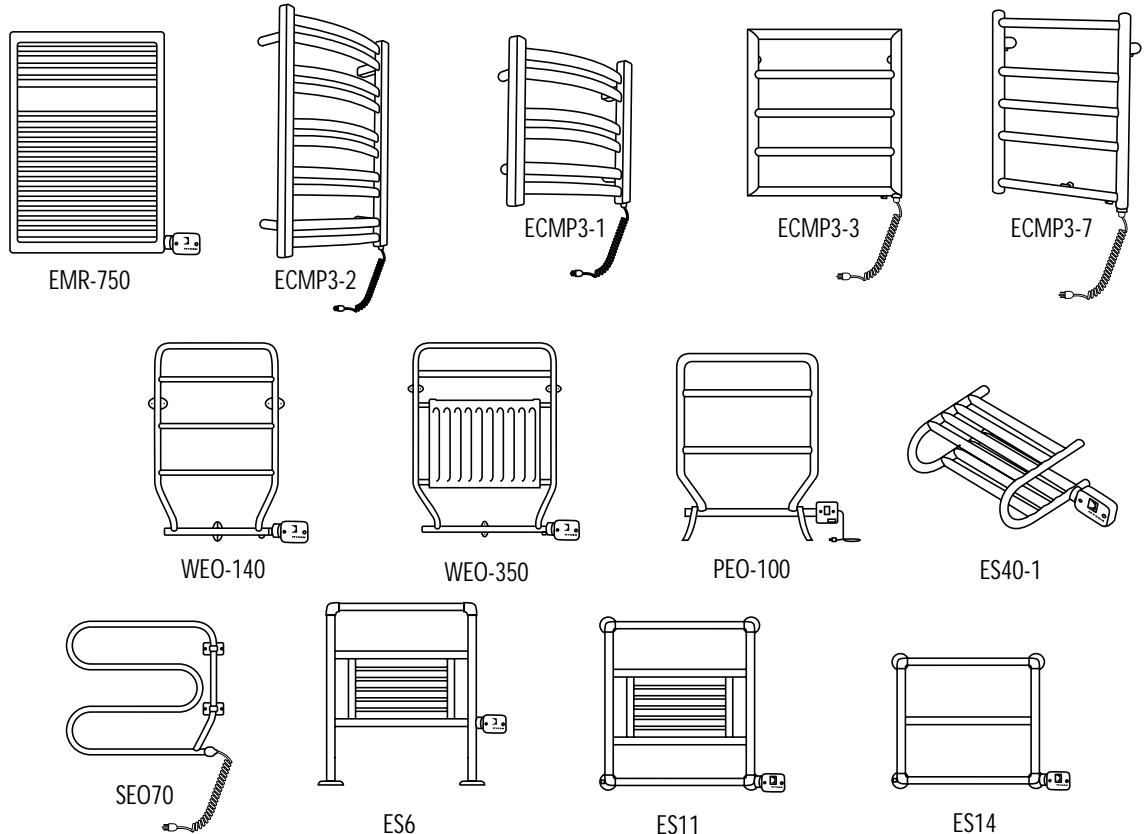


- UL-listed
- up to 200 watts
- install easily
- back lit on/off switch
- wall and portable models
- most models are available in chrome, nickel, satin nickel, regal brass, satin brass, gold, satin gold plate, baked epoxy powdercoat white finishes or custom colors
- special order models and custom sizes available
- provided with necessary matching installation accessories
- 5 year Myson Warranty



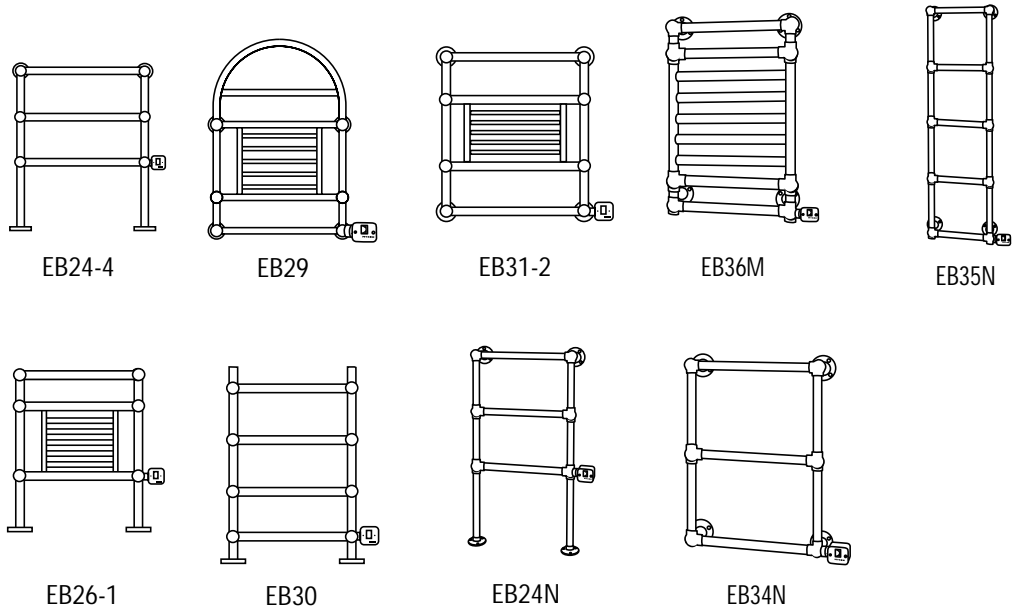
Model	V/Hz	Watts	Amps	Overall Height (in)	Overall Width (in)	Overall Width Incl. Electric Box (in)	Center of Flange to Wiring Conn. (in)	Width C to C Vert. Tubes (in)	Bottom Rail to Center of Flange (in)	Center Rt. Rail to Wire Conn. (in)	Overall Projection (in)	Tube Diameter (in)	Shipping Weight (lbs)	Special Order
EMR750	120V/60Hz	200	1.75	29-7/8	19-3/4	22-3/8	-	18-1/2	25-1/2	2	3-5/8	1-1/4 / 1	39	N/A
ECMP3/1 ¹	120V/60Hz	70	0.63	19-7/8	17-1/4	-	-	15-1/4	-	-	5-1/4	1-1/4 / 1	20	N/A
ECMP3/2 ²	120V/60Hz	70	0.63	34	17-1/4	-	-	15-1/4	-	-	5-1/4	1-1/4 / 1	28	N/A
ECMP3/3 ³	120V/60Hz	70	0.63	21-3/4	19-5/8	-	-	18-1/4	17-1/2	-	3-7/8	1-1/4 / 1	24	N/A
ECMP3/7 ⁷	120V/60Hz	70	0.63	21-1/4	17-1/2	-	-	16-1/4	16-1/2	-	3-7/8	1-1/4 / 1	24	N/A
WEO100	120V/60Hz	100	0.76	24-1/4	23	23-3/4	10-3/4	20	14	-	4	1	21	N/A
WEO140	120V/60Hz	140	1.10	33-1/2	23	23-3/4	10-3/4	20	23-1/8	-	4	1	31	N/A
WEO165	120V/60Hz	165	1.26	33-1/2	33	33	11-3/4	29-3/4	20-1/4	-	4	1	37	N/A
WEO350	120V/60Hz	200	1.75	33-1/2	25-1/4	25-1/4	11-3/4	22	25-1/4	-	4-1/2	1	40	N/A
PEO100	120V/60Hz	100	0.76	27-3/4	23	23-3/4	-	20	-	-	4	1	21	N/A
PEO140	120V/60Hz	140	1.10	37	23	23-3/4	-	20	-	-	4	1	31	N/A
PEO165	120V/60Hz	165	1.26	37	33	33	-	29-3/4	-	-	4	1	37	N/A
PEO350	120V/60Hz	200	1.75	37	24-1/4	25-1/4	-	22	-	-	4-1/2	1	40	N/A
ES40/1	120V/60Hz	100	0.76	6-3/4	18-1/4	21-5/8	-	17	-	2-5/8	12	1-1/4	34	N/A
ES40/2	120V/60Hz	140	1.10	6-3/4	24-1/4	27-5/8	-	23	-	2-5/8	12	1-1/4	34	N/A
SEO70*	120V/60Hz	70	0.63	19-7/8	22-7/8	23 1/4	-	-	-	-	3-1/2	1	21	N/A
Flr. to Center Conn.														
ES6/1	120V/60Hz	165	1.26	36-5/8	27-1/4	30	-	24	12	2-5/8	Depends on Wall Stays	1-1/4	53	✓
ES6/2	120V/60Hz	165	1.26	36-5/8	33-1/4	36	-	30	12	2-5/8		1-1/4	62	✓
ES11/1	120V/60Hz	165	1.26	27-1/4	27-1/4	30	-	24	-	3	6-1/2	1-1/4	53	✓
ES11/2	120V/60Hz	165	1.26	33-1/4	33-1/4	36	-	30	-	3	6-1/2	1-1/4	62	✓
ES14/5	120V/60Hz	100	0.76	27	27	30	-	24	-	2-5/8	6-1/2	1-1/4	53	✓
ES14/6	120V/60Hz	100	0.76	27	33	36	-	30	-	2-5/8	6-1/2	1-1/4	53	✓

✓ Special order models are non-stock items. Please call Myson at 1-800-698-9690 for details.

* SEO70 available in chrome and white only. ¹Pending Electric Approvals

- UL-approved with back lit on/off switch
- up to 200 watts
- easy installation
- floor standing or wall-mounted
- chrome, nickel, satin nickel, regal brass, satin brass, gold, satin gold plate finish
- combination finishes include chrome/gold; chrome/regal brass; white/gold and more
- available in baked epoxy powdercoat white finish or a palette of 1200 colors
- special order models and custom sizes available
- provided with necessary matching installation accessories
- 5 year Myson Warranty

Premier Towel Warmers create a dramatic focal point for any wall...adding heat, elegance and style to any room. The new Premier Space-Saver model is perfect for small kitchens and guest bathrooms.



Model	V/Hz	Watts	Amps	Overall Height (in)	Overall Width Including Flanges (in)	Overall Width Incl. Elec. Box (in)	Width C/C Vertical Tubes (in)	Center of Rt. Rail to Wiring Conn. (in)	Floor to Center of Elec. Box (in)	Overall Projection (in)	Tube Diameter (in)	Approx. Shipping Weight (lbs)	Special Order
EB24/4	120V/60Hz	140	1.10	37-5/8	27-1/4	30	24	2-5/8	15	5-5/8	1-1/4	66	N/A
EB24/5	120V/60Hz	140	1.10	37-5/8	33-1/4	36	24	2-5/8	15	5-5/8	1-1/4	71	✓
EB24/6	120V/60Hz	140	1.10	37-5/8	39-1/4	42	30	2-5/8	15	5-5/8	1-1/4	71	✓
EB26/1	120V/60Hz	165	1.30	36-7/8	27-1/4	30	24	2-5/8	12		1-1/4	47	N/A
EB26/2	120V/60Hz	165	1.30	36-7/8	33-1/4	36	30	2-5/8	12		1-1/4	52	✓
EB26/3	120V/60Hz	165	1.30	36-7/8	39-1/4	42	36	2-5/8	12		1-1/4	52	✓
EB26/4	120V/60Hz	165	1.30	36-7/8	45-1/4	48	42	2-5/8	12		1-1/4	52	✓
EB29	120V/60Hz	165	1.30	41	27-1/4	30	24	3	—	5-1/2	1-1/4	66	N/A
EB30	120V/60Hz	200	1.75	39	27-1/4	30	24	2-5/8	4-1/4	8-3/4	1-1/4	79	N/A
EB31/1	120V/60Hz	165	1.30	27-1/4	27-1/4	30	24	3	—	5-5/8	1-1/4	52	✓
EB31/2	120V/60Hz	165	1.30	33-1/4	33-1/4	36	30	3	—	5-5/8	1-1/4	52	N/A
EB31/3	120V/60Hz	165	1.30	33-1/4	39-1/4	42	36	3	—	5-5/8	1-1/4	60	✓
EB31/4	120V/60Hz	165	1.30	33-1/4	45-1/4	48	42	3	—	5-5/8	1-1/4	60	✓
EB34/5	120V/60Hz	100	0.76	27-1/4	27-1/4	30	24	3	—	5-5/8	1-1/4	40	N/A
EB34/6	120V/60Hz	100	0.76	27-1/4	33-1/4	36	30	3	—	5-5/8	1-1/4	54	✓
EB34/7	120V/60Hz	140	1.10	27-1/4	39-1/4	42	36	3	—	5-5/8	1-1/4	71	✓
EB34/8	120V/60Hz	140	1.10	33-1/4	39-1/4	42	36	3	—	5-5/8	1-1/4	71	✓

Space-Saver Models

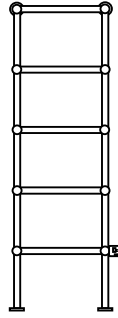
EB24N	120V/60Hz	100	0.76	37-5/8	21-1/4	23-5/8	18	2-5/8	15	5-5/8	1-1/4	30	N/A
EB34N	120V/60Hz	100	0.76	27-1/4	21-1/4	23-5/8	18	3	—	5-7/8	1-1/4	30	N/A
EB35N	120V/60Hz	140	1.10	51-1/4	15-1/4	18	12	3	—	5-7/8	1-1/4	35	N/A
EB36M	120V/60Hz	165	1.30	27-1/4	21-1/4	24	18	3	—	5-7/8	1-1/4	35	N/A

✓ Special order models are non-stock items. Please call Myson at 1-800-698-9690 for details.

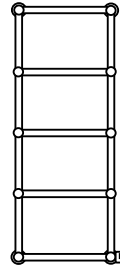
Master Suite Electric

Master Suite Electric Towel Warmers are the ultimate in Period styling, adding both heat and drama to any room in your home.

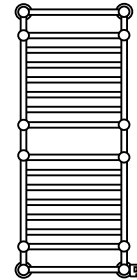
- UL-listed with back lit on/off switch
- up to 500 watts
- wall and floor models
- chrome, nickel, satin nickel, regal brass, satin brass, gold, satin gold plate finish
- baked epoxy powdercoat white finish or custom colors
- combination finishes include chrome/gold; chrome/regal brass; white/gold and more
- provided with necessary matching installation accessories
- custom sizes available
- 5 year Myson Warranty



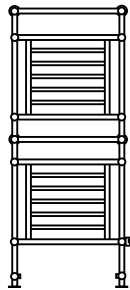
EB25



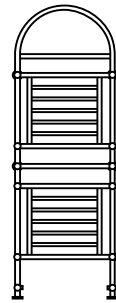
EB35



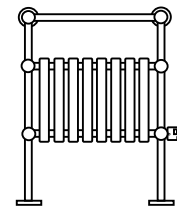
EB36



EB47



EB49



EVR1

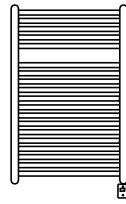
Model	V/Hz	Watts	Amps	Overall Height (in)	Overall Width Incl. Flanges (in)	Overall Width Incl. Elec. Box (in)	Width C/C Vertical Tubes (in)	Center of Rt. Rail to Wiring Conn. (in)	Floor to Center of Elec. Box (in)	Overall Projection (in)	Tube Diameter (in)	Shipping Weight* (lbs)
EB25/1	120V/60Hz	200	1.75	61-5/8	21-1/4	23-5/8	18	2-5/8	12	5-3/8	1-1/4	150
EB25/2	120V/60Hz	200	1.75	61-5/8	27-1/4	29-5/8	24	2-5/8	12	5-3/8	1-1/4	150
EB25/3	120V/60Hz	300	2.73	61-5/8	33-1/4	35-5/8	30	2-5/8	12	5-3/8	1-1/4	150
EB35/1	120V/60Hz	200	1.75	51-1/4	21-1/4	24	18	3	—	6-7/8	1-1/4	150
EB35/2	120V/60Hz	200	1.75	51-1/4	27-1/4	30	24	3	—	6-7/8	1-1/4	150
EB35/3	120V/60Hz	300	2.73	51-1/4	33-1/4	36	30	3	—	6-7/8	1-1/4	150
EB36/1	120V/60Hz	300	2.73	51-1/4	21-1/4	24	18	3	—	6-7/8	1-1/4	150
EB36/2	120V/60Hz	300	2.73	51-1/4	27-1/4	30	24	3	—	6-7/8	1-1/4	150
EB47/1	120V/60Hz	300	2.73	68-3/8	27-1/4	29-5/8	24	2-5/8	12	5-3/8	1-1/4	150
EB47/2	120V/60Hz	300	2.73	68-3/8	33-1/4	35-5/8	30	2-5/8	12	5-3/8	1-1/4	150
EB49	120V/60Hz	300	2.73	73-1/2	27-1/4	29-5/8	24	2-5/8	12	5-3/8	1-1/4	150
EVR-1	120V/60Hz	500	4.2	37-1/2	26-3/4	29	23-7/16	2-3/8	11-1/2	8-1/8	1-1/4	75

*150 lb. minimum must ship via truck

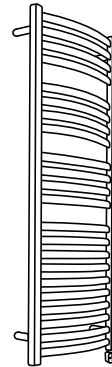
Multi-Rail, Aloha & ECO Electric

- wall-mounted models
- manufactured from the highest quality materials
- heat output for warming towels and the room
- up to 700 watts of power
- chrome, nickel, satin nickel, regal brass, satin brass, gold, satin gold plate finish
- available in baked epoxy powdercoat white finish or custom colors
- provided with necessary matching installation accessories
- ERR models available with matching optional towel rail for extra hanging space
- 5 year Myson Warranty

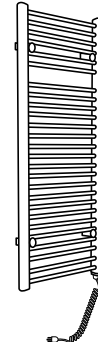
Multi-Rail, ECO & Aloha electric Towel Warmers, with their simple lines and large sizing, will meet any space or warmth requirement.



ERR1



ECM4



EECOS125

Multi-Rail Electric

Model	V/Hz	Watts	Amps	Overall Height (in)	Overall Width Including Elec. Box (in)	Width C/C Vertical Tubes (in)	Overall Projection (in)	Tube Diameter (in)	Shipping Weight* (lbs)	
ERR1	120Volt/60Hz	300	2.73	33	20	18-1/2	4	1-1/4" Vertical Tubes	41	
ERR2	120Volt/60Hz	300	2.73	33	24	22-1/2	4		47	
ERR3	120Volt/60Hz	300	2.73	33	30	28-1/4	4		58	
ERR4	120Volt/60Hz	500	4.20	50	20	18-1/2	4		61	
ERR5	120Volt/60Hz	500	4.20	50	24	22-1/2	4		70	
ERR6	120Volt/60Hz	500	4.20	50	30	28-1/4	4		84	
ERR7	120Volt/60Hz	700	6.37	74	20	18-1/2	4		1" Horizontal Tubes	150
ERR8	120Volt/60Hz	700	6.37	74	24	22-1/2	4			150
ERR9	120Volt/60Hz	700	6.37	74	30	28-1/4	4			150

Aloha Models Electric

ECM1	120Volt/60 Hz	300	2.73	31-1/4	19-3/4	17-1/2	5-1/4	1-1/2" Vertical "D" Tubes	41
ECM2	120Volt/60 Hz	300	2.73	31-1/4	23-5/8	21-3/8	5-1/4		47
ECM3	120Volt/60 Hz	300	2.73	31-1/4	29-1/2	27-1/4	5-1/4		58
ECM4	120Volt/60 Hz	500	4.20	49-3/4	19-3/4	17-1/2	5-1/4	1" Oval Horizontal Tubes	61
ECM5	120Volt/60 Hz	500	4.20	49-3/4	23-5/8	21-3/8	5-1/4		70
ECM6	120Volt/60 Hz	500	4.20	49-3/4	29-1/2	27-1/4	5-1/4		84
ECM7	120Volt/60 Hz	700	6.37	75-3/4	19-3/4	17-1/2	5-1/4		150
ECM8	120Volt/60 Hz	700	6.37	75-3/4	23-5/8	21-3/8	5-1/4		150
ECM9	120Volt/60 Hz	700	6.37	75-3/4	29-1/2	27-1/4	5-1/4		150

Eco Models Electric Pending Electric Approvals

EECOS-85	120Volt/60 Hz	300	2.73	34	19-5/8	17-3/4	4	1-1/2" Vertical "D" Tubes	40
EECOS-86	120Volt/60 Hz	300	2.73	34	23-5/8	21-5/8	4		45
EECOS-125	120Volt/60 Hz	300	2.73	48-1/4	19-5/8	17-3/4	4		60
EECOS-126	120Volt/60 Hz	300	2.73	48-1/4	23-5/8	21-5/8	4	1" Horizontal Tubes	70
EECOS-185	120Volt/60 Hz	500	4.20	71-1/8	19-5/8	17-3/4	4		150
EECOS-186	120Volt/60 Hz	500	4.20	71-1/8	23-5/8	21-5/8	4		150

*150 lb. minimum must ship via truck