



# Model MM698, MM698F, MM698-WC, MM728NL Heater/Fan/Lights

## DESCRIPTION

The MM698, MM698F, MM698-WC, MM728NL Heater/Fan/Light models listed in these instructions are intended for use in bathrooms. However, they can also be used in other areas where heat and ventilation is required. All models are U.L. listed type I.C. (Inherently Protected) for use in insulated ceilings. **IMPORTANT:** Do not install above bathtub or shower stall enclosure.

## UNPACKING

Unpack carefully. If there are missing components or hidden damage, immediately contact your distributor or the delivering company.



**WARNING**



### TO REDUCE THE RISK OF FIRE, ELECTRICAL SHOCK OR INJURY TO PERSONS, OBSERVE THE FOLLOWING:

1. Do not use this fan with any Solid-State speed control device.
2. Use this unit only in the manner intended by the manufacturer.
3. Before servicing or cleaning unit, switch power off at service panel and lock service panel to prevent power from being switched on accidentally.
4. Installation work and electrical wiring must be done by qualified person(s) in accordance with all applicable codes and standards, including fire-rated construction.
5. Sufficient air is needed for proper combustion and exhausting of gases through the flue (chimney) of fuel burning equipment to prevent backdrafting. Follow the heating equipment manufacturer's guideline and safety standards such as those published by the National Fire Protection Association (NFPA), and the American Society for Heating, Refrigeration and Air Conditioning Engineers (ASHRAE), and the local code authorities.
6. When cutting or drilling into wall or ceiling, do not damage electrical wiring or other hidden utilities.
7. Ducted fans must always be vented to the outdoors.
8. If this unit is installed over tub or shower, it must be marked as appropriate for the application. These units are **NOT** to be installed over a tub or in a shower stall enclosure.
9. **NEVER** place a switch where it can be reached from a tub or shower.
10. **CAUTION: For General Ventilating Use Only!** Do not use to exhaust hazardous or explosive materials or vapors.
11. Not for use in kitchens.
12. Unit must be installed on a separate 20 amp branch circuit

## TOOLS

Installation of your Marley Engineered Products product is easy. No special technical knowledge is needed; only a few ordinary tools are required:

- Screwdriver
- Hammer
- Saber saw, Keyhole saw or jig saw
- Electric drill with bit
- Wire cutters
- Wire stripper
- Wire nuts and general electrical supplies
- Safety glasses
- Ruler and straight edge

All hand tools should be insulated. Power tools should display U.L. Listing Mark.

# READ AND SAVE THESE INSTRUCTIONS

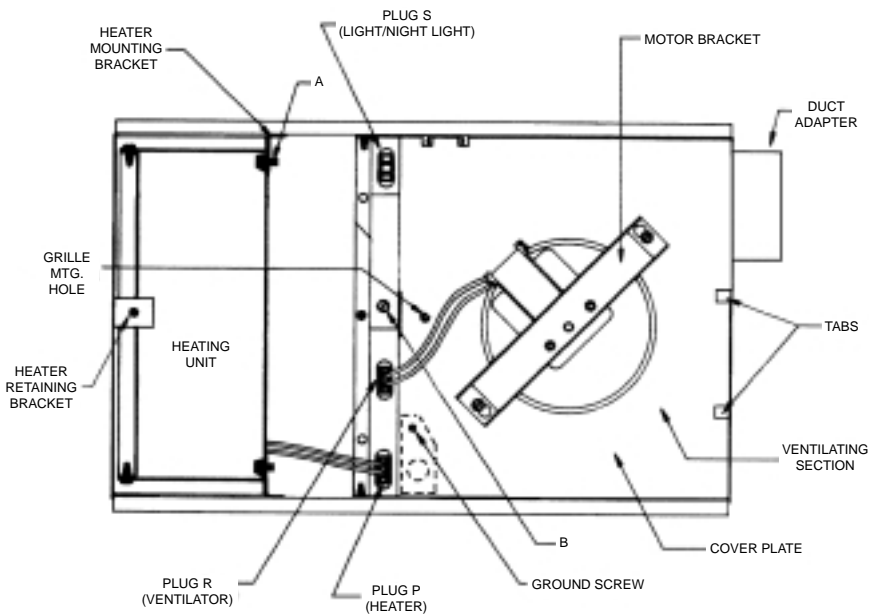


FIGURE 1 (ALL MODELS)

**CAUTION: BE SURE ALL WIRING COMPLIES WITH LOCAL AND NATIONAL ELECTRICAL CODES, AND HOUSING IS PROPERLY GROUNDED**

## NEW HOME INSTALLATION

1. Attach duct adapter to housing by first hooking two mounting tabs over flange in discharge opening. Pivot duct adapter insuring aligning tabs are inside opening and align two locking tabs with small rectangular holes. See Fig. 4. Press tabs firmly into holes to lock.
- NOTE:** The attachment of the duct adapter to the housing may be reinforced if desired, by installing two #8AB screws through holes in the duct adapter and the small holes in the housing.
2. Remove grille assembly carefully and place in a safe location.
  3. Before removing main unit from carton, loosen the two heater retaining screws "A" (Fig. 1). Pull plug "P" from its receptacle. Squeeze the heater frame to release the heater retaining bracket and carefully lift out the heating unit until the screws disengage the keyholes. Place in a safe location.
  4. Check the ventilating section. Be sure that the motor bracket is secured tightly to the cover plate. If not, loosen the two mounting screws, twist the motor bracket counter-clockwise into place and retighten the screws.
  5. Next, pull the plug "R" from its receptacle, remove the retaining screw "B" and lift out the ventilating section. Be careful not to disturb the fan blade. Save the retaining screw.
  6. Insert mounting brackets into the slots on housing, with angles pointing away from housing. Position housing into ceiling location. Housing should extend 3/8" for drywall or 3/4" for standard sheetrock and plaster below joist. Pull mounting brackets against ceiling joists and fasten securely. (Fig. 5)

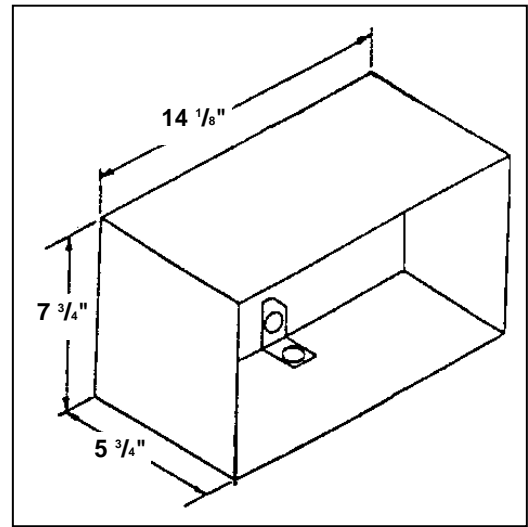


FIGURE 2

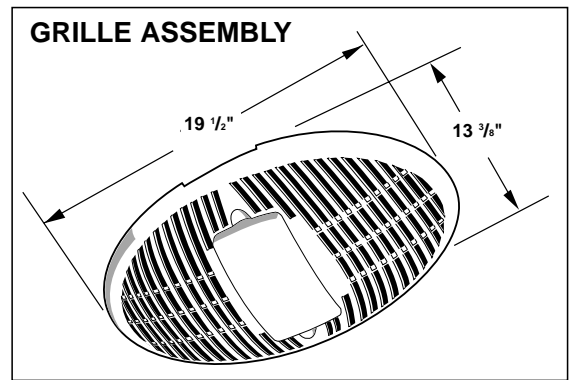


FIGURE 3

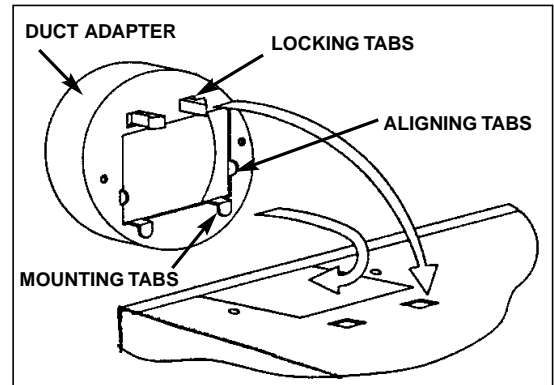


FIGURE 4

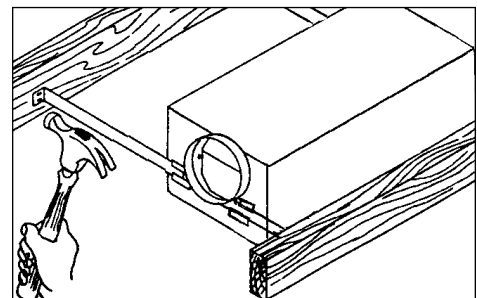
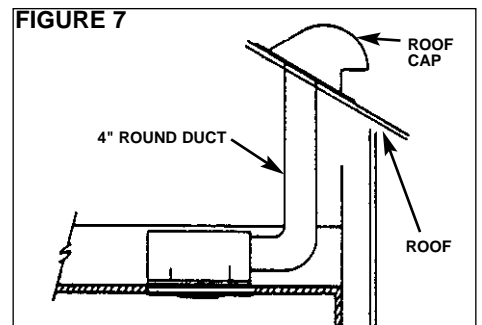
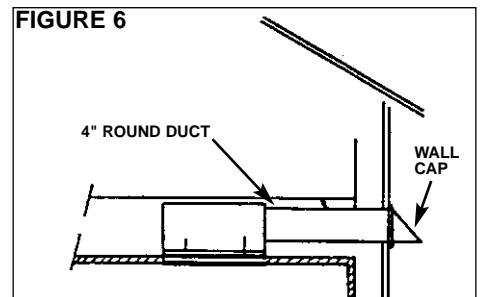


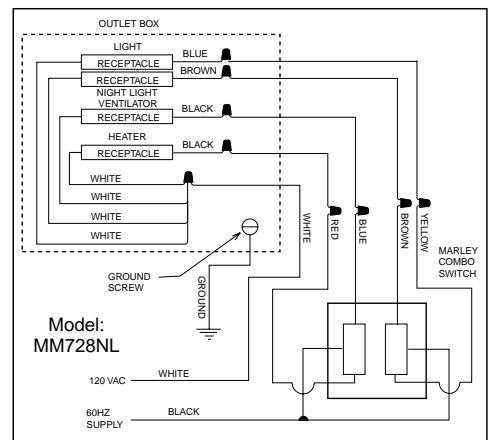
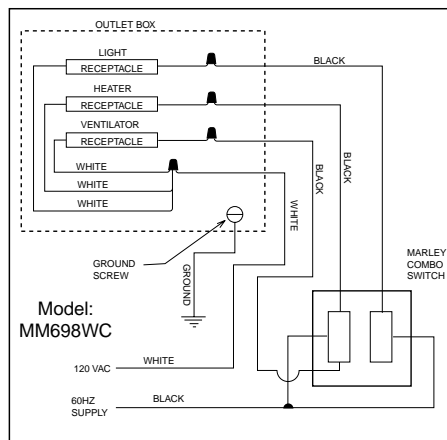
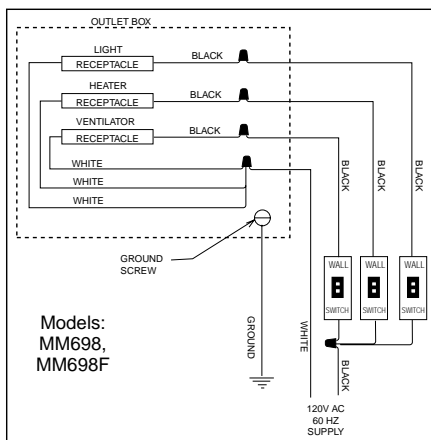
FIGURE 5

7. Attach four inch diameter duct to duct adapter and run to roof cap or wall cap. See Figs. 6 & 7.
8. Run 120V AC, 60Hz power cables from wall switches to appropriate knockout in housing and attach using a BX or Romex connector.  
NOTE: Each mode of the unit heat/light/fan will require an individual cable from the switch/control. Refer to the wiring diagram designated for the model being installed.
9. Connect cables to receptacle wires in the unit using approved wire connectors. Connect ground wire to ground (green) screw in unit.
10. Restore ventilating section to its original location. Be sure to engage plate with tabs and fasten it with retaining screw "B". Push plug "R" into receptacle.
11. Restore heating unit to its original location. Tighten retaining screws "A". Push plug "P" into receptacle.
12. Remove lens from grille assembly by squeezing both sides. Lift grille assembly to unit and push plug into light receptacle "S". Engage the long mounting screw into formed hole in cover plate. See fig. 1. Tighten until grille is snug against ceiling.



**CAUTION - Grille Assembly is intended for installation in one direction only. Plug "S" & lamp socket must be installed on same side of fan as Light/Night Light outlet shown in Figure 1. Improper orientation of the Grille Assembly will result in overheating of the grille and a possible safety hazard.**

13. Install 100 watt maximum type A-19 bulb and on model MM728NL a 7-1/2 watt candelabra base C-7 night light bulb. For model MM698F, install a 13 watt twin or quad tube 2-pin compact fluorescent lamp. Snap the lens into it's original location.



## INSTALLING IN EXISTING HOMES

1. Review the section: "New Home Installation" and follow instructions where applicable.
2. Refer to wiring diagram for wiring and for duct work.
3. Drill a small hole in proposed location, then locate this hole in the attic.
4. In the attic, position housing between ceiling joists and over drilled hole. Using the housing as a template, mark ceiling for cutout. Make cutout on this line.
5. Remainder of the installation is the same as Steps 4 through 9 under "New home Installation." Cracks between housing and ceiling may be plastered or caulked.

## LIMITED WARRANTY

Dear Customer,

Thank you for your interest in Marley Engineered Products bath fans. We're sure you will enjoy its benefits for many years to come. Please take a minute to fill out the following information and keep it in your permanent records.

Date Purchased \_\_\_\_\_ Date Installed \_\_\_\_\_

Model Number \_\_\_\_\_

### LIMITED WARRANTY

This Marley Engineered Products bath fan is warranted to be free of defects in material and workmanship for 12 months from date of original purchase.

Elements for baseboard heaters are warranted for 10 years from the date of original purchase.

There is no other warranty, express or implied, except such as is expressly set forth herein. Seller will not be liable for any general, consequential, or incidental damages, including without limitation any damages for loss of use or loss of profits, for any breach of warranty or for negligence. Seller's liability and buyer's exclusive remedy are limited to the repair of defective goods or the shipment of equivalent goods, or the granting of a reasonable allowance on account of any defects, as the seller may elect.

To obtain performance under this warranty, you must:

1. Contact the Marley Engineered Products Service Department at 1-800-642-HEAT between the hours of 9:00 a.m. and 5:00 p.m. C.S.T. Monday through Friday.
2. Provide the model number of the product, the date of installation, and state the nature of the difficulty being experienced.

3. The Marley Engineered Products Service Representative will determine the best way to resolve the difficulty.

Products within warranty which have been installed and returned to the seller for repair will be repaired and returned as used products. Repairs to products outside the warranty period will be subject to labor and parts charges.

Some states have enacted legislation which (a) does not allow the inclusion of limitations on incidental or consequential damages; (b) does not allow limitations on the length of a warranty period; (c) precludes exclusion, during the period of a limited warranty, of any implied warranties of merchantability or fitness for purpose.

To the extent of such provisions being applicable in your state, the limitations in this warranty may not apply.

### TO ENSURE SAFE OPERATION

- Be sure that this unit is correctly installed and wired by a qualified installer in accordance with the instructions and applicable NEC or equivalent codes.
- Be sure that operating instructions are followed and that moving and heating parts are kept clean and free from obstructions.

Any warranties granted or liabilities assumed hereunder will not apply to goods that have been damaged in transit, altered, repaired, installed or operated otherwise than in conformity with the above requirements for safe operation.

## HOW TO ORDER REPAIR PARTS

In order to obtain any needed repair or replacement parts, warranty service or technical information, please contact Marley Engineered Products Service Center toll-free by calling 1-800-642-HEAT.

When ordering repair parts, always give the information listed as follows:

1. The Part Number
2. The Model Number
3. The Part Description
4. Date of Manufacture



**Marley**  
Engineered Products

SPX Corporation  
470 Beauty Spot Rd. East  
Bennettsville, SC 29512 USA