

T822 Thermostat

INSTALLATION INSTRUCTIONS

STEP 1. PREPARE FOR INSTALLATION



The T822 Thermostat controls 2-wire, 15 Vac to 30 Vac, gas, oil or electric heating-only systems.

The T822 Thermostat is not suitable for:

- cooling systems
- heating-cooling systems
- 3-wire electric heating systems

If you are unsure which thermostat model is right for your system, visit www.honeywell.com/yourhome or call Honeywell Customer Care at 1-800-468-1502.

1. Check that the following components are included:
 - Thermostat
 - Two one-inch screws
 - Installation Instructions
2. Required tools:
 - Slotted screwdriver
 - Drill
 - Drill bit (1/16 in.)
 - Needle nose pliers
 - Level
 - Pencil

STEP 2. REMOVE OLD THERMOSTAT

1. Turn power off to the system at the furnace or at the fuse/circuit breaker panel.
2. Remove cover on the old thermostat. If the cover does not easily pull off, remove any screws that may fasten the cover to the thermostat.

3. Locate the heat anticipator scale and the heat anticipator lever on the old thermostat (see Fig. 1).

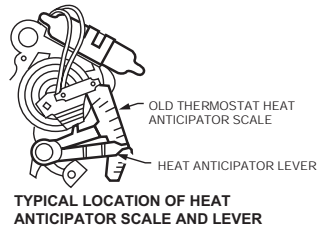


Fig. 1. Heat anticipator on old thermostat (example).

4. Record the number that the heat anticipator lever points to on the heat anticipator scale.

NOTE: If you cannot find the heat anticipator setting on your thermostat, you can use a standard setting for your type of system when you reach **Step 5. Set Heat Anticipator On New Thermostat.**

5. Remove any screws that hold the thermostat to the wall and pull the thermostat away from the wall.
6. Remove the two wires from the old thermostat and wrap them around a pencil to keep them from falling back into the wall (see Fig. 2). If there are more than two wires connected to your old thermostat, **do not remove the wires.** Visit www.honeywell.com/yourhome or call 1-800-468-1502 for further assistance with the installation.



Fig. 2. Pull wires through wall opening.





MERCURY NOTICE

If this thermostat is replacing a control that contains mercury in a sealed tube, do not place the old thermostat in the trash. Contact your local waste management authority for instructions regarding recycling and proper disposal of this control or of an old control containing mercury in a sealed tube.

STEP 3. CONNECT WIRES TO NEW THERMOSTAT

IMPORTANT

All wiring must comply with local building codes and ordinances. If you are unsure about household wiring procedures, please call your local heating/cooling contractor.

1. Remove the cover on the new thermostat. To remove the cover, insert your thumb into the indentation on the side and pull the cover away from the thermostat (see Fig. 3).
2. Loosen the R and W terminal screws on the back of the new thermostat (see Fig. 4).
3. Remove the two wires from the pencil and attach one wire to the R terminal and the other wire to the W terminal (see Fig. 4 and 5).
4. Plug the hole in the wall with insulation to prevent a warm or cool draft from affecting the operation of the thermostat.

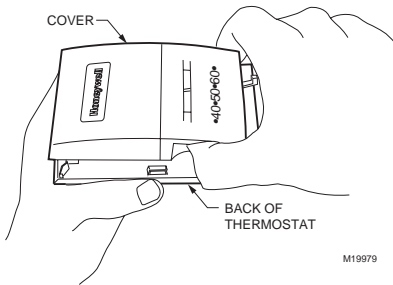


Fig. 3. Remove cover on new thermostat.

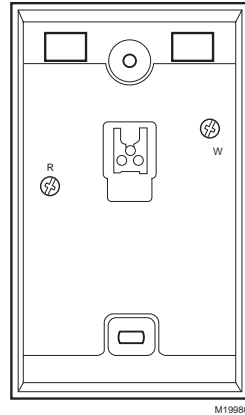


Fig. 4. R and W terminals on new thermostat.

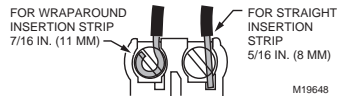


Fig. 5. Wraparound and straight wiring connections.

STEP 4. MOUNT NEW THERMOSTAT TO WALL

1. Position the thermostat on the wall. Place a level on top of the thermostat and use a pencil to mark the two mounting holes on the wall (see Fig. 6).
2. Move the thermostat to the side and drill the mounting holes in the wall using a 1/16 in. drill bit at the locations you marked.
3. Position the thermostat over the drilled holes and loosely insert the mounting screws into the drilled holes. Check the leveling of the thermostat and tighten the mounting screws. Do not over tighten.
4. Remove styrofoam packing material that holds the mercury switch in place during shipping.

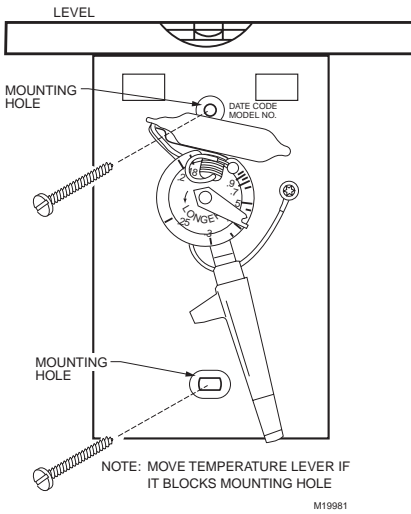


Fig. 6. Mount new thermostat to wall.

STEP 5. SET HEAT ANTICIPATOR ON NEW THERMOSTAT

1. Set the heat anticipator lever to the number that you recorded in **Step 2. Remove Old Thermostat**, sub-step 4 (see Fig. 7).

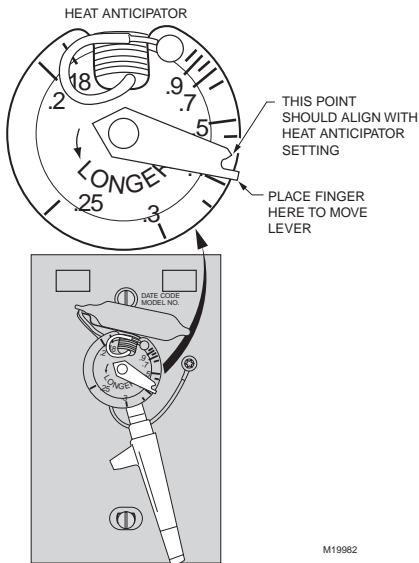


Fig. 7. Heat anticipator on new thermostat.

2. If you could not find a heat anticipator setting on your old thermostat, use the setting listed in Table 1 for your type of heating system.

Table 1. Heat Anticipator Setting.

Heating System	Heat Anticipator Setting (Amps)
Hot Water	.8
High Efficiency Warm Air (90% or better)	.8
Gas or Oil Warm Air	.4
Electric	.3

3. Place the cover on the thermostat and turn the power back on. If the heating system runs too long to maintain a comfortable temperature, adjust heat anticipator lever clockwise one scale mark (see Fig. 7). Do not adjust heat anticipator below .3 Amps. If the heating system needs to run longer to maintain a comfortable temperature, adjust heat anticipator lever counterclockwise, in the direction of the arrow, one scale mark (see Fig. 7).

STEP 6. OPERATING NEW THERMOSTAT

1. Adjust the temperature setting lever to your desired setting. If it is too warm, lower the temperature setting. If it is too cool, raise the temperature setting.

STEP 7. ADJUSTABLE RANGE STOPS

1. The T822 Thermostat comes equipped with adjustable range stops (see Fig. 8). The range stops are factory set to allow for maximum adjustment of the temperature lever. If you choose to limit the adjustment of the temperature lever, set range stops to your desired setting.

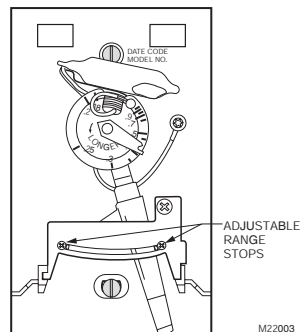


Fig. 8. Set adjustable range stops.

IF YOU HAVE A PROBLEM

If . . .	Then . . .
Heating system does not come on.	<ul style="list-style-type: none"> • Make sure the temperature setting is above the room temperature. • Make sure the circuit breaker is not tripped and reset it if necessary. • Make sure the power switch at the equipment is in the On position. • Wait 5 minutes for the system to respond.
Heating system runs too long to maintain a comfortable temperature.	<ul style="list-style-type: none"> • Verify the thermostat is level. • Adjust heat anticipator lever clockwise one scale mark (see Fig. 7). Do not adjust heat anticipator below .3 Amps.
Heating system needs to run longer to maintain a comfortable temperature.	<ul style="list-style-type: none"> • Verify the thermostat is level. • Adjust heat anticipator lever counterclockwise, in the direction of the arrow, one scale mark (see Fig. 7).
Temperature lever cannot be set to the highest and/or lowest setting on the temperature scale.	<ul style="list-style-type: none"> • Adjust temperature range stops (see Fig. 8).

Customer Assistance

Please read and follow the provided instructions for this thermostat. For additional information, go to www.honeywell.com/yourhome or call Honeywell Customer Care at 1-800-468-1502.

Before calling, please have the following information available:

- Thermostat model number and date code (refer to Fig. 6 for the location of the model number and date code).
- Type of heating system (for example: gas or oil; warm air, hot water).

Honeywell

Automation and Control Solutions

Honeywell International Inc.
1985 Douglas Drive North
Golden Valley, MN 55422

Honeywell Limited-Honeywell Limitée
35 Dynamic Drive
Scarborough, Ontario
M1V 4Z9

