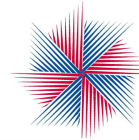


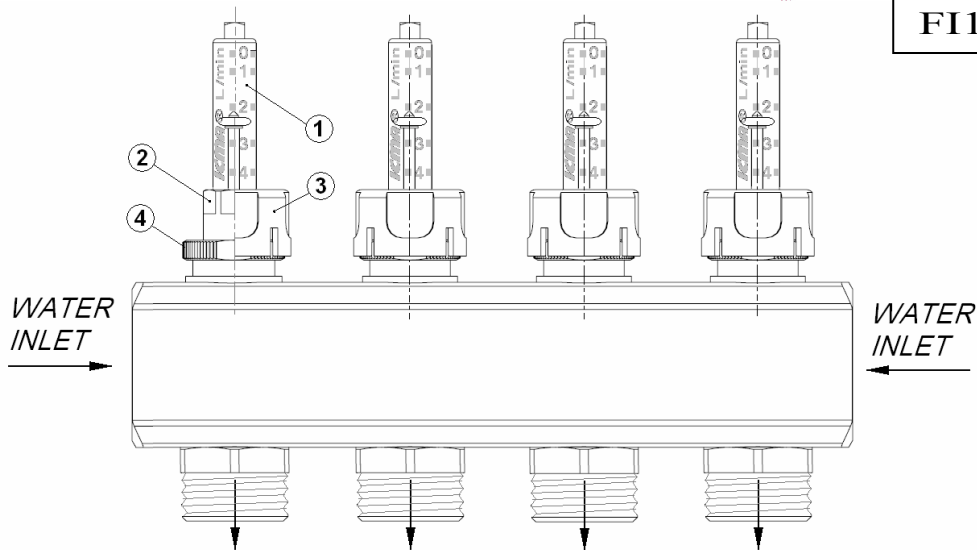
# FLOW MEMORY METER

## MEMORY PLUS



**ICMA**<sup>®</sup>  
dal 1974  
tecnologia per il riscaldamento

FI168ENBN



### USE

The MEMORY PLUS flow meter is installed on distribution manifolds for underfloor heating systems and it allows to display in real-time the exact flow rate in each circuit. Thanks to its high precision, it also allows a calibration of the water flow even at the lowest flows. It is available for 0-4 l/min & 0-8 l/min flow rates.

### OPERATING INSTRUCTIONS

The MEMORY PLUS flow meter allows to memorize the desired setting and to open and close the flow meter without losing the calibration previously set.

Please respect the following procedures to set the flow meter:

- Fully open the MEMORY PLUS flow meter turning the capsule (1) anti-clockwise by using the key Art. 718 included. This is essential to obtain a correct setting.
- Remove the ring number (3).
- Turn gently the brass setting ring (2) clockwise till you reach the desired flow in the capsule (1). This can be done by turning upside down the ring number (3) using its hexagonal side to set the needed flow rate.
- To prevent occasional and undesired manipulations it is necessary to lock the ring number (3) on the brass setting ring (2) as well as on its milled brass lower side (4). You can now open and close the MEMORY PLUS flow meter by turning the capsule (1) without losing the setting previously done. During the usual MEMORY PLUS flow meter functioning the capsule must *always* be placed in the fully open position.

