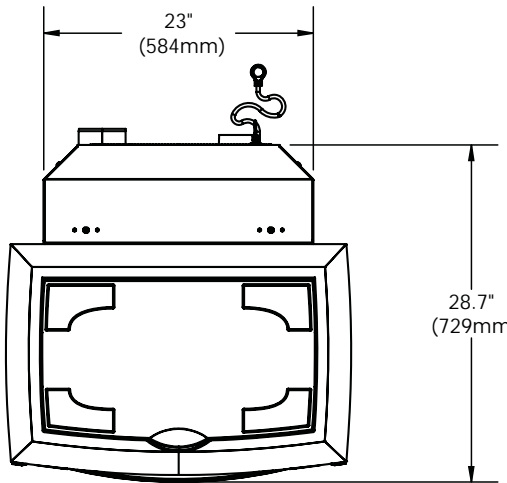
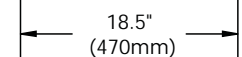
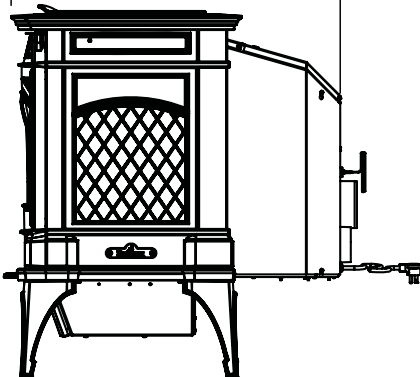
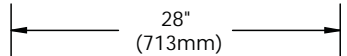
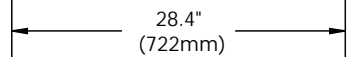
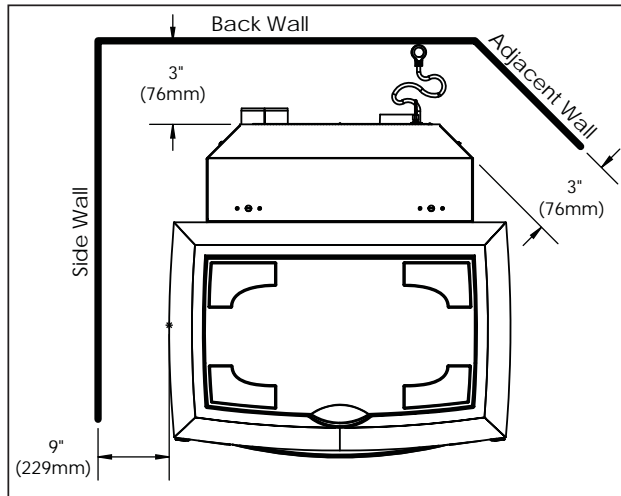
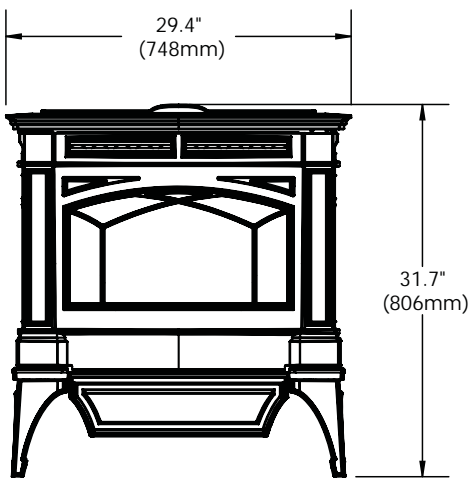


## GC60 Hampton Freestanding Cast Iron Pellet Stove



### CLEARANCES TO COMBUSTIBLES



These dimensions are minimum clearances but it is recommended that you ensure sufficient room for servicing, routine cleaning and maintenance.

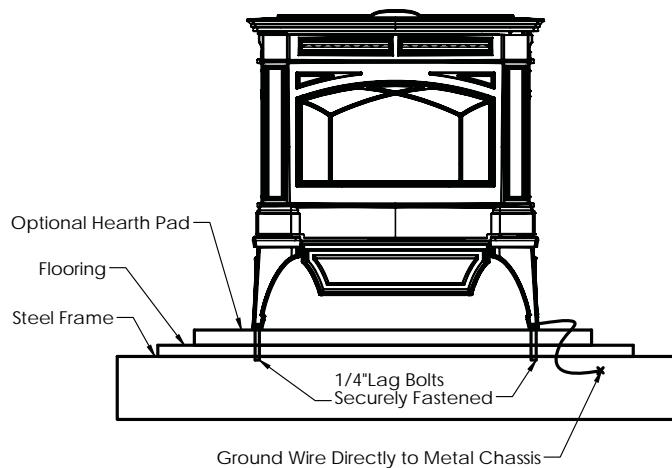
Side wall to unit	9 inches	(22.9 cm)
Back wall to unit	3 inches	(76 cm)
Corner to unit	3 inches	(76 cm)
Ceiling height	60 inches	(152 cm)

Alcove Maximum Depth	36 inches (91 cm)
Alcove Minimum Width	48 inches (122 cm)
Alcove Minimum Height	60 inches (152 cm)

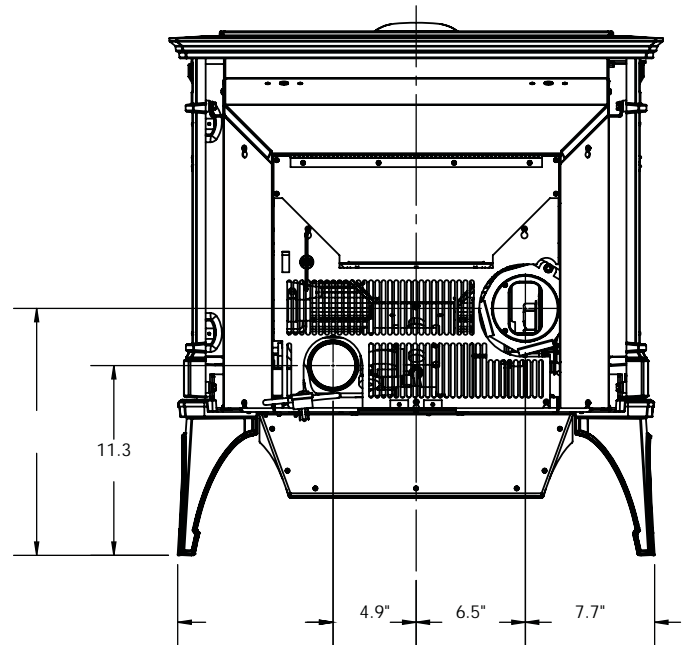
The unit must be installed with a minimum of 6" (152 mm) of floor protection in front of and to the sides of the door opening.

## MOBILE HOME INSTALLATION

- Secure the heater to the floor using the four (4) holes in the pedestal.
- Ensure the unit is electrically grounded to the chassis of your home (permanently).
- Do not install in a room people sleep in.
- Outside fresh air is mandatory. Secure outside air connections directly to fresh air intake pipe and secure with three (3) screws evenly spaced.
- All specified components must be used. Do not use any components other than what's specified.



## EXHAUST AND FRESH AIR INTAKE LOCATION



**This unit uses a 4" exhaust vent.**

### EXHAUST:

Base of unit to center of flue  
15½" (392 mm)

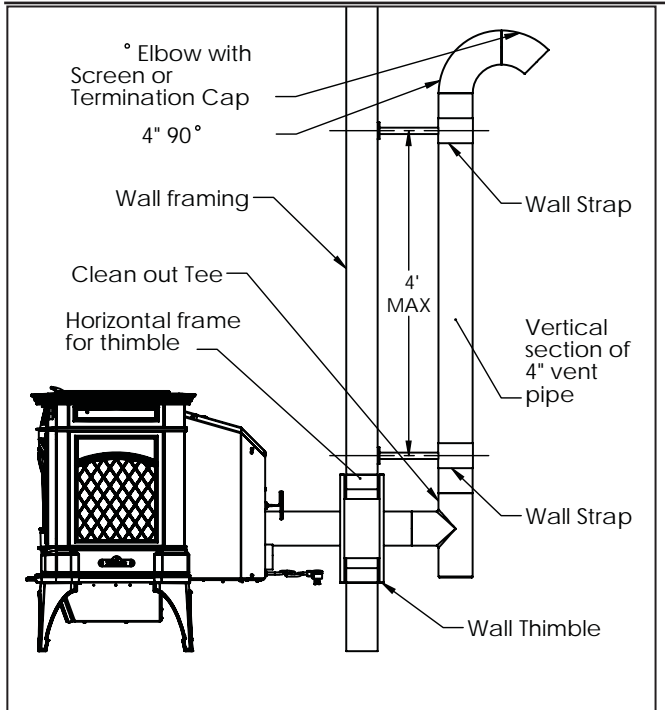
Center of unit to center of flue  
6¾" (162 mm)

### FRESH AIR INTAKE.

Base of unit to center of intake  
12" (305 mm)

Center of unit to center of intake  
4⅞" (126 mm)

**THROUGH WALL WITH VERTICAL RISE AND HORIZONTAL TERMINATION INSTALLATION:**



**THROUGH CONCRETE WALL WITH VERTICAL RISE INSTALLATIONS:**

