

Multi-Port Centrifugal Fans for Round Duct

when you need to exhaust many points to one



CVS Series

Fantech CVS Series

Compact, quiet and dependable

Multi-unit housing makes incredible demands on ventilation. Fantech's CVS Series inline duct fans are designed to meet those challenges with ease.

These lightweight circular duct fans have been engineered for installation in areas with limited space, such as between floors in apartment buildings or high rise suites. The multi-port direct driven centrifugal fan can exhaust up to several points and multiple applications into one central point without the use of adapters or transitions. The motorized impeller is both statically and dynamically balanced as one integral unit, for vibration-free and whisper-quiet performance.

- Model CVS 275A allows for two ventilation points, delivering 220 CFM @ .2" WG
- Model CVS 300A and Model CVS 400A allow for four ventilation points, delivering 320 CFM @ .2" WG (CVS 300A), and 380 CFM @ .2" WG (CVS 400A)

Easy installation. All parts included.

Fantech CVS fans are simple to install, with all parts included (ducted exhaust fan casing, motor assembly, cover, and sheet metal screws).

Simply select the fan mounting location, taking into account the type of application, service accessibility, and distance from exhaust point (to minimize fan operating noise). Next, fasten the mounting casing to the ceiling, using either threaded rod or wires to suspend the unit. Finally, connect the ductwork to inlet and outlet of the fan using CB or FC clamps or duct tape. Congratulations—you've just installed one of the world's finest multi-port fans.



Top photo – 2-port model 275A. Right-hand photo 4-port models 300A and 400A.



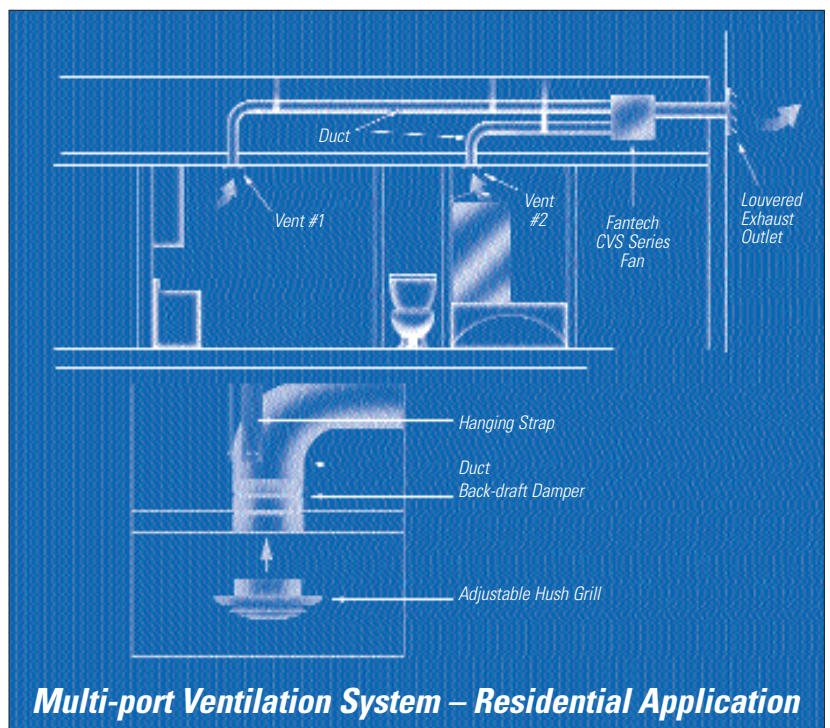
CVS Series Fans

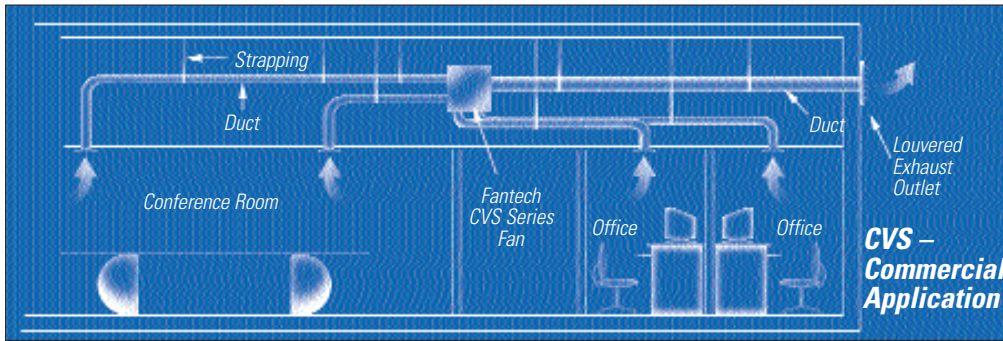
For all these reasons... and more

- Galvanized steel housing
- External rotor motor with backward-curved centrifugal fan wheel constructed of high-density polyamide, easily removable from housing for service without disturbing the installation
- Internal scroll for maximum air performance
- Well-designed inlet venturi for optimum efficiency
- Permanently lubricated sealed ball bearings
- 100% speed controllable for highly efficient and economical airflow
- Suitable for airstream temperatures up to 140° F
- UL Listed; CSA Certified
- Five-year warranty



Fantech's external rotor motor. Quiet, efficient and reliable.

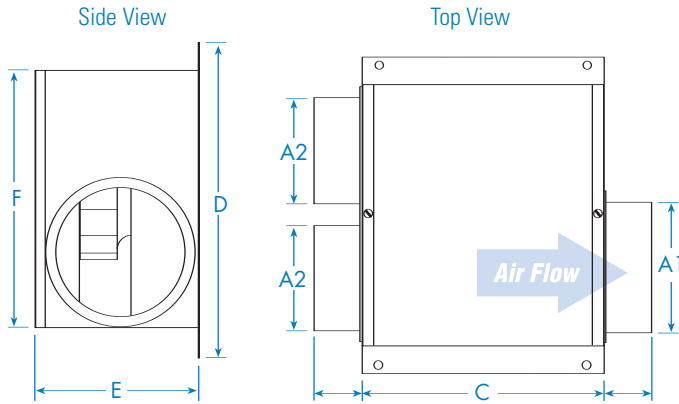




CVS400A and CVS300A multi-port ventilation fans are powerful, quiet and efficient. In the workplace or at home Fantech is "Your Ventilation Solutions Company".

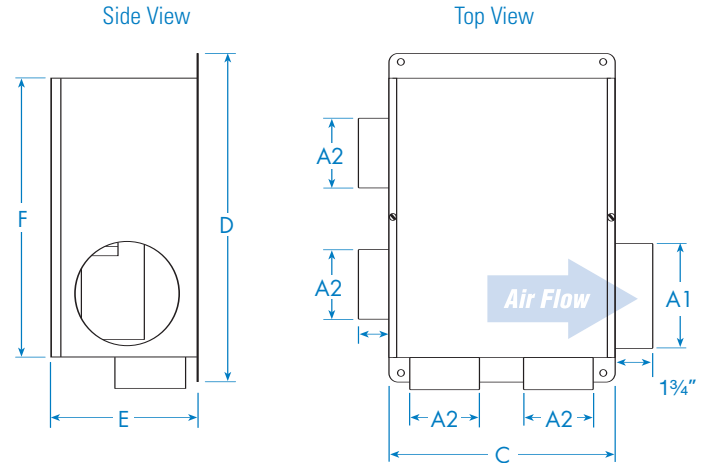
Specifications

CVS Series Dimensional Data



model	A1	A2	C	D	E	F
CVS275A	6	5	11	15	7 ⁷ / ₈	12

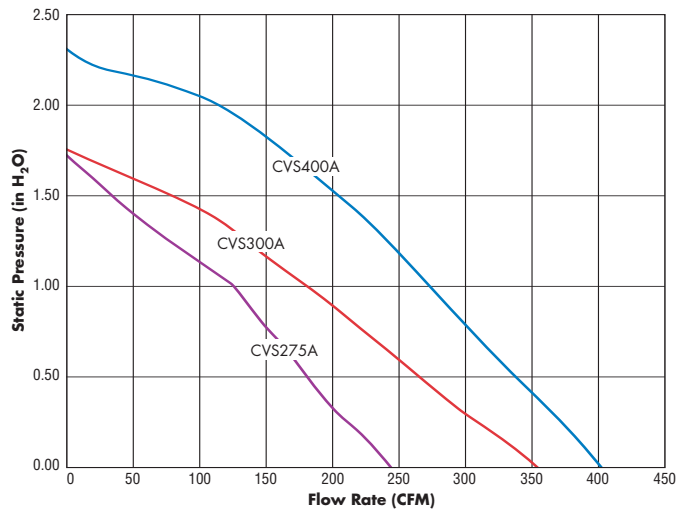
All dimensions in inches. ¹ Duct connections are 1/8" smaller than duct size.



model	A1	A2	C	D	E	F
CVS300A	6	4	13	18 ³ / ₄	8 ¹ / ₄	16
CVS400A	6	4	13	18 ³ / ₄	8 ¹ / ₄	16

All dimensions in inches. ¹ Duct connections are 1/8" smaller than duct size.

CVS Series Air Performance Graph



CVS Series Performance Data

Fan Model	RPM	Volts	Rated Watts	Wattage Range	Max. Amps	Static Pressure in Inches W.G							Max. Ps	Duct Dia.
						0"	.2"	.4"	.6"	.8"	1.0"	1.5"		
CVS275A	2550	115	92	78 - 93	0.79	245	220	192	171	147	126	34	1.72"	5"
CVS300A	2500	115	123	110 - 123	1.07	355	320	283	249	215	180	79	1.76"	4"
CVS400A	2950	115	156	130 - 158	1.41	404	380	352	324	299	274	204	2.30"	4"

CVS Series performance is shown with ducted outlet. Per HVI's Certified Ratings Program, charted air flow performance has been derated by a factor based on actual test results and the certified rate at .2 inches WG.