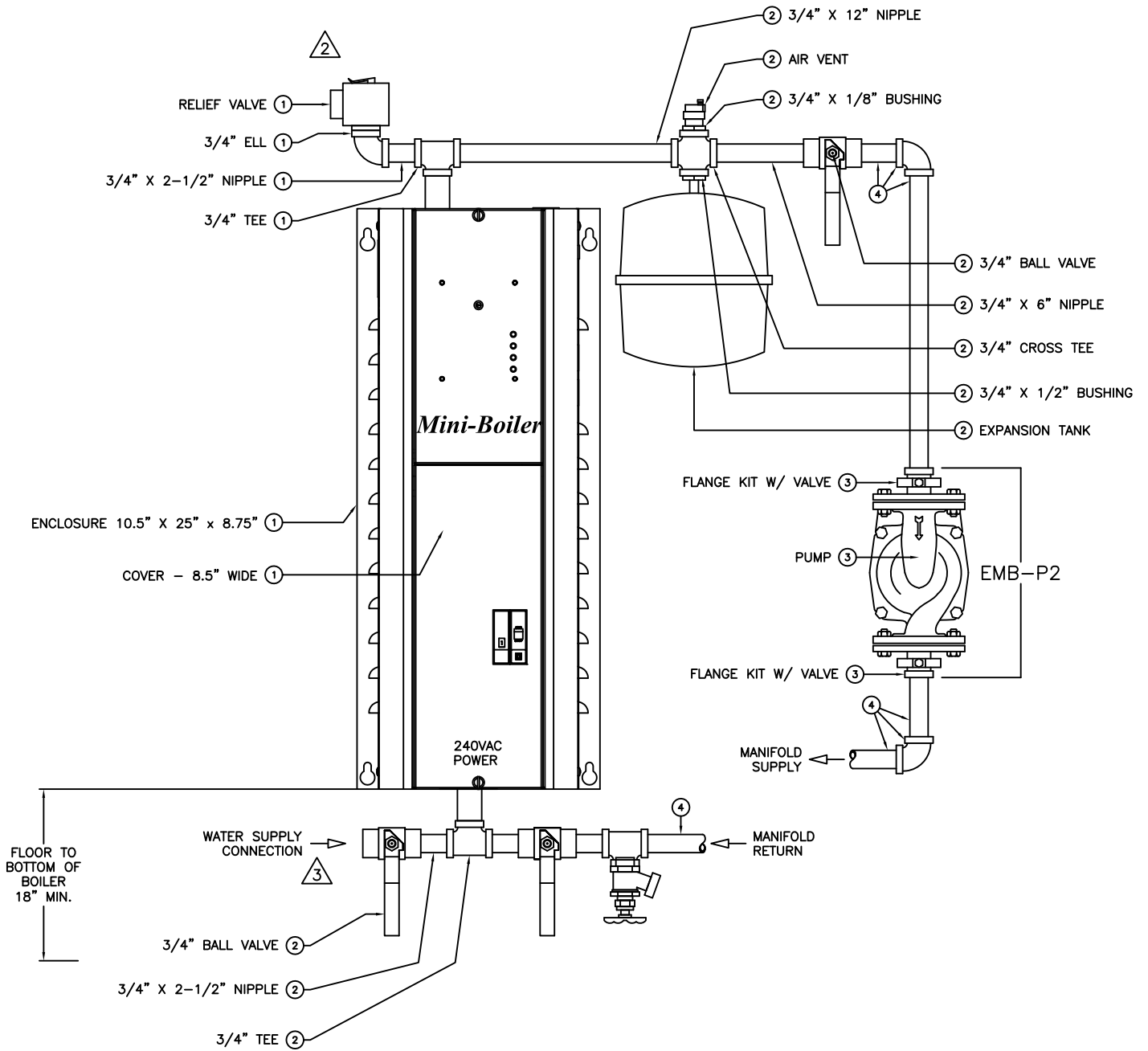


"BASIC" MECHANICAL PIPING DIAGRAM



LEGEND

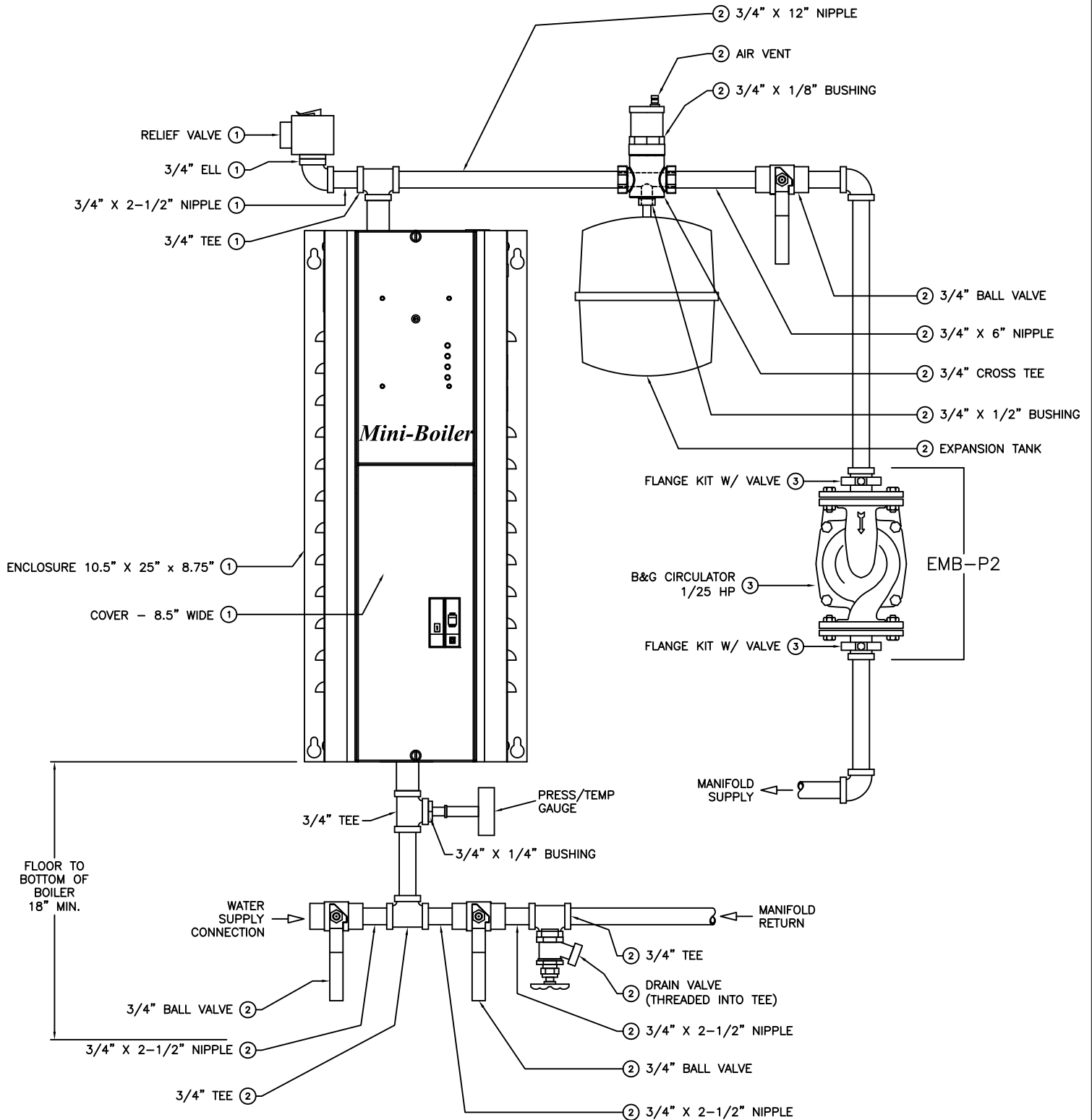
- ① COMPONENTS INCLUDED WITH EMB-S-1, EMB-S-2, EMB-S-4, EMB-S-5, EMB-S-7, EMB-S-9.
- ② COMPONENTS INCLUDED WITH EMB-BK KIT
- ③ COMPONENTS INCLUDED WITH EMB-P2 (PUMP) KIT
- ④ COMPONENTS NOT INCLUDED, SHOWN FOR REFERENCE ONLY

NOTES:

1. INSTALLATION KIT (PART NUMBER EMB-BK) INCLUDES ALL PIPING PARTS (LESS PUMP & FLANGES) EXTERNAL TO THE 9.5" X 30" X 7" ENCLOSURE.
2. ADD NECESSARY DRAIN PIPE.
3. SEE INSTRUCTION MANUAL FOR PRESSURE CONCERNS AND MAY NEED BACKFLOW PREVENTER.



"PREFERRED" MECHANICAL PIPING DIAGRAM



LEGEND

- ① COMPONENTS INCLUDED WITH EMB-S-1, EMB-S-2, EMB-S-4, EMB-S-5, EMB-S-7, EMB-S-9.
- ② COMPONENTS INCLUDED WITH EMB-BK KIT
- ③ COMPONENTS INCLUDED WITH EMB-P2 (PUMP) KIT
- ④ COMPONENTS NOT INCLUDED, SHOWN FOR REFERENCE ONLY

