

---

# ELECTRIC BOILERS

---

 **Made in USA**



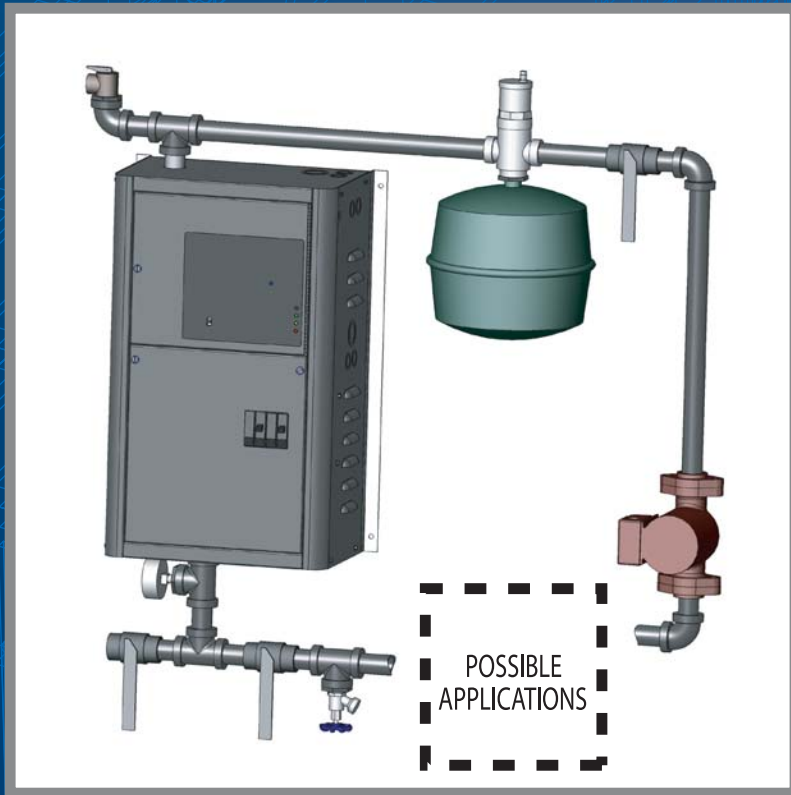
*A complete product line to fit all your application needs*

The Electro-Boiler™ has been heating America's homes and businesses since 1980. We take pride in our craftsmanship and we use only the best materials to ensure a high quality product. We are committed to you and we are confident that you will be completely satisfied with the Electro-Boiler.



**Electro**  
Providing Comfort Through  
Efficient Energy Solutions

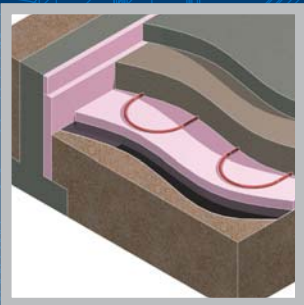
# Electro-Boiler™ Applications



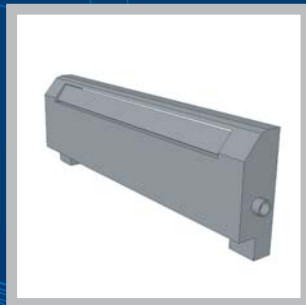
Electro Industries' Electro-Boiler products are packaged with features, advanced technology, and quality construction that are carefully made in the USA to ensure easy installation and exceptionally long service life.

This is backed by our 15-year vessel and element limited warranty\* and our 2-year controls limited warranty.

Our attention to quality doesn't stop at our boilers; we offer direct, live and local technical support with over 25 years of boiler manufacturing experience.



Radiant Heat Storage



Baseboard



Dual Boiler



Backup

\*Certain conditions apply. †Optional equipment not included with basic boiler. ‡Built in accordance to ASME Section IV.

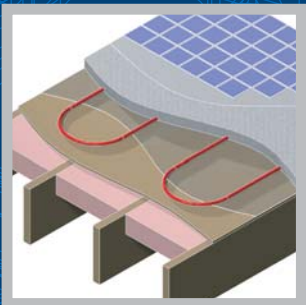
Achieve ultimate system control using our communicating Zone Controllers which enhance the staging of the Electro-Boiler:

- Zone valves or pumps
- Dual temperature
- Priority zone
- 40VA transformer
- Digital or standard thermostats

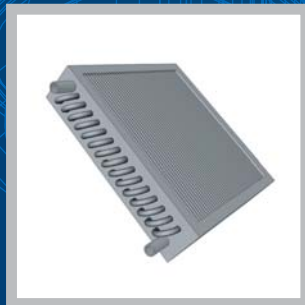


Together with these world-class features the Electro-Boiler also includes:

- Easy access controls for professional installations
- Internal circulator pump relay to simplify wiring
- Communicating zone controls<sup>†</sup> for the ultimate in complete system control
- Simple to use utility load control connections
- Front panel LED indicator lights for easy to read boiler status
- Quiet operation
- Temperature output sensing enabling the desired design temperature
- Easy setup controls to reduce installation time
- ASME H Stamp<sup>‡</sup> and CSA approved to assure years of reliable service



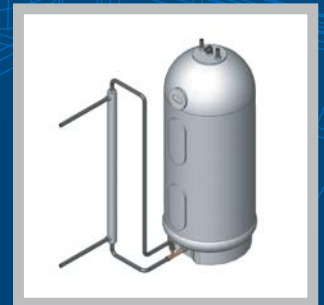
Radiant Floor



Water Coil



Radiator



Water-to-Water Heat Exchanger

Whether you are installing a simple, single zone system or a system with multiple boilers and zones we have the boiler and accessories to meet your needs. Contact your Electro Industries distributor today.



## MINI-BOILER SERIES

### Dimensions

- 12"W x 34"H x 7"D
- 3/4" NPT
- 53 lbs
- 0.95 gallon vessel

### Specification Sheet

- BL305

Model	kW	Btu/h	Amps	Voltage	Breakers
EMB-2	2.5	8,500	21	120	N/A
EMB-4	5	17,000	42	120	N/A
EMB-5	4.5	15,000	19	240	N/A
EMB-9	9	31,000	38	240	N/A
EMB-W-9*	9	31,000	38	240	N/A

\*The "W" version is equipped with the WarmFlo® control.

Model	kW	Btu/h	Amps	Voltage	Breakers
EB-MS-10	10	34,000	42	240	60
EB-MS-15	15	51,000	63	240	60, 30
EB-MS-20	20	68,000	83	240	60, 60
EB-MA-10	10	34,000	42	240	60
EB-MA-15	15	51,000	63	240	60, 30
EB-MA-20	20	68,000	83	240	60, 60
EB-MO-10	10	34,000	42	240	60
EB-MO-15	15	51,000	63	240	60, 30
EB-MO-20	20	68,000	83	240	60, 60

## MIDSIZE SERIES

### Dimensions

- 17"W x 28"H x 10"D
- 1" NPT
- 75 lbs
- 2.20 gallon vessel

### Specification Sheet

- BL509



## TS SERIES

### Dimensions

- 17"W x 38"H x 17"D
- 1-1/4" NPT
- 150 lbs
- 6.55 gallon vessel

### Specification Sheet

- BL506

Model	kW	Btu/h	Amps	Voltage	Breakers
EB-S-13	13.5	46,000	56	240	60, 30
EB-S-18	18	61,000	75	240	60, 60
EB-S-23	22.5	80,000	94	240	60, 60, 30
EB-S-27	27	92,000	113	240	60, 60, 60
EB-WA-13	13.5	46,000	56	240	60, 30
EB-WA-18	18	61,000	75	240	60, 60
EB-WA-23	22.5	80,000	94	240	60, 60, 30
EB-WA-27	27	92,000	113	240	60, 60, 60
EB-WO-13	13.5	46,000	56	240	60, 30
EB-WO-13-2	13.5	46,000	38	208/3-Phase	50
EB-WO-18	18	61,000	75	240	60, 60
EB-WO-23	22.5	80,000	94	240	60, 60, 30
EB-WO-27	27	92,000	113	240	60, 60, 60
EB-WO-27-2	27	92,000	75	208/3-Phase	100

Model	kW	Btu/h	Amps	Voltage	Breakers
EB-C-18-48	18	61,500	22	480/3-Phase	30
EB-C-36-48	36	123,000	44	480/3-Phase	60
EB-C-54-48	54	184,000	65	480/3-Phase	80
EB-C-27-20	27	92,000	75	208/3-Phase	100
EB-C-40-20	40.5	138,000	113	208/3-Phase	150
EB-C-27-24	27	92,000	65	240/3-Phase	80
EB-C-40-24	40.5	138,000	98	240/3-Phase	125
EB-C-31	31.5	107,500	131	240/Single Phase	80, 80
EB-C-36	36	123,000	150	240/Single Phase	100, 100

## COMMERCIAL SERIES

### Dimensions

- 20"W x 38"H x 21"D
- 2" NPT
- 230 lbs
- 13.12 gallon vessel

### Specification Sheet

- BL508



Specifications subject to change without notice, all rights reserved.

Providing Comfort Through Efficient Energy Solutions



**ELECTRO INDUSTRIES, INC.**

2150 West River Street, PO Box 538, Monticello, MN 55362  
763.295.4138 • 800.922.4138 • fax 763.295.4434  
sales@electromn.com • www.electromn.com