

Heatguard® 110-HX Series

DESCRIPTION

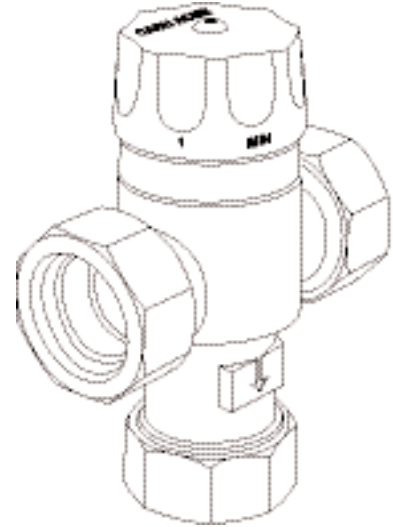
The Heatguard® 110-HX is a Temperature Actuated Mixing Valve that mixes hot water with cold to deliver hot water at a reduced temperature.

The Heatguard® 110-HX has an outlet temperature range extending to 176° F (80° C), making it ideal for application in heating systems.

The Heatguard® 110-HX is a high quality mixing valve incorporating Thermostatic Technology. It features a robust design based on the expertise gained from years of experience in the design and manufacture of safety valves. Every valve is tested for performance on an automated testing station during the assembly process. The valve third party listed.

The Heatguard® 110-HX incorporates a thermostatic element that senses the outlet water temperature and reacts to maintain a stable delivery temperature.

The Heatguard® 110-HX is available with 1/2", 3/4" and 1" on all three ports, via a union connection arrangement. A base valve without fittings and a range of additional Fittings Kits are also available.



HEATGUARD® THERMOSTATIC MIXING VALVES

FEATURES AND BENEFITS

High flow rate design for lower pressure losses within the system:
More efficient system performance for lower running costs.

Every valve is tested prior to shipping:
Specify and install with confidence!

Robust, low complexity construction:
Superior reliability, improved user safety.

Integral union connections on all three ports:
Easy and quick to install and service.

Adjustable and lockable handle:
Minimizes unauthorized tampering with valve setting.

Listed by IAPMO and ASSE:
Inspector friendly, peace of mind!

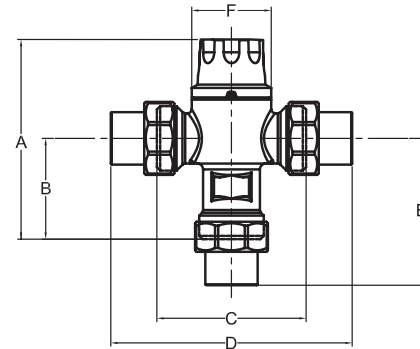
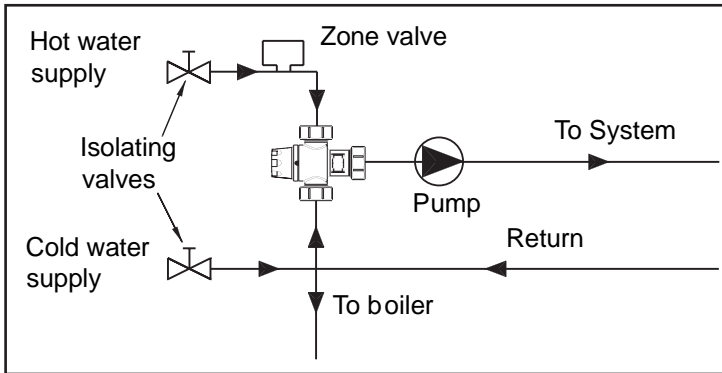
SPECIFICATION

A Temperature Actuated Mixing Valve shall be installed in conjunction with the water heating source to distribute tempered water to the system. The valve shall be third party certified and listed. The temperature actuated mixing valve shall control the delivered water temperature via a regulating piston made from engineering polymer. The adjusting mechanism shall be lockable to prevent tampering. The valve shall be a Cash Acme Heatguard® 110-HX.

Heatguard® 110-HX Series

TYPICAL INSTALLATION

The Heatguard® 110-HX is a high performance Temperature Actuating Mixing Valve for use in heating systems.



Dimensions	A	B	C	D	E	F
Base Valve	4.1 (103)	2.1 (52)	3.0 (76)	*	*	1.6 (41)
1/2" Sweat	4.1 (103)	2.1 (52)	3.0 (76)	4.4 (112)	2.6 (66)	1.6 (41)
3/4" Sweat	4.1 (103)	2.1 (52)	3.0 (76)	4.9 (124)	3.0 (76)	1.6 (41)
1" Sweat	4.1 (103)	2.1 (52)	3.0 (76)	7.2 (184)	4.2 (106)	1.6 (41)

* Please Refer to Fittings Kits Spec. Sheet (CC001) for Dimensions.

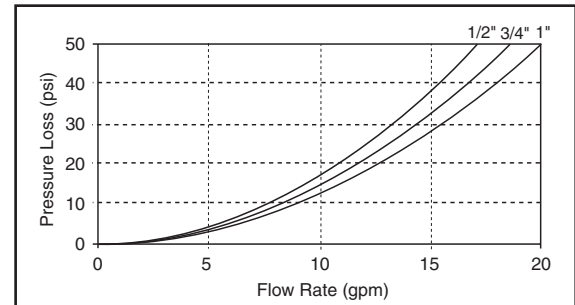
SPECIFICATION DATA

Performance:

- Outlet temperature range95 - 176°F (35 - 80°C)
- Temp. hot supply195°F (90°C) max.
- Temp. cold supply39 - 80°F (4 - 27°C)
- Temp. stability+/- 5° F (3°C)
- Working pressureMax. 145 psi (1,000 kPa)
- Flow rate, maximum20 gpm
- Flow rate, minimum1 gpm

Materials:

- BodyBronze, nickel plated
- SealsNitrile elastomer
- SpringsStainless steel
- FittingBrass
- InternalBrass
- PistonEngineered polymer
- Guide tubeEngineered polymer



CONNECTIONS (sold separately)*

- Sweat1/2", 3/4" and 1"
- Sweat w/ check1/2" and 3/4"
- Barb1/2", 3/4" and 1"
- Barb w/ Check1/2", 3/4" and 1"
- Compression1/4" ID (3/8" OD), 1/2" ID (5/8" OD), 3/4" ID (7/8" OD)
- Comp. w/ check1/4" ID (3/8" OD), 1/2" ID (5/8" OD), 3/4" ID (7/8" OD)
- Threaded (NPT)1/2" and 3/4"
- Threaded (NPT) w/ check1/2" and 3/4"
- CPVC1/2" and 3/4"
- CPVC w/ Check1/2" and 3/4"

CERTIFICATIONS

The Cash Acme Heatguard® 110-HX is certified to ASSE 1017 and CSA B125.
The Cash Acme Heatguard® 110-HX is listed by ASSE and IAPMO.