

# Heatguard® 110-D Series

## DESCRIPTION

The Heatguard® 110-D is a Temperature Actuated Mixing Valve that mixes hot water with cold to deliver tempered water at a controlled temperature to 120°F maximum. The Heatguard® 110-D is designed to assist in the prevention of scalding.

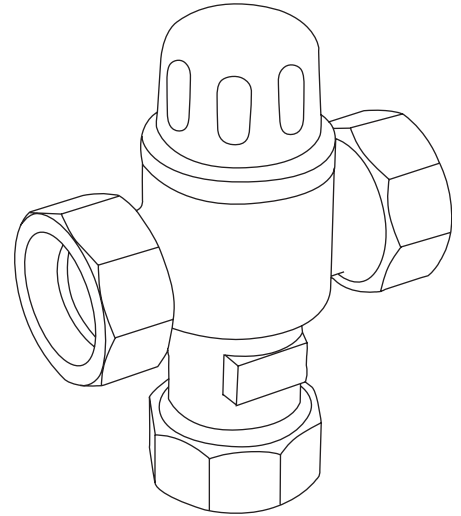
The Heatguard® 110-D is intended for installation at the water heater to distribute controlled temperature water through a domestic hot water system. The valve delivers water at a maximum of 120°F, allowing the heater to be set at 140°F or higher, thus providing a greater effective volume of hot water and reducing the chances of *Legionella* bacteria growth in the water.

The Heatguard® 110-D is a high quality mixing valve incorporating the latest in Thermostatic Technology. It features a robust design based on the expertise gained from years of experience in the design and manufacture of safety valves. Every valve is tested for performance on an automated testing station during the assembly process. The valve is third party listed.

The Heatguard® 110-D incorporates a fast acting, high quality thermostatic element that senses the outlet water temperature and reacts to maintain a stable delivery temperature even under changing flows or variations in supply temperatures. The valve also greatly reduces the outlet flow in the event of a cold water supply failure.

The Heatguard® 110-D features a snap-on cover over a spindle mechanism that requires a special tool to adjust the temperature. The special tool is provided with each valve.

The Heatguard® 110-D is available as a base valve with union connections to suit the range of Heatguard Fittings Kits in 1/2", 3/4" and 1" sizes, including sweat, CPVC, PEX, threaded, compression and 4in1 service fittings.



**HEATGUARD®**  
THERMOSTATIC MIXING VALVES

## FEATURES AND BENEFITS

Delivers water at a maximum of 120°F throughout the system:  
*Safer hot water from all outlets.*

Allows the heater to be set at 140°F or higher:  
*Greater effective hot water volume yields less chance of Legionella within the cylinder.*

Every valve is tested for performance prior to shipping:  
*Specify and install with confidence!*

Robust, low complexity construction:  
*Superior reliability, improved user safety.*

Unique, purpose designed adjuster tool:  
*Minimizes unauthorized tampering with valve setting.*

Listed by IAPMO and ASSE:  
*Inspector friendly, peace of mind!*

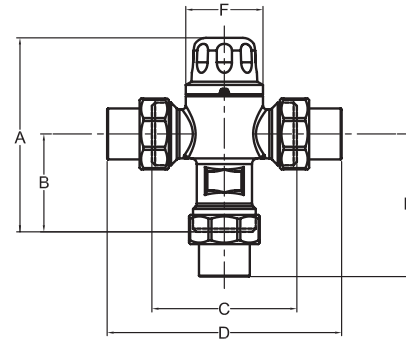
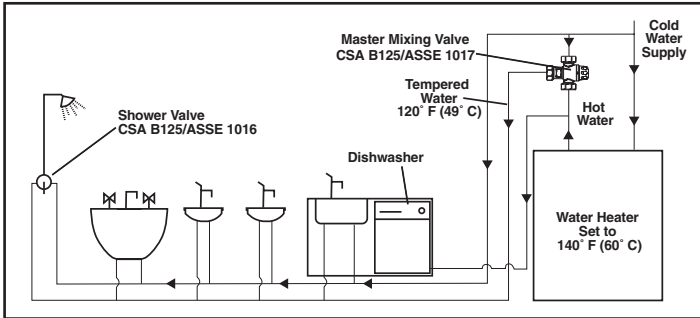
## SPECIFICATION

A Temperature Actuated Mixing Valve shall be installed at the water heater to distribute tempered water throughout the domestic hot water system at a maximum of 120°F. The valve shall be third party listed. The temperature actuated mixing valve shall control the delivered water temperature via a regulating piston made from engineering polymer. A special tool shall be required to adjust the outlet temperature and the adjusting mechanism shall be hidden by a snap-on cover. The valve shall be a **Cash Acme Heatguard® 110-D**.

# Heatguard® 110-D Series

## TYPICAL INSTALLATION

To control water temperature at the source of heat (hot water tank) to provide a safe distribution of temperature.



Dimensions	A	B	C	D	E	F
Base Valve	4.1 (103)	2.1 (52)	3.0 (76)	*	*	1.6 (41)
1/2" Sweat	4.1 (103)	2.1 (52)	3.0 (76)	4.4 (112)	2.6 (66)	1.6 (41)
3/4" Sweat	4.1 (103)	2.1 (52)	3.0 (76)	4.9 (124)	3.0 (76)	1.6 (41)
1" Sweat	4.1 (103)	2.1 (52)	3.0 (76)	7.2 (184)	4.2 (106)	1.6 (41)

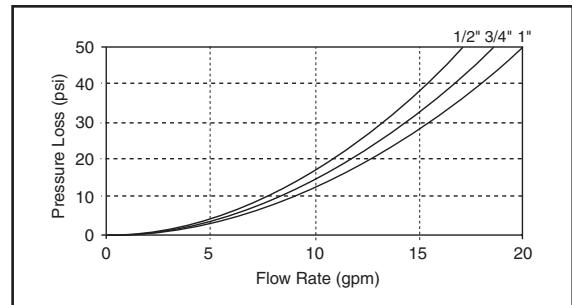
## SPECIFICATION DATA

### Performance:

- Outlet temperature range . . . . .95 - 120°F (35 - 49°C)
- Temp. hot supply . . . . .195°F (90°C) max.
- Temp. cold supply . . . . .39 - 80°F (4 - 27°C)
- Temp. stability . . . . .+/- 5°F (3°C)
- Working pressure . . . . .Max. 145 psi (1,000 kPa)
- Flow rate, minimum . . . . .1.0 gpm
- Flow rate, maximum . . . . .20 gpm

### Materials:

- Body . . . . .Bronze, nickel plated
- Seals . . . . .Nitrile elastomer
- Springs . . . . .Stainless steel
- Fitting . . . . .Brass
- Internal . . . . .Brass
- Piston . . . . .Engineered polymer
- Guide tube . . . . .Engineered polymer



## CONNECTIONS (sold separately)

- Sweat . . . . .1/2", 3/4" and 1"
- Sweat w/ check . . . . .1/2" and 3/4"
- Barb . . . . .1/2", 3/4" and 1"
- Barb w/ Check . . . . .1/2", 3/4" and 1"
- Compression . . . . .3/8" OD (1/4" ID), 1/2" ID (5/8" OD), 3/4" ID (7/8" OD)
- Compression w/ check . . . . .3/8" OD (1/4" ID), 1/2" ID (5/8" OD), 3/4" ID (7/8" OD)
- Threaded (NPT) . . . . .1/2" and 3/4"
- Threaded (NPT) w/ check . . . . .1/2" and 3/4"
- CPVC . . . . .1/2" and 3/4"
- CPVC w/ Check . . . . .1/2" and 3/4"

## CERTIFICATIONS

The Cash Acme Heatguard® 110-D is certified to ASSE 1017 and CSA B125.  
 The Cash Acme Heatguard® 110-D is listed by ASSE and IAPMO.