

HEAT RELEASE KIT

KIT # 946-570



www.regency-fire.com

Heat Release Kit

Approved for use with the following **Gas Fireplace** Models:

L676, L900, P36, P36D, P40, P42, P48, P90 and P95

WARNING:

Improper installation, adjustment, alteration, service or maintenance can cause injury or property damage. Refer to this manual. For assistance or additional information consult an authorized installer, service agency or the gas supplier.

FOR YOUR SAFETY

Do not store or use gasoline or other flammable vapours and liquids in the vicinity of this or any other appliance.

Installation and service must be performed by an authorized installer, service agency or the gas supplier.

FOR YOUR SAFETY

What to do if you smell gas:

- Do not try to light any appliance
- Do not touch any electrical switch: do not use any phone in your building.
- Immediately call your gas supplier from a neighbour's phone. Follow the gas supplier's instructions.
- If you cannot reach your gas supplier, call the fire department.

Tested by: Warnock Hersey



Manufactured by:

FPI Fireplace Products International Ltd.
6988 Venture St.,
Delta, B.C. Canada, V4G 1H4

**PLEASE KEEP THESE INSTRUCTIONS
FOR FUTURE REFERENCE**

HEAT RELEASE KIT

LISTINGS AND CODE APPROVALS

This Kit has been approved for use with Model L676, L900, P36, P36, P40, P42, P48, P90 and P95. This gas component has been tested in accordance with National Safety Standards, and has been certified by Warnock Hersey for installation and operation in the United States and Canada as described in these Installation and Operating Instructions.

Check with your local building code agency before you begin your installation to ensure compliance with local codes, including the need for "permits" and follow-up inspections. If any problems are encountered regarding code approvals, or if you wish clarification on any of the instructions contained here, contact your local dealer.

GENERAL INFORMATION

The Heat Release Kit expels warm air from the fireplace to the outside of the building, allowing the fireplace to be operated with less heat entering the room. The kit may be used on either the left or right side.

IMPORTANT INSTALLATION NOTES

Note: The Heat Release Kit CANNOT be used if the fireplace is placed in a 45° corner installation. The back of the fireplace MUST be positioned against an outside wall.

- 1) The appliance installation must conform with local codes or, in the absence of local codes, with the current Canadian or National Gas Codes, CAN1-B149 or ANSI Z223.1 Installation Codes.
- 2) The appliance when installed, must be electrically grounded in accordance with local codes, or in the absence of local codes with the current National Electrical Code, ANSI/NFPA 70 or CSA C22.1 Canadian Electrical Code.
- 3) This kit is tested and safe when installed in accordance with this installation manual. Please read all instructions before starting installation and follow all instructions carefully during installation.
- 4) Installation of this kit must be performed by a qualified service technician.
- 5) The Heat Release Kit must be installed only as specified. Any modifications of the kit or components will void the warranty and may cause a fire hazard.
- 6) Plan the location of the fireplace and the heat release vent position, see diagram 1 as a guide for possible duct runs and locations.

Airflow through the duct system is affected by the duct length and the number of bends. Keep the length and bends to a minimum to maximize performance.

- 7) The bottom of the exterior cap MUST be a minimum of 12" (305mm) above the finished grade. When planning the location of your fireplace, check the fireplace installation manual and ensure that all clearances are met.

Do not plant any vegetation within 24" (610mm) radius of the venting.

PARTS

Included with Kit:

1 910-165	Blower Assembly
1 946-576	Pipe Assembly
1 946-028	Firestop
1 946-035	Vent Hood
1 946-031	Damper Plate
1 940-027	Standoff Assembly
1 946-000	Duct Flange - Stove
1 946-037	Flex pipe (2 ft)
1 946-038	Insulation (24")
1 846-652	Hardware pkg. with ON/OFF switch

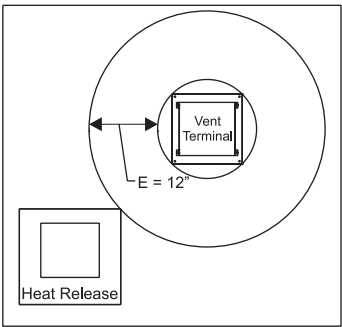
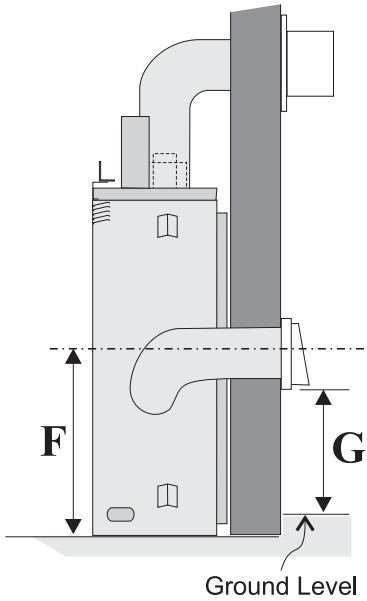
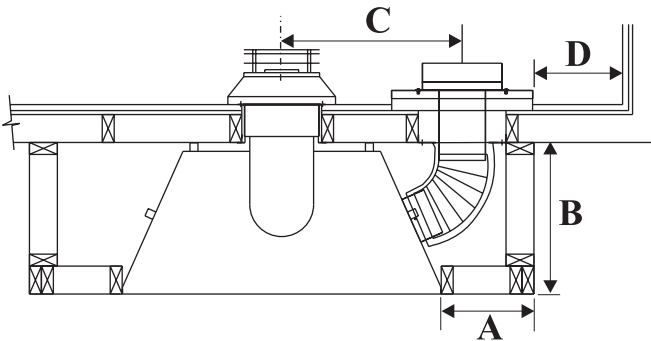
If any parts are missing or damaged, contact your dealer before starting installation. DO NOT install a damaged kit.

HEAT RELEASE KIT

CLEARANCES TO COMBUSTIBLES

Minimum Framing Clearances				
Model	A	B	C	D
P36	14" (356mm)	16" (406mm)	22-5/8" (575mm)	12" (305mm)
P36D	14" (356mm)	19" (483mm)	22-5/8" (575mm)	12" (305mm)
P40	14" (356mm)	20" (508mm)	24" (610mm)	12" (305mm)
P42	14" (356mm)	19" (483mm)	22-5/8" (575mm)	12" (305mm)
P48	14" (356mm)	26-1/4" (667mm)	32-1/2" (826mm)	12" (305mm)
P90	14" (356mm)	19-1/2" (495mm)	25-5/8" (651mm)	12" (305mm)
P95	14" (356mm)	21-1/4" (540mm)	24-5/8" (615mm)	12" (305mm)
L676	14" (356mm)	24" (610mm)	27-1/2" (699mm)	12" (305mm)
L900	14" (356mm)	27" (686mm)	27-1/2" (699mm)	12" (305mm)

Minimum Venting Clearances		
Position of Heat Release Vent from Stove Base		
Model	F	G
P36	22" (559mm)	12" (305mm)
P36D	23" (584mm)	12" (305mm)
P40	23" (584mm)	12" (305mm)
P42	24" (610mm)	12" (305mm)
P48	20" (508mm)	12" (305mm)
P90	20" (508mm)	12" (305mm)
P95	25" (635mm)	12" (305mm)
L676	24-1/4" (616mm)	12" (305mm)
L900	24-1/4" (616mm)	12" (305mm)



E = Clearance to non-mechanical air supply inlet to building or the combustion air inlet to any other appliance (12" / 305mm).

IMPORTANT

- * The air duct has a '0' clearance to combustibles with the first 24" of pipe from the unit being insulated. (Insulation included with kit.)
- * P90/P95 Heat Release ducting comes out from the side of the unit, not the top.
- * Heat Release kit is not designed for use in Style 1, Style 2 or Regency Corner Mantels.

HEAT RELEASE KIT

INSTALLATION

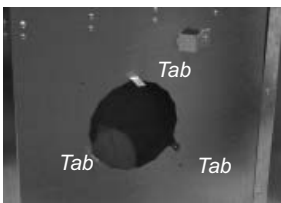
NOTE: Installation of Heat Release Kit should be done prior to drywall installation.

- 1) Remove the cover plate from the fireplace side and discard.



Remove the 2 screws holding the cover plate on the fireplace side.

- 2) Remove the knock-out and bend the tabs outward.



For P95 only:

Remove the inner plate by taking off the 3 screws. Keep in mind to hold the inner cover plate while removing the screws. Then pull out the inner plate.



Center Round Duct collar over hole and attach to the tabs using 3 screws

NOTE: This must be done prior to placing fireplace into final position.

- 3) Determine duct location. See dimension "H" in Table 1 on page 2.
- 4) Make a 2 x 4 frame with an interior hole opening of 10" x 11" (254mm x 279mm).
- 5) Cut the same opening on the exterior wall.
- 6) Install inside fire-stop, see Diagram 2.
- 7) Install the wall switch (provided in the Kit) at a convenient location. This switch will control the Heat Release fan. A variable speed type switch must NOT be used.

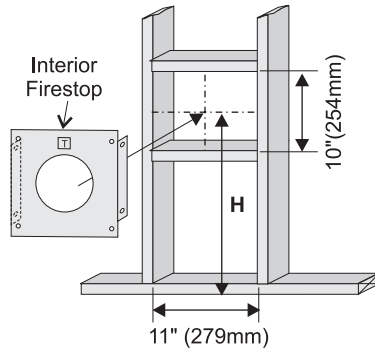
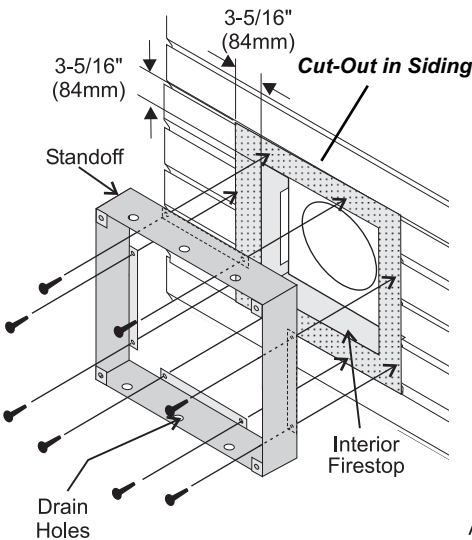
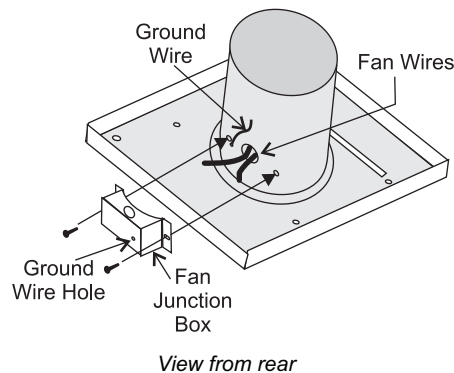


Diagram 2: Interior Firestop Installation

- 8) From the outside of the building. Determine the correct position of the Standoff by sliding the Blower Assembly into the Firestop, centering the flue and mark the outline on the outside wall. Remove the Blower Assembly and position the the Standoff in place and secure with 8 screws.



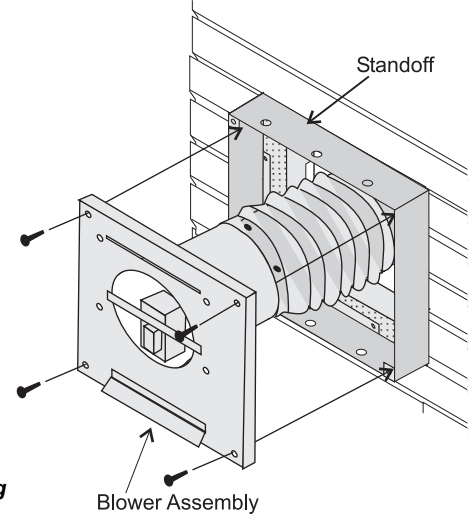
- 9) Wire 120 V AC service to the wall switch. From outside the building connect the wires from the wall switch to the fan junction box on the Blower Assembly. Use wire nuts to secure the 120 V AC service wires to the hot and neutral fan wires and screw the 120 V AC ground wire to the junction box. Secure the Fan Junction Box with 2 screws. See Wiring Diagram.



View from rear

- 10) Attach flex duct to the Blower Assembly with 3 screws and duct tape.

- 11) Then slide the Blower Assembly into the interior fire stop hole and securely attach it to the standoff.



- 12) Hang the damper plate into the slot of the exterior Blower Assembly and check that it freely opens and closes. See diagram 2.

- 13) Attach vent hood in place and apply silicone sealant along the joint, corners, and all edges. See diagram 3.

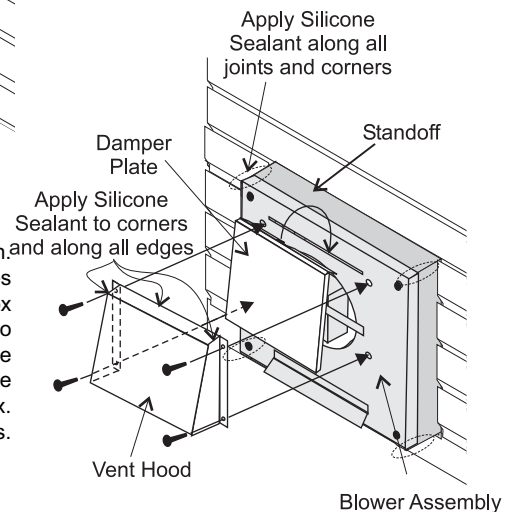


Diagram 3

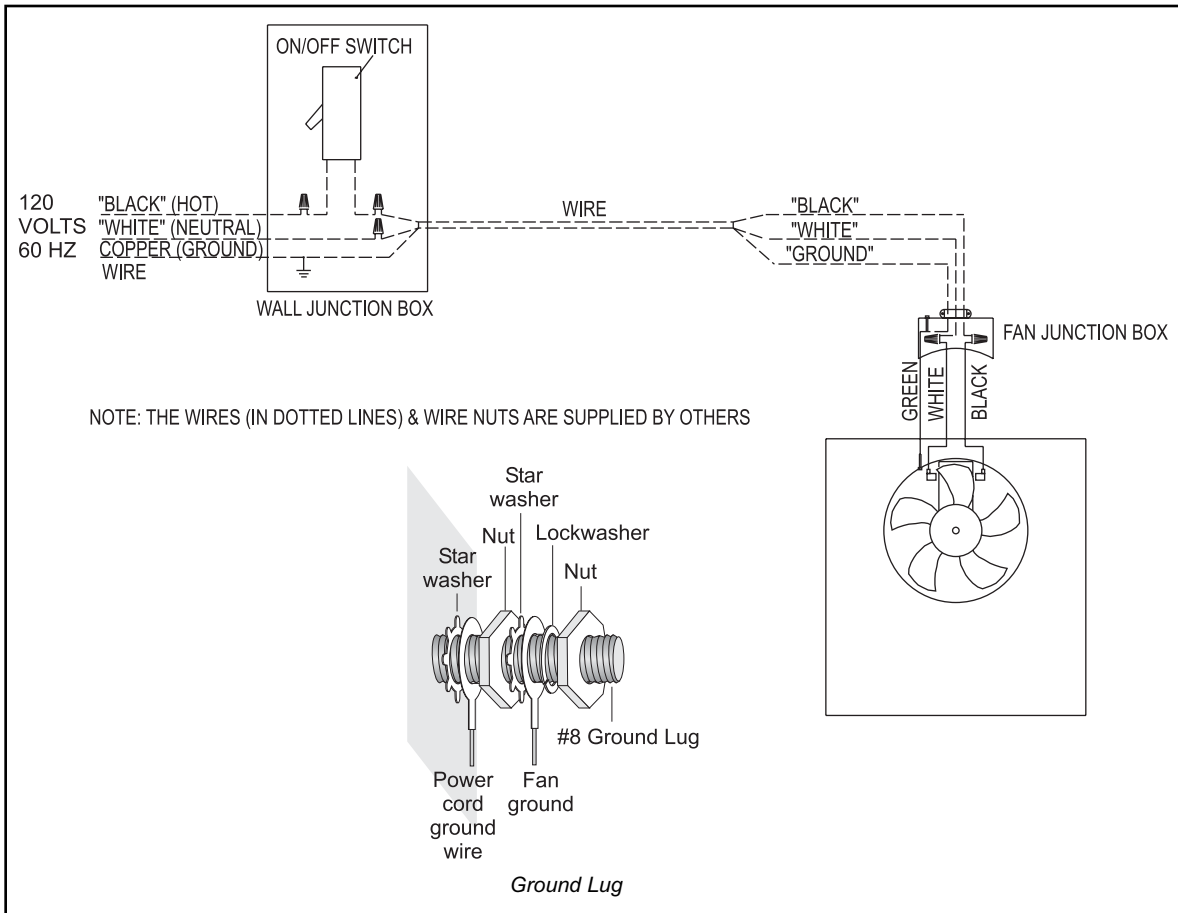
- 14) Attach flex duct to the fireplace, with 3 screws and duct tape.

Make sure the insulation is wrapped around the duct and close to the unit.

- 15) Carefully slide the fireplace into position.

- 16) Complete the fireplace installation as per the fireplace installation manual.

WIRING DIAGRAM



Caution: Ensure that the wires do not touch any hot surfaces and are away from sharp edges.

Do not cut the ground terminal off under any circumstances.

IMPORTANT: If the internal blower is installed, it cannot be operated if the Heat Release fan is operating.

CAUTION: Label all wires prior to disconnection when servicing controls. Wiring errors can cause improper and dangerous operation.

OPERATION

- 1) For maximum heat release, turn OFF the fireplace accessory fan.
- 2) Turn the Heat Release fan "ON" from the wall switch.

MAINTENANCE

- 1) Service and maintain the fireplace as per the fireplace installation manual.
- 2) Keep the Heat Release hood clean and free of any blockage, including snow.

