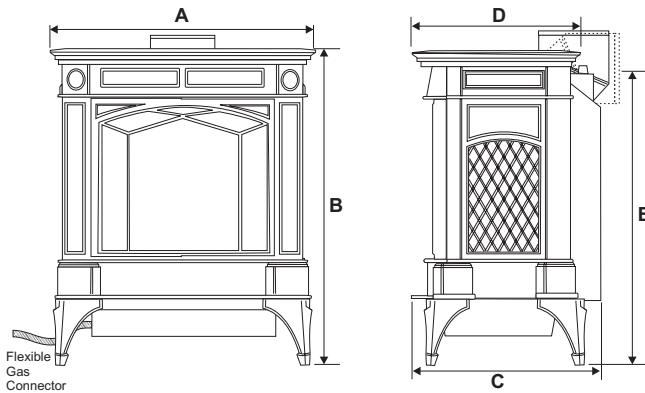


H15 Freestanding Direct Vent Gas Stove

Model	H15-NG1	H15-LP1
Fuel Type	Natural Gas	Propane
Minimum Supply Pressure	5.0" W.C. (1.25 kPa)	12.0" W.C. (3.00 kPa)
Manifold Pressure - High	3.82" W.C. (0.95 kPa)	11" W.C. (2.74 kPa)
Manifold Pressure - Low	1.1" W.C. (0.27 kPa)	2.9" W.C. (0.72 kPa)
Orifice Size - Altitude 0-2000 ft.	#47 DMS	#55 DMS
Orifice Size - Altitude 2000-4500 ft.		#56 DMS
Minimum Input Altitude 0-2000 ft. (0-610m)	10,500 BTU/h (3.08 kW)	10,600 BTU/h (3.10 kW)
Minimum Input Altitude 2000-4500 ft. (610-1372m)		8,200 BTU/h (2.40 kW)
Maximum Input Altitude 0-2000 ft. (0-610m)	18,000 BTU/h (5.28 kW)	18,000 BTU/h (5.28 kW)
Maximum Input Altitude 2000-4500 ft. (610-1372m)		15,500 BTU/h (4.54 kW)
Vent Sizing	4" Inner / 6-5/8" Outer	4" Inner / 6-5/8" Outer

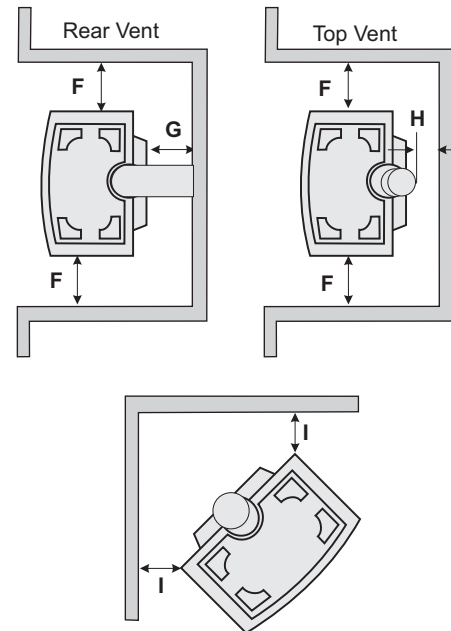


Approved Venting Systems	
Flex Vent Systems:	FPI AstroCap™ Flex Vent
Rigid Pipe Vent Systems:	Simpson Dura-Vent® Direct Vent GS American Metal Products Ameri Vent Security Secure Vent® Selkirk Direct-Temp.



Dimension	Description	H15
A	Unit Width	20-11/16" (525mm)
B	Unit Height	22-1/2" (572mm)
C	Unit Depth	16-3/16" (411mm)
D	Front to Vent centerline (top vent)	14-1/4" (361mm)
E	Floor to Vent centerline (rear vent)	21-1/4" (540mm)

Gas connection is made to a flexible gas connector



Alcove Clearances		
Dimension	Description	H15
F	Side Wall to Unit	6" (150mm)
G	Back Wall to Unit	0" (0mm)
H	Back wall to vertical Vent	2" (51mm)
Corner Clearances		
Dimension	Description	H15
I	Wall to Unit Corner	2" (51mm)

Minimum ceiling height is 24" (610mm) from top of unit.
Minimum clearance to horizontal vent is 1-1/4" (32mm).
Minimum clearance to vertical vent is 2" (51mm).

The above listed clearances are minimum distances to combustible materials. This unit may be installed directly on carpeting or vinyl.

Gas Stoves

H15 Gas Stove

Hampton Direct Vent System Minimum Horizontal Installation

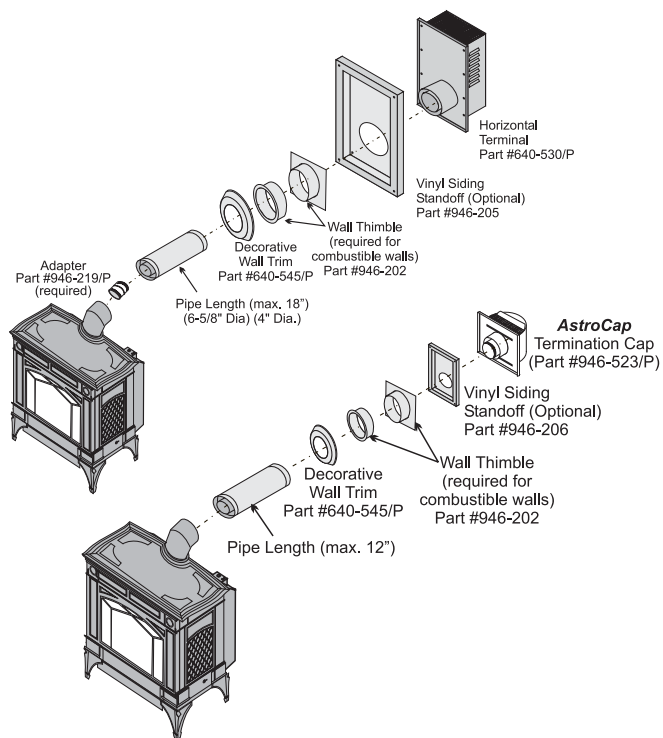
These venting systems, in combination with the H15 Direct Vent Gas Fireplace, have been tested and listed as a direct vent heater system by Warnock Hersey. The location of the termination cap must conform to the requirements in the Vent Terminal Locations diagram.

FPI Direct Vent (Flex) System Termination Kits include all the parts needed to install the H15 using a minimum horizontal vent run.

FPI Kit #	Length	Contains:
#640-944	1.5 Feet	<ol style="list-style-type: none"> 1) 6-5/8" Rigid Pipe Section (Kit length) 2) 4" aluminum vent (Kit length) 3) thimble cover (1) 4) thimble (1) 5) adapter 6) Termination cap (1) 7) trim collar (2) 8) tube of Mill Pac (1)
Uses: Riser Vent Termination. Part #640-530/P		<ol style="list-style-type: none"> 9) S.S. screws #8 x 1-1/2", self-tap, (12) 10) Blk. screws #8 x 1-1/2", self-tap, (14) 11) Blk. screws #8 x 1-1/2" drill point, (4) 12) S.S. screws #8 x 1-1/2" drill point, (4) 13) Wood screws #8 x 1" (8) 14) vinyl siding standoff (optional)
#380-946	1 Foot	<ol style="list-style-type: none"> 1) 6-5/8" Rigid Pipe Section (Kit length) 2) 4" flexible liner (Kit length) 3) spring spacers (4) 4) 90° Elbow 5) Adjustable pipe section 13-1/2" to 24" 6) thimble cover (1) 7) thimble (1) 8) adapter 9) AstroCap termination cap (1) 10) trim collar (2) 11) tube of Mill Pac (1) 12) S.S. screws #8 x 1-1/2", self-tap, (12) 13) Blk. screws #8 x 1-1/2", self-tap, (14) 14) Blk. screws #8 x 1-1/2" drill point, (4) 15) S.S. screws #8 x 1-1/2" drill point, (4) 16) Wood screws #8 x 1" (8) 17) vinyl siding standoff (optional #946-206)
Uses: AstroCap Termination. Part #946-523/P		<ol style="list-style-type: none"> 1) 6-5/8" Rigid Pipe Section (Kit length) 2) 4" flexible liner (Kit length) 3) spring spacers (4) 4) 90° Elbow 5) Adjustable pipe section 13-1/2" to 24" 6) thimble cover (1) 7) thimble (1) 8) adapter 9) AstroCap termination cap (1) 10) trim collar (2) 11) tube of Mill Pac (1) 12) S.S. screws #8 x 1-1/2", self-tap, (12) 13) Blk. screws #8 x 1-1/2", self-tap, (14) 14) Blk. screws #8 x 1-1/2" drill point, (4) 15) S.S. screws #8 x 1-1/2" drill point, (4) 16) Wood screws #8 x 1" (8) 17) vinyl siding standoff (optional #946-206)

Notes:

- 1) Liner sections should be continuous without any joints or seams.
- 2) Only Flex pipe purchased from Hampton may be used for Flex installations.
- 3) Horizontal sections must be supported every 3 feet.



If required by the external termination location the listed alternate termination caps may be used. (Refer to Page 11)

Hampton Direct Vent System Horizontal Terminations Only

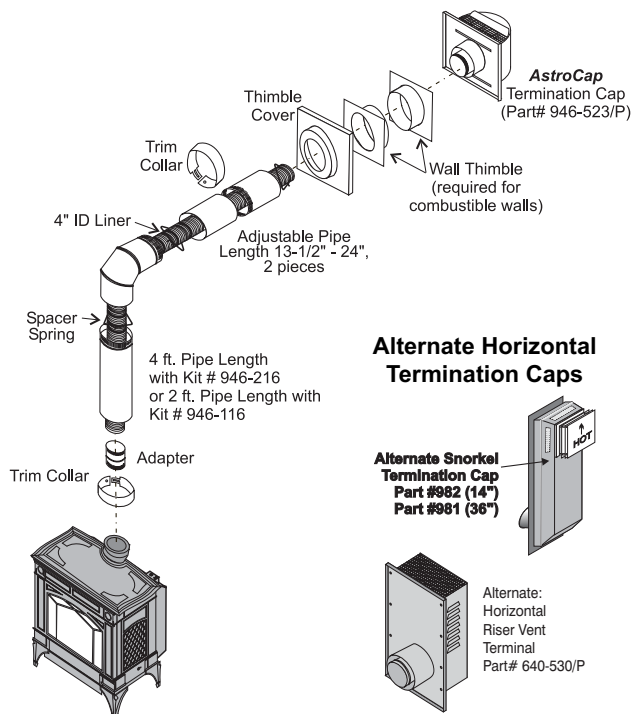
These venting systems, in combination with the H15 Direct Vent Gas Fireplace, have been tested and listed as a direct vent heater system by Warnock Hersey. The location of the termination cap must conform to the requirements in the Vent Terminal Locations diagram.

FPI Direct Vent (Flex) System Termination Kits include all the parts needed to install the H15 using a flexible vent.

FPI Kit #	Length	Contains:
#946-116	2 Feet	<ol style="list-style-type: none"> 1) 6-5/8" Rigid Pipe Section (Kit length) 2) 4" flexible liner (Kit length) 3) spring spacers (4) 4) 90° Elbow 5) Adjustable pipe section 13-1/2" to 24" 6) thimble cover (1) 7) thimble (1) 8) adapter 9) AstroCap termination cap (1) 10) trim collar (2) 11) tube of Mill Pac (1) 12) S.S. screws #8 x 1-1/2", self-tap, (12) 13) Blk. screws #8 x 1-1/2", self-tap, (14) 14) Blk. screws #8 x 1-1/2" drill point, (4) 15) S.S. screws #8 x 1-1/2" drill point, (4) 16) Wood screws #8 x 1" (8) 17) vinyl siding standoff (optional #946-206)
#946-216	4 Feet	<ol style="list-style-type: none"> 1) 6-5/8" Rigid Pipe Section (Kit length) 2) 4" flexible liner (Kit length) 3) spring spacers (4) 4) 90° Elbow 5) Adjustable pipe section 13-1/2" to 24" 6) thimble cover (1) 7) thimble (1) 8) adapter 9) AstroCap termination cap (1) 10) trim collar (2) 11) tube of Mill Pac (1) 12) S.S. screws #8 x 1-1/2", self-tap, (12) 13) Blk. screws #8 x 1-1/2", self-tap, (14) 14) Blk. screws #8 x 1-1/2" drill point, (4) 15) S.S. screws #8 x 1-1/2" drill point, (4) 16) Wood screws #8 x 1" (8) 17) vinyl siding standoff (optional #946-206)

Notes:

- 1) Liner sections should be continuous without any joints or seams.
- 2) Only Flex pipe purchased from Hampton may be used for Flex installations.
- 3) Horizontal sections must be supported every 3 feet.

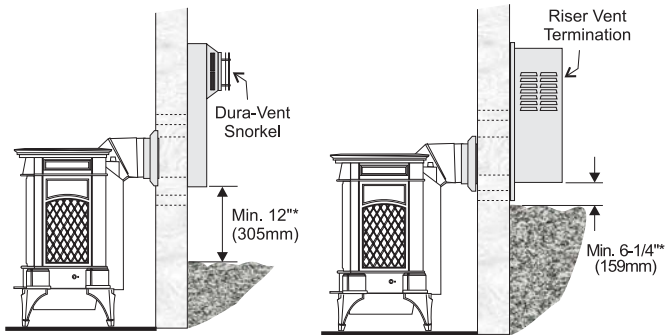


If required by the external termination location the listed alternate termination caps may be used. (Refer to Page 11)

Snorkel Terminations

Snorkel Terminations:

For installations requiring a vertical rise on the exterior of the building, 14-inch and 36-inch tall Snorkel Terminations and the Riser Vent are available. Follow the same installation procedures as used for standard Horizontal Termination. NEVER install the snorkel upside down.



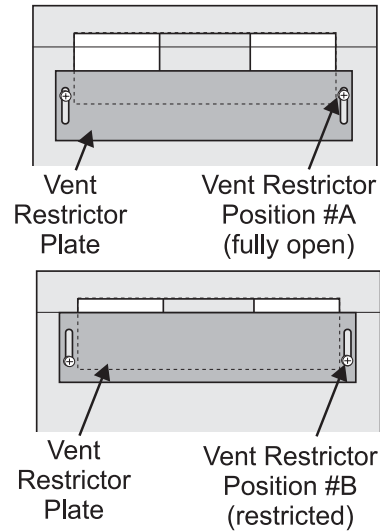
Below Grade Snorkel Installation

If the Snorkel Termination must be installed below grade, i.e. basement application, proper drainage must be provided to prevent water from entering the Snorkel Termination. Refer to Rigid Pipe Installation instructions for details. Do not attempt to enclose the Snorkel within the wall, or any other type of enclosure.

Vent Restrictor Position

Vent restriction is required for certain venting installations, see the diagrams in "Venting Arrangement" section to determine if they are required for your installation.

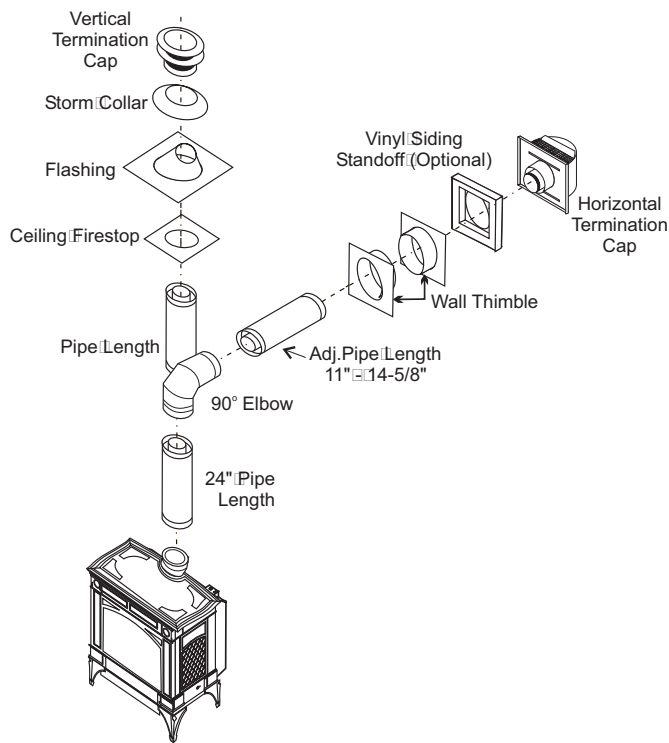
The vent restrictor has two settings: "A" Fully Open (factory setting), "B" Restricted. Simply loosen the screws and push the vent restrictor plate to the correct position. Tighten the screws.



H15 Gas Stove

Rigid Pipe Venting Systems

Horizontal or Vertical Terminations



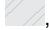
If required by the external termination location the listed alternate termination caps may be used. (Refer to Page 11)


Venting Arrangements - Vertical Terminations

Rigid Pipe System

(Propane & Natural Gas)

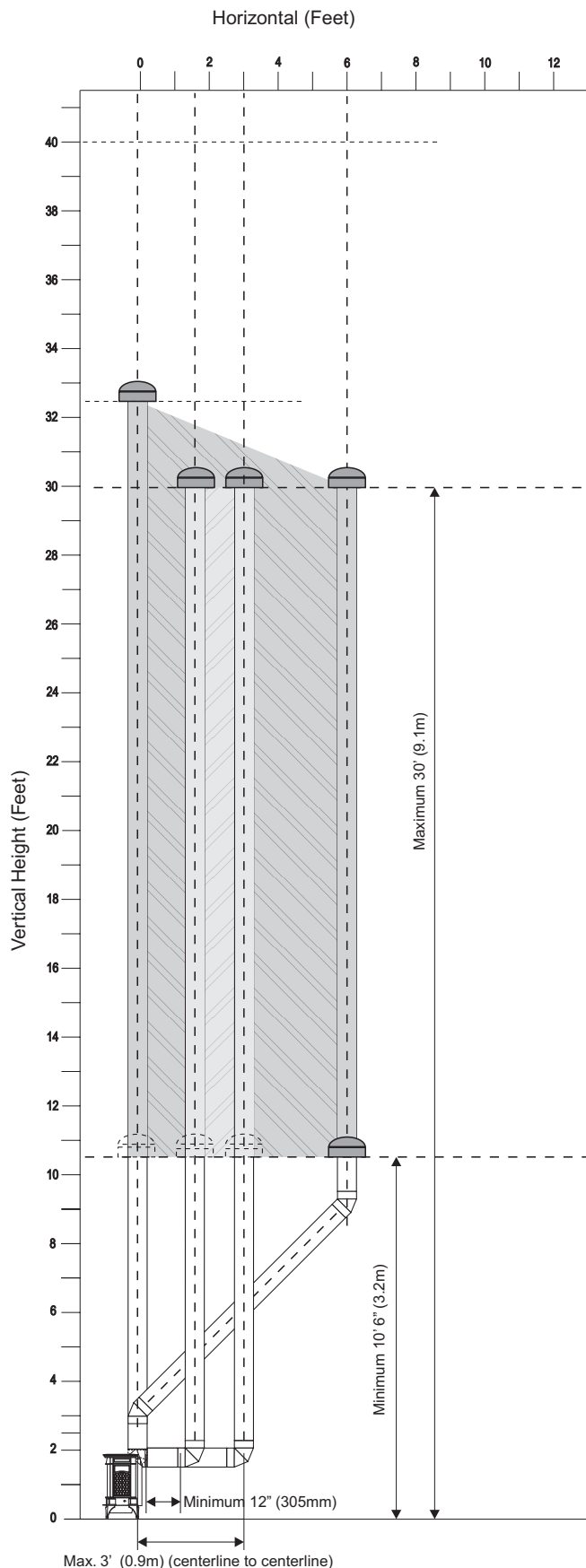
The H15 is approved for a maximum 30 ft. straight vertical, with **Rigid Pipe** vent systems for Propane and Natural Gas.

The lightly shaded area, , in the diagram shows allowable venting configurations using one 90° elbow and venting out the rear.

The darker shaded area, , in the diagram shows allowable venting configurations using up to two 45° elbows and venting out the top.

Terminations falling in either of the shaded areas must have the Vent Restrictor Position set to "B" (restricted). (refer to Page 47)

- Vent must be supported at offsets.
- Horizontal sections must be supported every 3 feet
- Firestops are required at each floor level and whenever passing through a wall.
- Maintain clearances to combustibles.
- Minimum of 1' pipe section between any elbows.

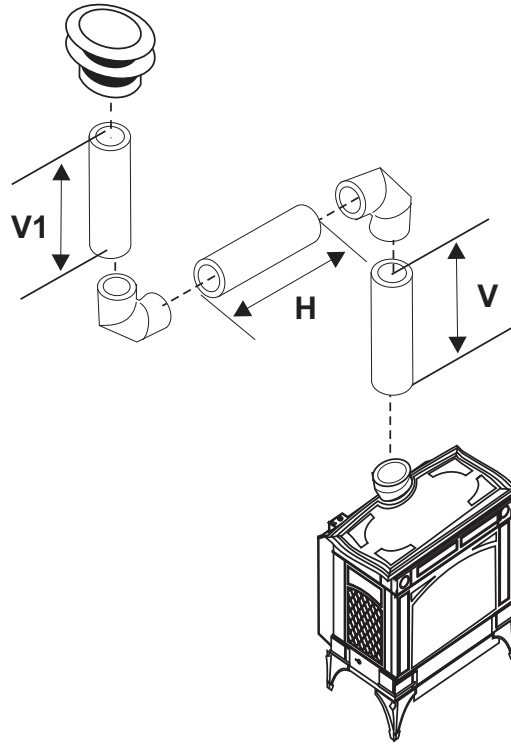


Vertical Venting with Two (2) 90° Elbows - Initial vertical section.

Two 45° elbows = One 90° elbow

Option	V	H	V+ V1	Maximum total pipe length, of all sections, must not exceed 30 feet. Total horizontal sections must not exceed 8 feet. Minimum of 1 foot between 90° elbows is required.
A)	1' Min.	4' Max.	2' Min.	
B)	2' Min.	5' Max.	3' Min.	
C)	3' Min.	6' Max.	4' Min.	
D)	4' Min.	7' Max.	5' Min.	
E)	5' Min.	8' Max.	6' Min.	

Vent Restrictor in position "A" (fully open), refer to page 47.

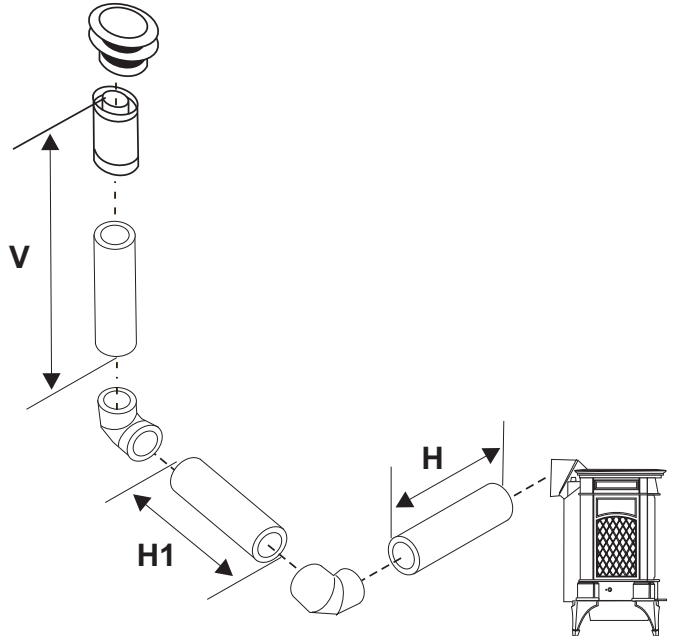


Vertical Venting with Two (2) 90° Elbows - Initial horizontal section.

Two 45° elbows = One 90° elbow

Option	H + H1	V	Maximum total pipe length, of all sections, must not exceed 30 feet. Total horizontal sections must not exceed 8 feet. Minimum of 1 foot between 90° elbows is required.
A)	2' Min.	2' Min.	
B)	3' Min.	3' Min.	
C)	4' Min.	4' Min.	
D)	5' Min.	5' Min.	
E)	6' Min.	6' Min.	


Vent Restrictor in position "A" (fully open), refer to page 47.




H15 Gas Stove

Venting Arrangements - Horizontal Terminations

This diagram shows all allowable combinations of vent runs with horizontal terminations, using one 90° elbow (two 45° elbows equal one 90° elbow).

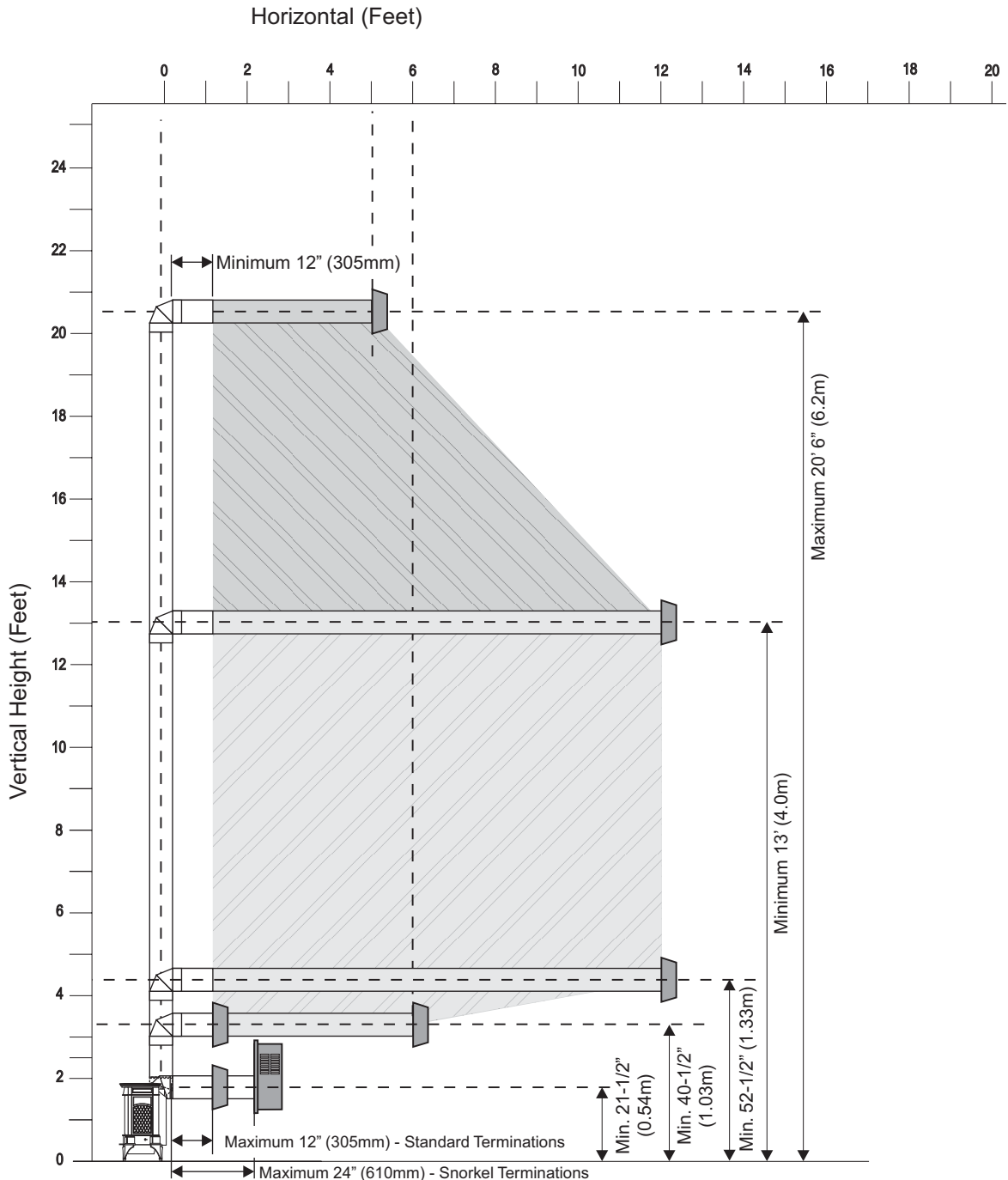
The lightly shaded area, , in the diagram shows allowable combinations with Vent Restrictor in position "A" (fully open), refer to page 47.

The darker shaded area, , in the diagram shows allowable combinations with Vent Restrictor in position "B" (restricted), refer to page 47.

- Maintain clearances to combustibles.
- Horizontal vent must be supported every 3 feet.
- Firestops are required at each floor level and whenever passing through a wall.

A vent guard may be required as per local codes, refer to page 11 for "Exterior Vent Termination Locations".

Note: FPI Direct Vent System (Flex) is only approved for horizontal terminations.

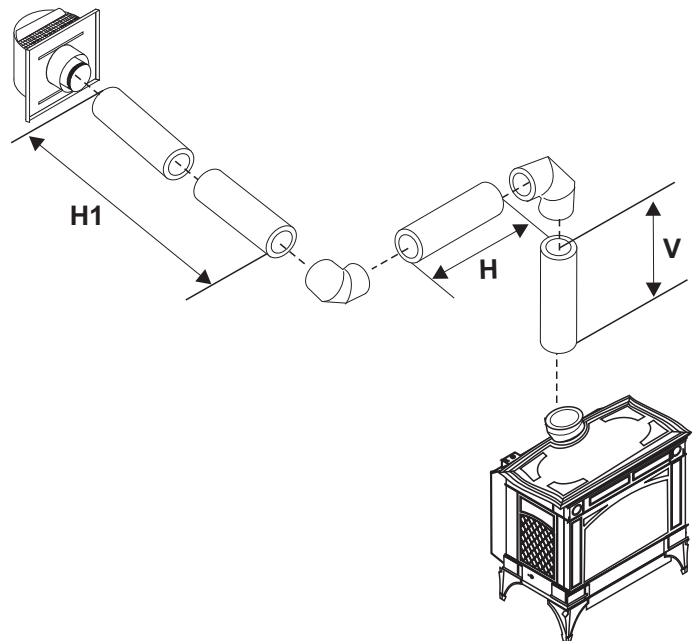


Horizontal Venting with Two (2) 90° Elbows - Initial vertical section.

Two 45° elbows = One 90° elbow

Option	V	H+ H1	Maximum total pipe length, of all sections, must not exceed 30 feet. Total horizontal sections must not exceed 8 feet. Minimum of 1 foot between 90° elbows is required.
A)	1' Min.	3' Max.	
B)	2' Min.	4' Max.	
C)	3' Min.	5' Max.	
D)	4' Min.	6' Max.	
F)	6' Min.	8' Max.	

Vent Restrictor in position "A" (fully open), refer to page 47.

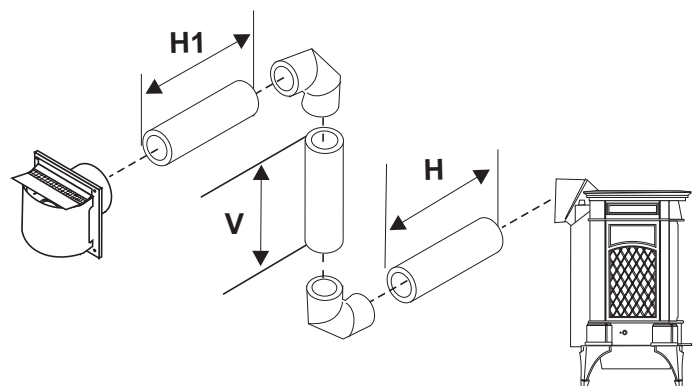


Horizontal Venting with Two (2) 90° Elbows - Initial horizontal section.

Two 45° elbows = One 90° elbow

Option	H	V	H + H1	Maximum total pipe length, of all sections, must not exceed 30 feet. Total horizontal sections must not exceed 8 feet. Minimum of 1 foot between 90° elbows is required.
A)	1' Min.	1' Min.	3' Min.	
B)	2' Min.	2' Min.	5' Min.	
C)	3' Min.	4' Min.	6' Min.	
E)	5' Min.	8' Min.	8' Min.	

Vent Restrictor in position "A" (fully open), refer to page 47.

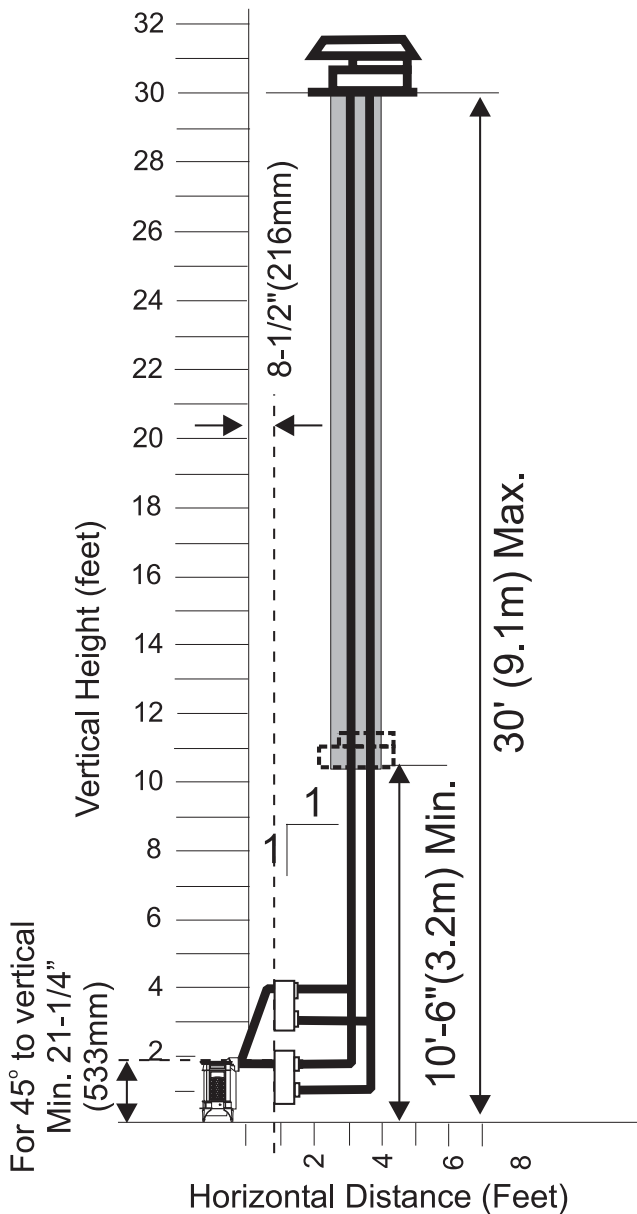


H15 Gas Stove

Vertical Terminations using Rigid Pipe Systems

The shaded area in the diagram below shows the allowable combinations of vertical terminations using the co-linear flex system. All vertical installations require Vent Restrictor to be set to "B" (fully closed), see page 47.

Vertical Terminations with Co-Linear Flex System



Vertical termination with co-linear flex system

The appliance must not be connected to a chimney flue serving a separate solid fuel burning appliance.

Masonry chimneys may take various contours which the flexible liner will accommodate. However, **keep the flexible liner as straight as possible**, avoid unnecessary bending.

The Air Intake pipe must be attached to the inlet air collar of the termination cap.

This appliance is designed to be attached to two 3" (76mm) co-linear aluminium flex running the full length of the chimney. Refer to the chart on the right, in section Vertical Terminations with Co-linear Flex System, for minimum and maximum vent heights.

Required Parts:	
Part #	Description:
#946-529	Co-linear DV Vertical Termination Cap
#948-305	3" Flex - 35 ft.
#946-563	Coaxial to Co-linear Adapter Kit which contains the following: Co-linear Flex Adapter (270-585) Outer Pipe (946-257) Inner Pipe Adapter (946-219)
Alternate Approved Caps:	
Part #	Description:
#980	Vertical Termination Cap
#991	High Wind Cap
#923GK	3" Co-linear Adapter with flashing

