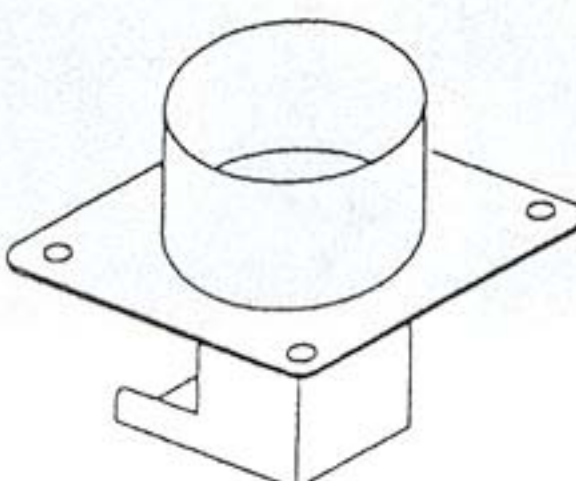
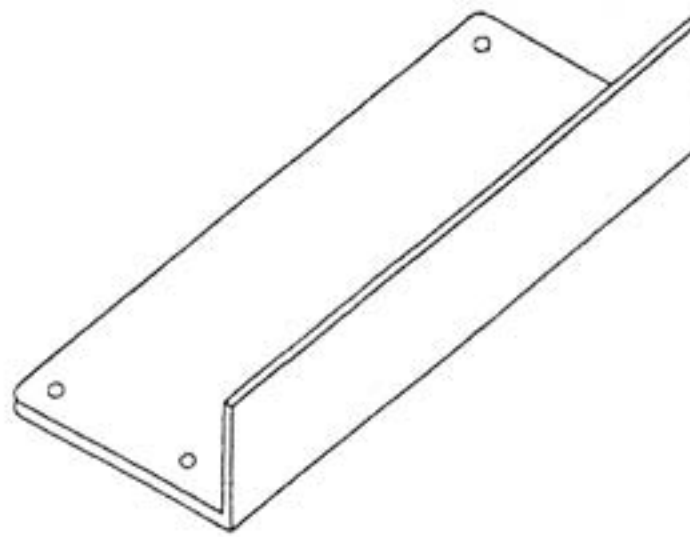
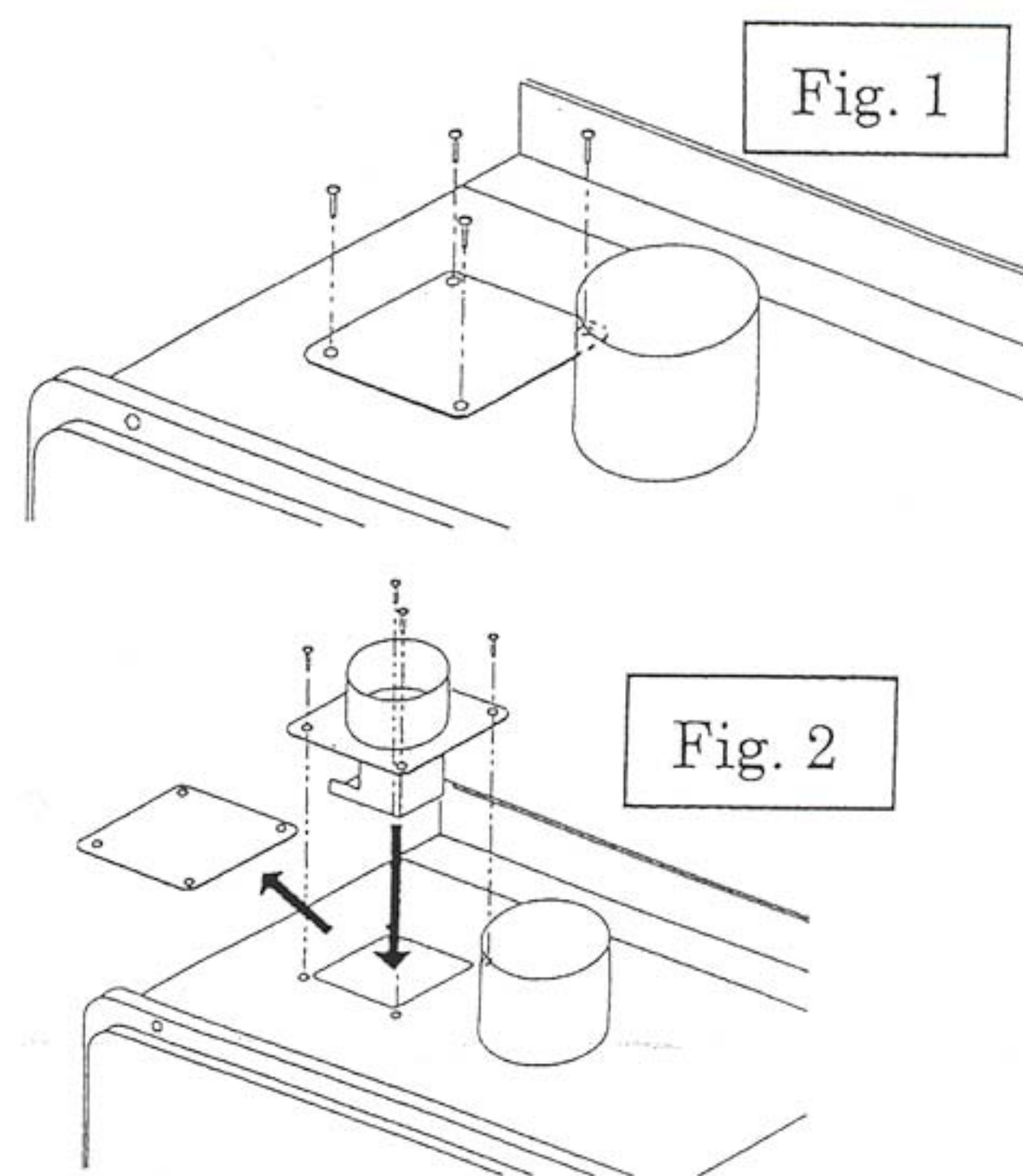


INSTALLATION MANUAL

The installation method

Accessories	
3" INTAKE AIR PORT	LOUVER CLOSING PLATE
	
1 PCS	1 PCS

1. Turn off the power supply to the unit.
2. Remove the 4 screws on the top of the water heater. (Fig.1)
3. Remove the closing plate and attach the 3" intake air port on the top of the heater with 4 screws. (Fig.2)
4. Relocate the thermostat with "Extension cable" included in T-KJr accessories for freeze protection. (Fig.3) The thermostat wires should not touch the copper heat exchanger.
5. Remove the 4 screws on the front cover.
6. Attach the louver closing plate on the front cover with the 4 screws. (Fig.4)
7. Turn on the power supply.



You do not need to change the dip switch setting.

WARNING; when installing the vent system, all applicable national and local codes must be followed.

The entire vent system must not exceed the size specified in table below.

Diame ter	Max. No. of Elbow	Max. Vertical or Horizontal run in Length
4" & 3"	3 Ea.	35 ft

* Each elbow minus 5 feet from maximum length.

