



# Submittal Data Information

101-090

## Electronic Ball Valve (EBV) Zone Valve

Effective: March 3, 2008

Supersedes: July 15, 2006

Job: \_\_\_\_\_ Engineer: \_\_\_\_\_ Contractor: \_\_\_\_\_ Rep: \_\_\_\_\_

ITEM NO.	MODEL NO.	

### Product Specifications

- Maximum Operating Pressure..... 300 PSI (2,100 kPa)
- Maximum Shutoff Pressure..... 125 PSI (875 kPa)
- Fluid Temperature Range ..... 20° to 240°F, (-7° to 115°C) @ 135°F (57°C) ambient [Installation must be in a non-condensing application]
- Service ..... Version available for both open and closed systems (Hot and Chilled Water, up to 50% Glycol)
- Ball Rotation Speed..... Full Open to Full Close (90° turn), 4 seconds  
Full Close to Full Open (90° turn), 6 seconds
- Seat Leakage..... Drop-Tight Close-Off
- Electrical Rating..... 24 VAC, 60 HZ, 0.54 Amps  
Do not exceed number of valves per transformer rating.  
Example: Do not use more than 12 zone valves per 40VA transformer
- Power Consumption, Charging..... 12.84 Watts, 0.54 Amps Max
- Power Consumption, Power On..... 1.44 Watts, 0.06 Amps Max
- Heat Anticipator Setting..... 0.5 Amps
- End Switch Rating..... 1 Amp @ 24 VAC

### Materials of Construction, Actuator

- Body ..... High Performance Engineered Polymer
- Gears ..... High Performance Internally Lubricated Engineered Polymer

### Materials of Construction, Valve

- Body ..... Forged Bronze
- Stem ..... Brass
- Press Ring..... Brass
- Ball ..... Brass (Chrome Plated)
- Seat ..... Modified Teflon
- O-rings..... EPDM

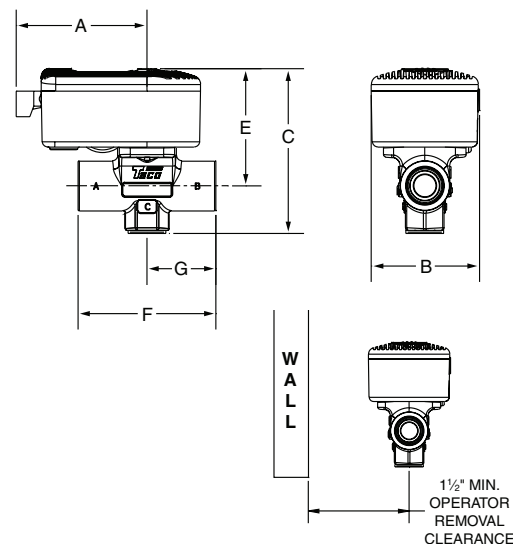
### Flow Coefficients and Maximum Close-Off Pressure

VALVE SIZE	Cv (Kv)/Ft. of PIPE EQUIV.*	CLOSE-OFF PSI (kPa)
1/2"	4.9 (4.3) / 9.5	0-125 psi (0-862 kPa)
3/4"	10.3 (8.9) / 8.4	0-125 psi (0-862 kPa)
1"	8.9 (7.7) / 47.4	0-125 psi (0-862 kPa)

\* At 4' per second (max. recommended residential flow rate).

### Dimensions

VALVE SIZE	A	B	C	E	F	G	Approx. Wt. (valve + actuator)
1/2"	3"	2-3/8"	3-9/16"	2-9/16"	3-1/8"	1-9/16"	1.15 lbs
3/4"	3"	2-3/8"	3-3/4"	2-5/8"	3-1/8"	1-9/16"	1.20 lbs
1"	3"	2-3/8"	3-11/16"	2-5/8"	3-1/8"	1-9/16"	1.55 lbs



**Do it Once. Do it Right.®**

TACO INC., 1160 Cranston Street, Cranston, RI 02920 Telephone: (401) 942-8000 Fax: 942-2360

TACO (Canada), Ltd., 6180 Ordan Drive, Mississauga, Ontario L5T 2B3 Telephone: (905) 564-9422 Fax: (905) 564-9436

Visit our website at: [www.taco-hvac.com](http://www.taco-hvac.com)

Printed in USA  
Copyright 2007  
TACO, Inc.