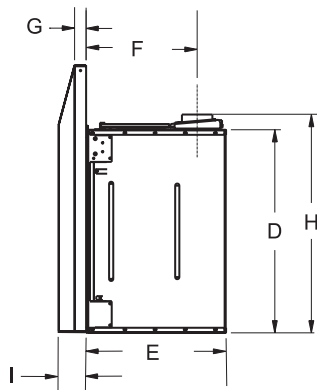
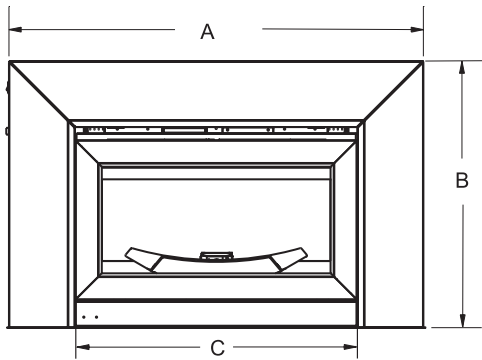


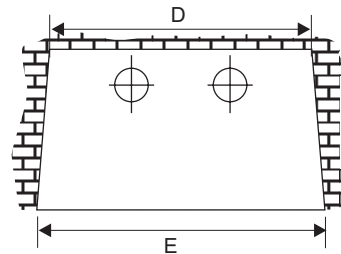
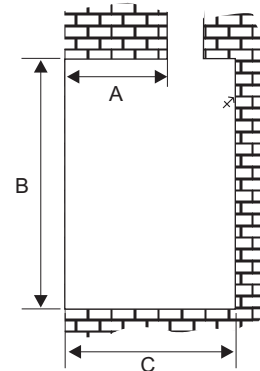
Model	U32S-NG	U32S-LP
Fuel Type	Natural Gas	Propane
Minimum Supply Pressure	5" W.C. (1.25 kPa)	12" W.C. (2.99 kPa)
Manifold Pressure - High	3.5" W.C. (0.87 kPa)	10" W.C. (2.48 kPa)
Manifold Pressure - Low	1.6" W.C. (0.41 kPa)	6.4" W.C. (1.59 kPa)
Orifice Size -Altitude 0-4500 ft.	#42 DMS	#54 DMS
Minimum Input Altitude 0-4500 ft. (0-1372m)	16,500 BTU/h (4.84 kW)	17,000 BTU/h (4.98 kW)
Maximum Input Altitude 0-4500 ft. (0-1372m)	24,500 BTU/h (7.18 kW)	20,500 BTU/h (6.01 kW)
Vent Sizing	3" Co-linear	3" Co-linear

Approved Venting Systems	
Flex Vent Systems:	FPI AstroCap™ Flex Vent



Minimum Fireplace Dimensions

The minimum fireplace clearances & dimensions for the FPI gas insert are shown in the following diagrams:



Dimension	Description	U32S
A	Faceplate Width	40-13/16" (1037mm)
B	Faceplate Height	26-1/4" (667mm)
C	Unit Width	27-7/8" (708mm)
D	Unit Height	20" (508mm)
E	Unit Depth	13-13/16" (351mm)
F	Faceplate to Vent Centerline	10-15/16" (278mm)
G	Faceplate Depth	1-1/8" (28mm)
H	Height to Vent Collar	21-1/2" (546mm)
I	Faceplate Depth	2-11/16" (68mm)

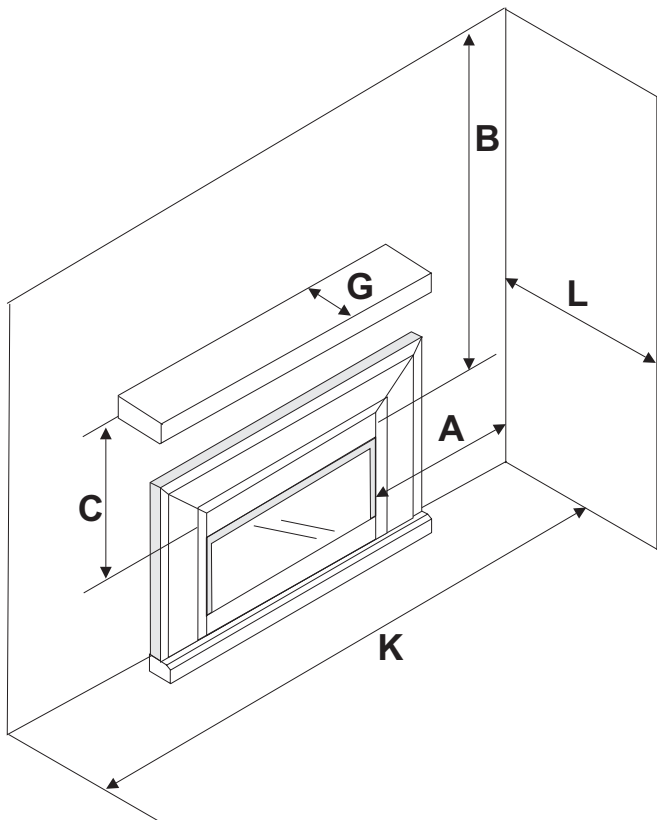
Max. Lentil Bar Depth A	Height B	Depth C	Width (rear) D	Width (front) E
9"	22"	14"	22-1/2"	26-1/2"

U32S Sunrise Gas Insert

Clearances

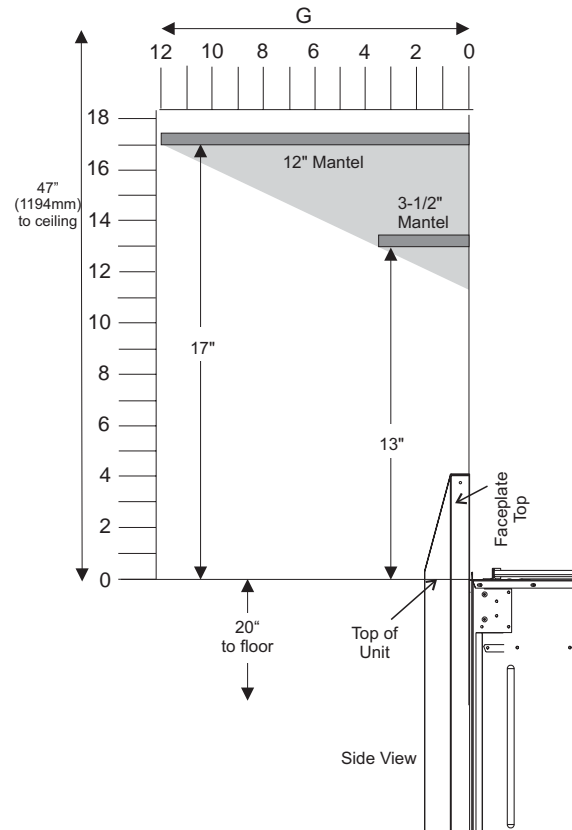
Unless otherwise stated the clearances listed below are Minimum distances to combustible materials. **Please Note: A major cause of chimney related fires is due to a failure to maintain required clearances (air space) to combustible materials. It is of the greatest importance that this fireplace and vent system be installed only in accordance with these instructions.**

Clearances to Combustibles		
Dimension	Description	U32S
A	From Unit to Side Walls	10" (255mm)
B	From Unit to Ceiling	47.5" (1205mm)
C	Minimum Mantel Height	13" (330mm)
G	Maximum Mantel Depth	12" (305mm)
K	Alcove Width	48" (1220mm)
L	Alcove Depth	36" (914mm)



Combustible Mantels

Because of the extreme heat this fireplace emits, the mantel clearances are critical. Mantel may be installed anywhere in the shaded area or higher.



Note: A non-combustible mantel may be installed at a lower height if the framing is made of metal studs covered with a non-combustible board.

Note: Ensure the paint that is used on the mantel and the facing is "heat resistant" or the paint may discolour.