



# CONVERTIBLE PJC

The PJC injection centrifugal pump with convertible ejector is built for either shallow well or deep well applications. It is ideal for a summer cottage or a country house.

The diffuser (Polycarbonate) and the impeller (Noryl) precisely molded, assure optimum efficiency. The self-lubricated mechanical seal is made of carbon and ceramic for a longer life span.

The pump housing and the seal plate are made of grey close-grained cast iron. These parts are specially treated with adapted paint to give a much better resistance to corrosion.



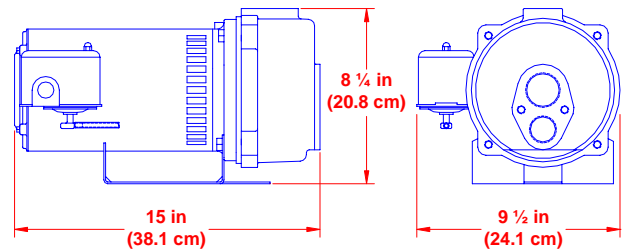
**Shallow well  
ejector included  
+ deep well  
venturi**



### CHARACTERISTICS

- Single-phase motor, **square flange**, 3450 RPM, 115/230 Volts, automatic thermal protection and "NUTRIDE" shaft
- Rubber seal gasket
- Pressure switch set at 30 to 50 lbs/in<sup>2</sup>
- 0 - 100 PSI pressure gauge
- Shallow well ejector included
- Deep well venturi included
- Convertible ejector for deep well application

**All pumps are tested at our factory**



Part number	Model	Motor H.P. (kW)	Suction inch (mm)	Discharge inch (mm)	Shipping weight lbs (kg)
325-0050	PJC-50	1/2 (.37)	<b>1 1/4" (31.8)</b>	<b>1" (25.4)</b>	42 (19)
325-0075	PJC-75	3/4 (.55)			42 (19)
325-0100	PJC-100	1.0 (.75)			44 (20)

### **SHALLOW WELL EJECTOR KITS**

(included: ejector body, venturi tube, nozzle, ejector gasket, bolts and washers)

Part number	Model	H.P.	Diameter	
			Venturi	Nozzle
325-0250	PJC-7-50S	1/2	29/64	16/64
325-0275	PJC-7-75S	3/4	32/64	16/64
325-0300	PJC-7-100S	1	34/64	16/64



### PERFORMANCE CHART - SHALLOW WELL APPLICATION

MODEL	MOTOR H.P. (kW)	VENTURI & NOZZLE	DISCH. PRESSURE P.S.I. (kPa)	DEPTH OF WATER IN FEET (METERS)					Shut-off PSI (kPa)
				5 (1.52)	10 (3.05)	15 (4.57)	20 (6.10)	25 (7.62)	
				CAPACITY - U.S. GALLONS/HOUR (LITERS/HOUR)					
PJC-50	1/2 (.37)	296	20 (1.41)	910 (3445)	810 (3066)	690 (2612)	565 (2139)	410 (1552)	62 (427)
			30 (2.11)	900 (3407)	800 (3028)	685 (2593)	560 (2120)	405 (1533)	
			40 (2.81)	710 (2688)	625 (2366)	605 (2290)	500 (1892)	345 (1306)	
			50 (3.52)	460 (1741)	400 (1514)	330 (1249)	210 (795)	115 (435)	
PJC-75	3/4 (.55)	326	20 (1.41)	1050 (3975)	945 (3577)	830 (3142)	690 (2612)	520 (1968)	61 (420)
			30 (2.11)	1040 (3937)	935 (3539)	825 (3123)	685 (2593)	515 (1949)	
			40 (2.81)	830 (3142)	790 (2990)	740 (2801)	620 (2347)	465 (1760)	
			50 (3.52)	520 (1968)	480 (1817)	400 (1514)	360 (1363)	180 (681)	
PJC-100	1 (.75)	346	20 (1.41)	1150 (4353)	1035 (3918)	900 (3407)	750 (2839)	560 (2120)	67 (462)
			30 (2.11)	1140 (4315)	1025 (3880)	895 (3388)	740 (2801)	555 (2101)	
			40 (2.81)	1130 (4278)	1020 (3861)	890 (3369)	735 (2782)	550 (2082)	
			50 (3.52)	815 (3085)	735 (2782)	610 (2309)	475 (1798)	245 (927)	
			60 (4.22)	410 (1552)	370 (1401)	310 (1173)	240 (908)	120 (454)	

### PERFORMANCE CHART - DEEP WELL APPLICATION

MODEL	MOTOR H.P. (kW)	VENTURI & NOZZLE	DISCH. PRESSURE P.S.I. (kPa)	DEPTH OF WATER IN FEET (METERS)								
				30 (9.14)	40 (12.2)	50 (15.2)	60 (18.3)	70 (21.3)	80 (24.4)	90 (27.4)	100 (30.5)	
				CAPACITY - U.S. GALLONS/HOUR (LITERS/HOUR)								
PJC-50	1/2 (.37)	245	20 / 40	580 (2192)	510 (1928)	450 (1701)						
		235	20 / 40		380 (1436)	320 (1210)	270 (1021)	220 (832)				
PJC-75	3/4 (.55)	234	20 / 40	640 (2419)	580 (2192)	510 (1928)	450 (1701)					
		226	20 / 40		430 (1625)	360 (1360)	320 (1210)	290 (1096)	260 (983)			
PJC-100	1 (.75)	234	20 / 40	760 (2873)	710 (2684)	630 (2381)	510 (1928)	390 (1474)				
		226	20 / 40		470 (1777)	440 (1663)	420 (1588)	380 (1436)	260 (983)	220 (832)	150 (567)	

### DEEP WELL EJECTOR KITS

(included: ejector body, venturi tube and nozzle)



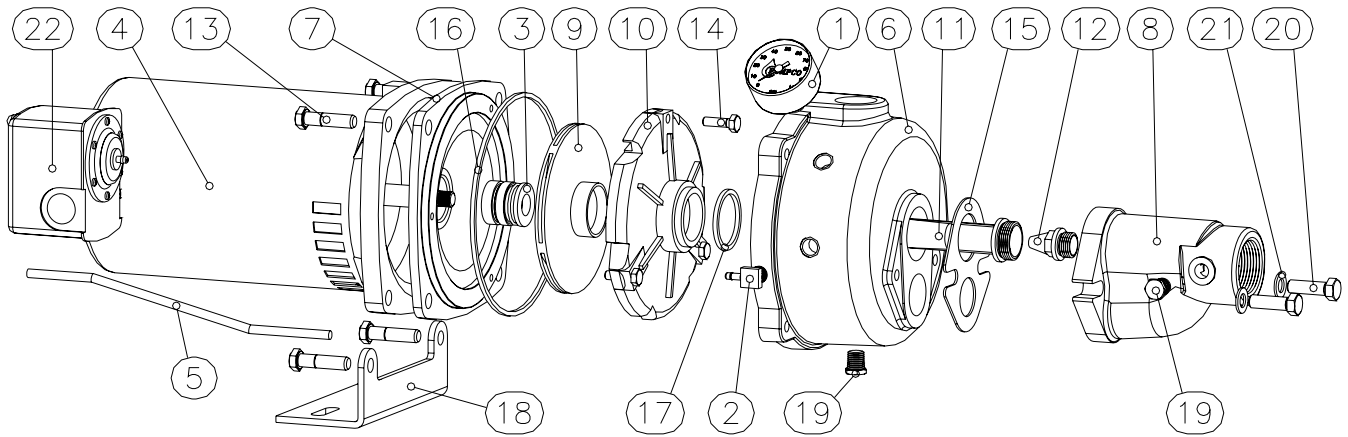
Part number	Model	Diameter	
		Venturi	Nozzle
513-0200	AJ37 FP 235	23/64	15/64
513-0210	AJ37 FP 226	22/64	16/64
513-0230	AJ37 FP 245	24/64	15/64
513-0250	AJ37 FP 234	23/64	14/64

### 2" SINGLE PIPE JET PACKAGE

Part number	Model	Diameter		Setting range
		Venturi	Nozzle	
513-0310	SP235	23/64	15/64	30-70'
513-0320	SP226	22/64	16/64	40-80'
513-0330	SP225	22/64	15/64	50-100'

### 2" CASING ADAPTER

Part number	Model
513-0300	2" casing adapter



#	Part number	Description	MODELS		
			PJC-50	PJC-75	PJC-100
1	023-0130	PG-1002-4B Pressure gauge	1	1	1
2	023-0570	Brass elbow VT229-4-4	1	1	1
3	124-0120	2000 model mechanical seal	1	1	1
4	151-2230	1/2 H.P. motor square flange (SF1.6)	1		
4	151-2240	3/4 H.P. motor square flange (SF1.0)		1	
4	151-2260	1.0 H.P. motor square flange (SF1.0)			1
5	242-0500	(13") MV-4040-1 polyethylene tubing	1	1	1
6	310-0010	PJC Pump body	1	1	1
7	310-0020	Mechanical seal plate	1	1	1
8	310-0030	Ejector body Shallow / deep well	1	1	1
9	310-0040	1/2 H.P. impeller	1		
9	310-0045	3/4 H.P. impeller		1	
9	310-0050	1 H.P. impeller			1
10	310-0060	Diffuser	1	1	1
11	310-0070	29/64" Short venturi tube	1		
11	310-0080	32/64" Short venturi tube		1	
11	310-0085	34/64" Short venturi tube			1
11	310-0090	22/64" Short venturi tube		1	1
11	310-0092	23/64" Short venturi tube	1		
11	310-0094	24/64" Short venturi tube	1		
12	310-0110	14/64" Nozzle		1	1
12	310-0105	15/64" Nozzle	1		
12	310-0100	16/64" Nozzle	1	1	1
13	310-0120	3/8"-16 X 1 1/2" screw (plated)	4	4	4
14	310-0140	1/4"-20 X 7/8" screw (S/S)	3	3	3
15	310-0160	Ejector gasket	1	1	1
16	310-0180	Square o'ring pump body	1	1	1
17	310-0200	O'ring diffuser	1	1	1
18	310-0230	Pump base	1	1	1
19	522-3510	1/4" NPT brass plug	2	2	2
20	522-4215	3/8"-16 x 1 1/4" Bolt (plated)	2	2	2
21	522-5313	5/16" washer (plated)	2	2	2
22	661-0124	FTG-10TU 30-50 pressure switch	1	1	1