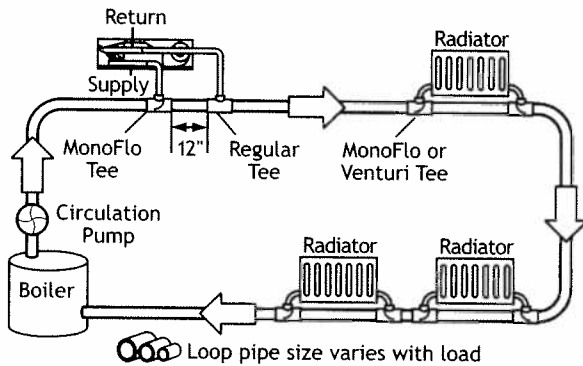


Radiator and Fan Convector Installation

Optional Piping Arrangements

The following drawings are general examples. Consult a certified heating professional for your specific application. MYSON recommends TRV valves on all layouts except series loop system for maximum comfort and control of radiators. This does not apply to Fan Convectors.

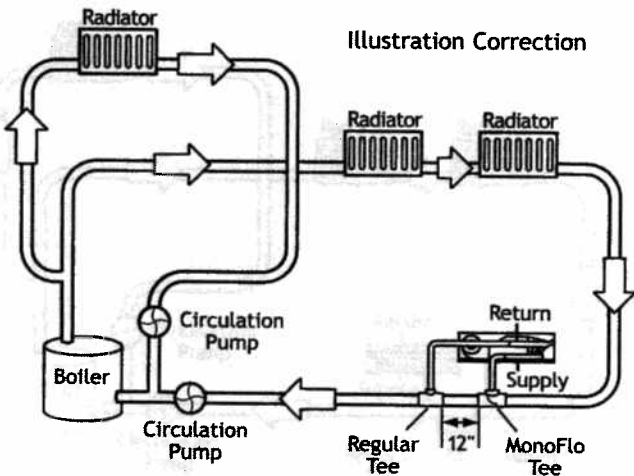


MonoFlo or One Pipe System Acceptable for all MYSON heating applications, balancing valves required.

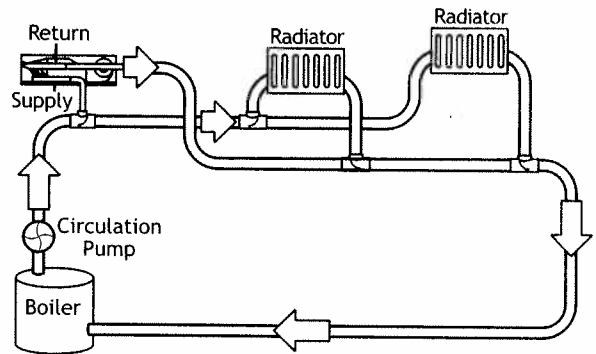
General information on the use of MonoFlo tees:

- Scoop type is installed on the supply
- Venturi type is installed on the return
- If heating unit is below the main or more than 4' / feet horizontally from the main, install two MonoFlo tees with the supply arrows facing each other

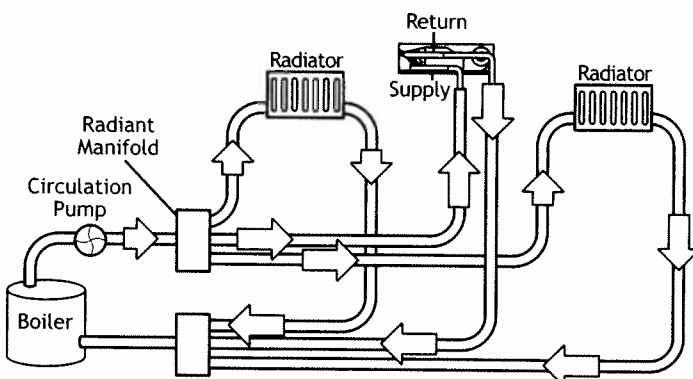
Fan Convectors and Cast Iron Radiators have different heating characteristics. Therefore, it is recommended that the Fan Convector be on a separate controlled heating zone.



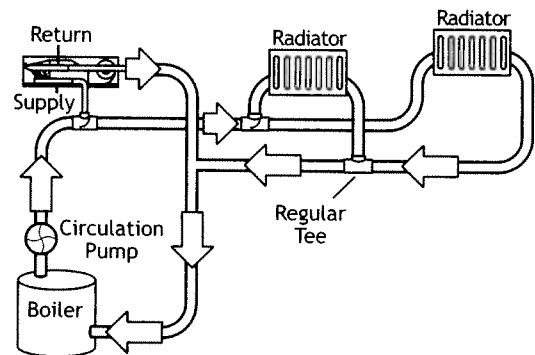
Series Loop System Not compatible with fan convectors. Limited to 15K btuh on panel radiators. A single Fan Convector may be added using MonoFlo tees as shown.



Two Pipe Reverse Return System Acceptable for all MYSON heating applications, balancing valves required when a Fan Convector is used with radiators.



Home Run System



Two Pipe Direct Return System Acceptable for all MYSON heating applications, balancing valves required.