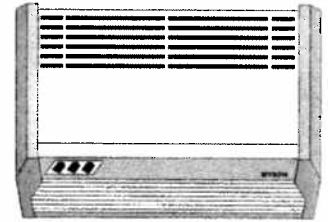


Hi-Line™

Fan Convector from MYSON



HI-LINE FAN CONVECTORS – BTU/HR HEAT OUTPUT – ENTERING AIR @ 65 °F

MODEL #	FLOW RATE GPM ¹	FAN SPEED	AIR DELIVERY CFM	ENTERING WATER TEMPERATURE (°F)									
				110**	120**	130**	140	150	160	170	180	190	200
20-14	3.0	Boost	197	6,940	8,569	10,213	11,870	13,538	15,217	16,904	18,600	20,303	22,013
		Normal	102	4,141	5,118	6,104	7,099	8,101	9,109	10,123	11,143	12,168	13,197
15-10	3.0	Boost	164	5,778	7,140	8,516	9,903	11,300	12,706	14,120	15,542	16,970	18,405
		Normal	90	3,224	3,985	4,755	5,531	6,313	7,100	7,892	8,688	9,488	10,292
10-6	3.0	Boost	106	3,578	4,422	5,276	6,137	7,005	7,878	8,757	9,640	10,528	11,419
		Normal	64	2,397	2,963	3,535	4,112	4,694	5,280	5,869	6,461	7,056	7,654
7-4	3.0	Boost	55	1,912	2,364	2,821	3,281	3,746	4,213	4,683	5,156	5,631	6,108
		Normal	34	1,357	1,678	2,003	2,331	2,662	2,994	3,329	3,666	4,004	4,345

¹NOTE: Correction factor for 1.0 gpm, multiply by 0.87

NOTE: For proper sizing, use the rating at Normal speed.

**For output at these water temperatures, optional 107° low temperature cut-off required.

MYSON reserves the right to make changes or improvements to our products which may affect these specifications.

FAN CONVECTOR COMPARISON @ 180 °F WATER TEMP

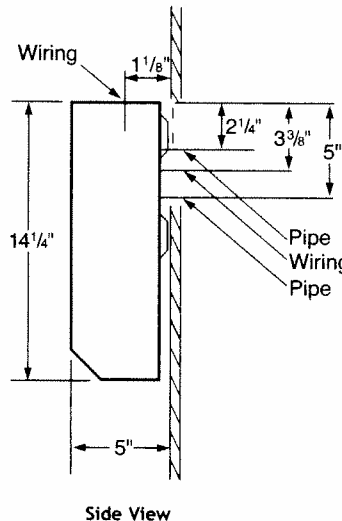
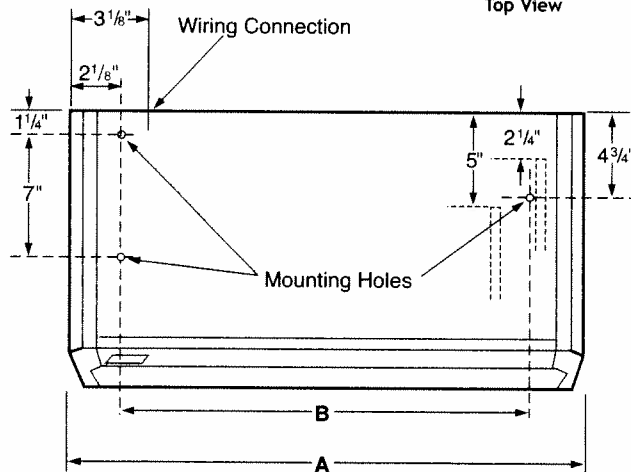
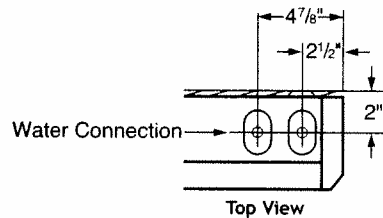
MODEL #	FLOW RATE GPM	FAN SPEED	BASEBOARD (525 BTU/FT)	C.I. RADIATORS (225 BTU/SQ FT)
20-14	3.0	Boost/Normal	35/21 ft	83/50 sq ft
15-10	3.0	Boost/Normal	30/17 ft	69/39 sq ft
10-6	3.0	Boost/Normal	18/12 ft	43/29 sq ft
7-4	3.0	Boost/Normal	10/7 ft	23/16 sq ft

UNIT WEIGHT (LBS)

MODEL #	UNIT WEIGHT	WEIGHT PACKED
20-14	33.5	37.5
15-10	27.0	31.0
10-6	18.5	22.0
7-4	14.5	17.5

FRICTION LOSS (HEAD)

MODEL #	FT WG	
	1 GPM	3 GPM
20-14	0.58	2.68
15-10	0.45	2.08
10-6	0.27	1.57
7-4	0.22	1.36



DIMENSIONS

MODEL #	A	B
20-14	46 1/2"	43 1/2"
15-10	36"	30 3/4"
10-6	25 1/2"	20 3/16"
7-4	20 5/8"	15 3/8"



NOTE: For surface mounting application only.

NOTE: Piping and wiring openings are accessible from either top or back.

HI-LINE FAN CONVECTOR SPECIFICATIONS – Engineered to be efficient.

Controls... Units have a two-speed Boost/Off/Normal fan switch. For installations without a separate thermostat, all models have low-limit thermostats which close at 129°F and reopen at 109°F (±7°F).

Construction... The chassis is manufactured from zinc-coated painted steel.

Warranty... MYSON offers a full ten year warranty on the heat exchanger and a full three year warranty on the fan motor.