

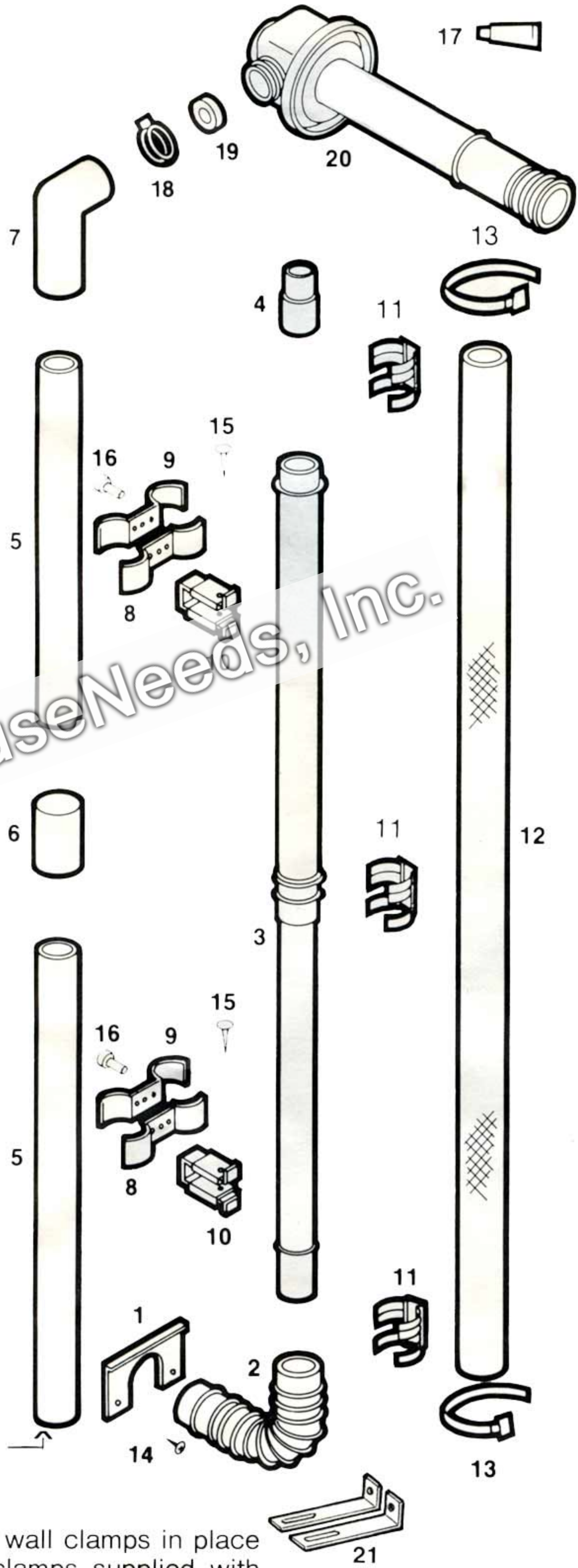
ASSEMBLY & INSTALLATION INSTRUCTIONS FOR EXTENSION KITS

Part No.: 8002 Long Extension Kit
 8003 Medium Extension Kit
 8004 Short Extension Kit
 8212 Extra Short Extension Kit

PARTS LIST EXPLODED

REF. NO.	NAME OF PART	NO.: IN UNIT/DIMENSIONS			
		8002 LONG	8003 MEDIUM	8004 SHORT	8212 EXTRA SHORT
1	Exhaust Pipe Clamp	1	1	1	1
2	Exhaust Elbow	1	1	1	1
3	Adjustable Exhaust Pipe	38"-73"	20 ¹ / ₄ "-38"	11 ¹ / ₂ "-20 ¹ / ₄ "	11 ¹ / ₂ "-7 ¹ / ₆ "
4	Exhaust Joint	1	1	1	1
5	Air Extension Pipe	39" 2	17 ¹ / ₄ "-26 ¹ / ₈ "	26 ¹ / ₈ "	17 ¹ / ₄ "
6	Pipe Joint	1	1	0	0
7	90° Joint	1	1	1	1
8	Support (Base)	3	2	1	1
9	Support (Cover)	3	2	1	1
10	Leg	3	2	1	1
11	Joint Supporter	3	3	3	3
12	Heat Insulation Cover	86 ¹ / ₂ "	47 ¹ / ₄ "	29 ¹ / ₂ "	21 ² / ₃ "
13	Band	2	2	2	2
14	Self-Tapping Screws	2	2	2	2
15	Self-Tapping Screws	6	4	2	2
16	Machine Screws	9	6	3	3
17	Bond	1	1	1	1
18	Hose Clamp	(this part comes with your Monitor™ Heater)			
19	Air Damper	(this part comes with your Monitor™ Heater)			
20	Flue Pipe	(this part comes with your Monitor™ Heater)			
21	Long Wall Clamps	2	2	2	2

IMPORTANT: If you encounter any problems or questions during installation which are not explained in these instructions, refer to your Monitor™ Heater Owner's Guide for more information on your heater.



Connect air supply elbow here (air supply elbow is a component of your Monitor™ Heater; it is not included in this kit).

Use the long wall clamps in place of the wall clamps supplied with your Monitor™ Heater.

MONITOR™ HEATER ASSEMBLY AND INSTALLATION INSTRUCTIONS FOR ACCESSORY KITS

IMPORTANT: Use only *extension kits* from Monitor Products. These kits provide for adequate flue gas and air flows, hold flue and air pipes a minimum of 3-1/2 inches apart, and maintain at least 1 inch clearance from wall (the measurements are center to center).

- A. Lay out adjustable exhaust and air extension pipes. Measure all distances before cutting.
- B. Cut parts to fit. Clean all cut edges and remove chips, especially from air extension pipe. Chips may enter burner and interfere with operations.
- C. Loosely assemble adjustable exhaust and air extension pipes and make final adjustments.
- D. For final assembly, remove each air pipe joint and apply a bead of bond to the inside walls of 90° joint (7) and pipe joint (splicing and intake pipe (6)).

NOTE: Be sure pipes are inserted and sealed straight.

- E. Pull out (twist) adjustable exhaust pipe (3) to proper height. Separate exhaust joint (4) from exhaust elbow (2).

CAUTION: Do not apply bond to exhaust pipe joints.

- F. Insert large opening of exhaust joint into large opening of adjustable exhaust pipe. Clamp joint supporter (11) to secure joint together.
- G. Insert other end of adjustable exhaust pipe into large hole opening of exhaust elbow and secure pipe connection with joint supporter.
- H. Cover the adjustable exhaust pipe with heat insulation cover (12) and cut off excess cloth. Roll back each end and secure by encircling it with band (13) and tightening band.
- I. Orient air supply elbow (the flexible, black rubber elbow located at the rear of your Monitor™ Heater ; not a part of this kit) to meet air extension pipe (5) without crushing. If air supply elbow will not connect to air extension pipe without crushing, then rotate it. Remove the screws (holding the air supply elbow flange to the cabinet), adjust the position, and reconnect it with the same screws.

NOTE: Make sure the air damper is installed over the flue pipe "air in take flange". (To locate flue pipe "air intake flange", see your Monitor™ Heater Owner's Guide.)

- J. Place hose clamp over opening of 90° joint (which is connected to the air extension pipe).
- K. Insert 90° joint opening over flue pipe air intake flange and secure with hose clamp.
- L. Apply a bead of bond to the inside wall of the air supply elbow. Slip the end of the air extension pipe into the air supply elbow. Make sure it is firmly seated.
- M. Connect exhaust joint (connected to adjustable exhaust pipe) into flue pipe "exhaust flange". (To locate flue pipe "exhaust flange", see your Monitor™ Heater Owner's Guide.)
- N. Move heater on spill tray near to the final position. Using leveling guide at the right rear corner of cabinet, adjust feet to level unit.
- O. Slide the exhaust elbow onto the exhaust port opening on the rear of the heater. (To locate exhaust port opening, see your Monitor™ Heater Owner's Guide.)

NOTE: Be sure the exhaust elbow is firmly fixed on the adjustable exhaust pipe with a joint supporter.

- P. Secure the exhaust elbow by attaching the exhaust pipe clamp to the heater cabinet with two self-tapping screws (14).

NOTE: Measure the distance from the wall to heater at each side, and make sure it is parallel.

- Q. From the top of both air supply pipe and adjustable exhaust pipe affix two (2) sets of wall support brackets, base (8), cover (9), and leg (10) at 1/3 and 2/3 of the distance. Use three machine screws (16) to secure support brackets together.
- R. Adjust leg height to meet wall by loosening both machine screws. Once adjusted, tighten screws and secure to wall with self-tapping screws (15).