

# READ AND SAVE THESE INSTRUCTIONS



**Marley**  
Engineered Products

MODELS 7100A, 7150A, 8090A, & 8100A FANS  
MODELS 7100LA, 7150LA, 8090LA, 8100LA, FAN/LIGHTS

## DESCRIPTION

The FAN and FAN/LIGHT models listed in these instructions are intended for use in bathrooms. However, they can also be used in other areas where ventilation is required. These units are approved for installation in the ceiling above a bathtub or shower stall only when connected to a U.L. Listed GFCI protected branch circuit. ALL FAN/LIGHT models are U.L. Listed Type I.C. (Inherently Protected) for installation in insulated ceilings.

## UNPACKING

Unpack carefully. If there are missing components or hidden damage, immediately contact your distributor or the delivering carrier concerning discrepancies.

## IMPORTANT SAFETY INSTRUCTIONS

### WARNING:

#### TO REDUCE RISK OF FIRE, ELECTRICAL SHOCK OR INJURY TO PERSONS, OBSERVE THE FOLLOWING:

1. Do not use this fan with any Solid-State speed control device.
2. Use this unit only in the manner intended by the manufacturer. If you have any questions, contact the manufacturer.
3. Before servicing or cleaning unit, switch power off at service panel and lock service panel to prevent power from being switched on accidentally.
4. Installation work and electrical wiring must be done by qualified person(s) in accordance with all applicable codes and standards, including fire-rated construction.
5. Sufficient air is needed for proper combustion and exhausting of gases through the flue (chimney) of fuel burning equipment to prevent back drafting. Follow the heating equipment manufacturer's guideline and safety standards such as those published by the National Fire Protection Association (NFPA), and the American Society for Heating and Air Conditioning Engineers (ASHRAE), and the local code authorities.

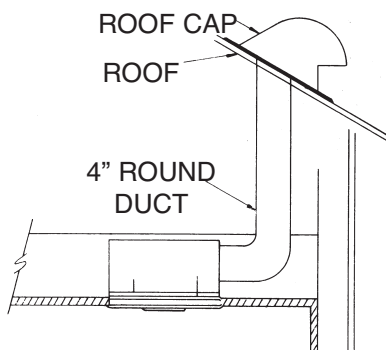


FIG. 1

6. When cutting or drilling into wall or ceiling, do not damage electrical wiring or other hidden utilities.
7. Ducted fans must always be vented to the outdoors.
8. If this unit is installed over a tub or shower, it must be marked as appropriate for the application. See product label.
9. NEVER place a switch where it can be reached from a tub or shower.
10. **CAUTION: For General Ventilation Use Only!** Do not use to exhaust hazardous or explosive materials or vapors.
11. Not for use in kitchens.

## TOOLS

Installation of your Marley Engineered Products fan is easy. No special technical knowledge is needed; only a few ordinary tools are required:

Screwdriver  
Hammer  
Saber saw, Keyhole saw, or Jig saw  
Electric drill with bit  
Wire cutters  
Wire stripper  
Wire nuts and general electrical supplies  
Safety glasses  
Ruler and straight edge

All hand tools should be insulated. Power tools should display the UL Listing Mark.

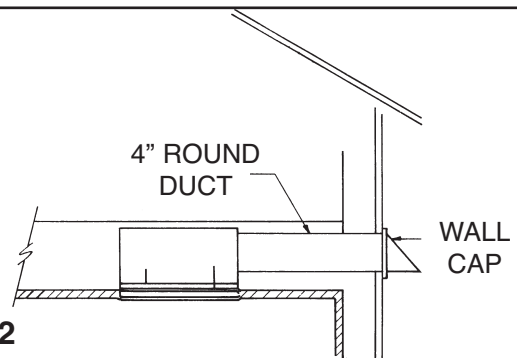
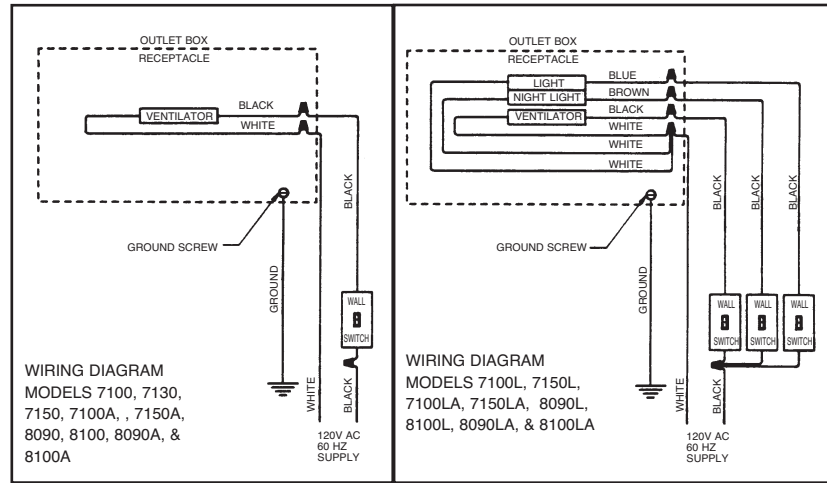


FIG. 2

# CAUTION!

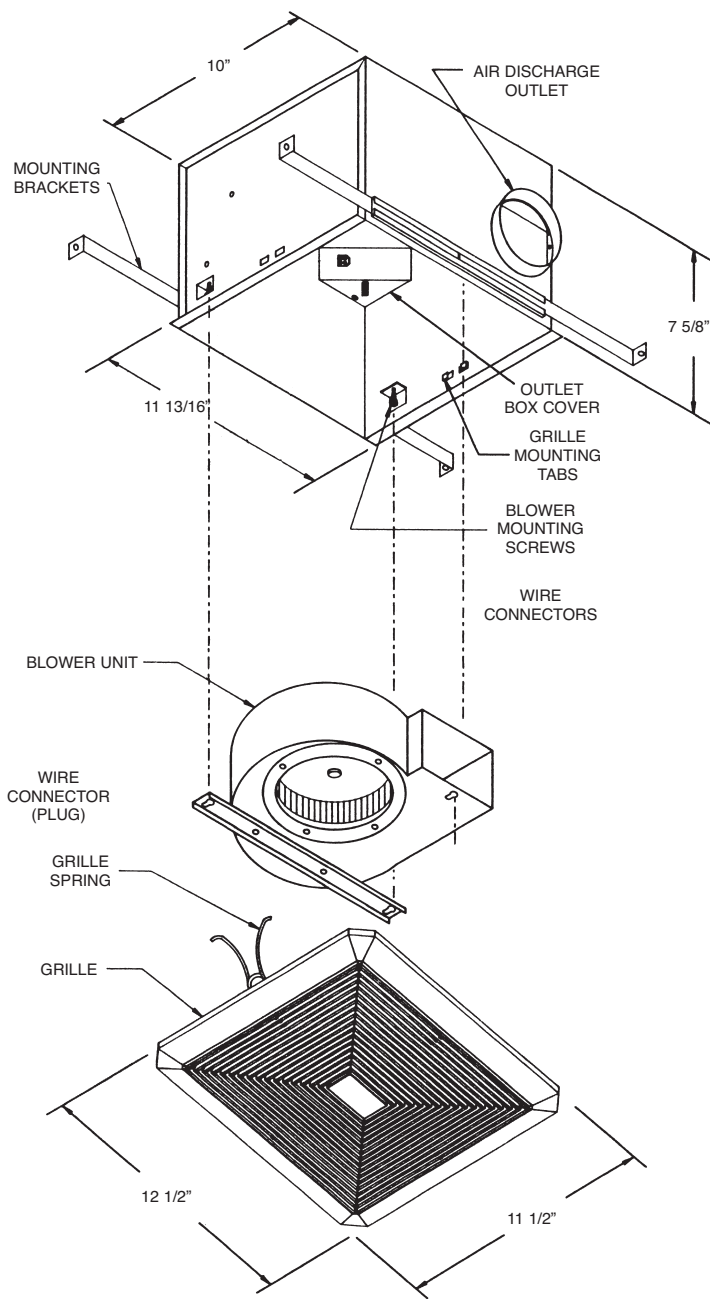
**BE SURE ALL WIRING COMPLIES WITH LOCAL AND NATIONAL ELECTRICAL CODES, AND HOUSING IS PROPERLY GROUNDING.**



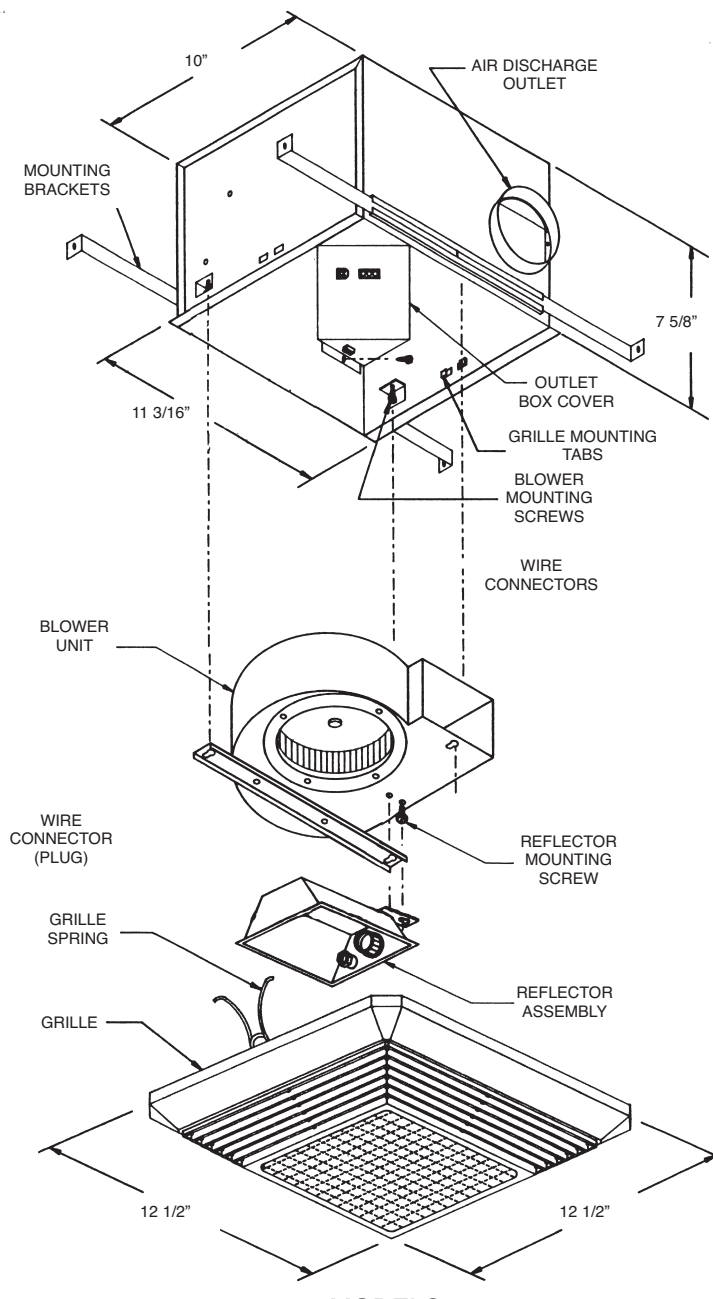
## NEW HOME INSTALLATION

**(MODELS: 7100A, 7130A, 7150A, 8090A, 8100A, 7100LA, 7150LA, 8090LA & 8100LA)**

1. Remove grille assembly from carton and set aside until needed. Remove reflector assembly from blower unit (MODELS: 7100LA, 7150LA, 8090LA & 8100LA) by pulling plug from receptacle, loosen mounting screws and remove through keyhole slot. See Fig. 4.
2. Loosen three screws securing blower unit to housing and slide it toward outlet box. Carefully lift and tilt blower unit and remove from housing. Pull motor plug from receptacle. See Figs. 3 & 4.
3. Remove outlet box cover by removing mounting screw. Retain cover and screw for reinstallation. Remove desired knockout from housing.
4. Insert (4) mounting brackets with angles pointing away from housing. In approximate location between joist where housing will be located, drive (2) nails (4D or 6D) 1" from bottom of joist, 11" apart leaving 1/4" of nail projecting. Position one set of mounting brackets over nails and drop into place. Extend the remaining mounting brackets to the adjacent joist and repeat nailing procedure. Finish driving nails and adjust housing between ceiling joist. See Fig. 5.
5. Run 120V A C, 60 Hz power cables from wall switch/switches to appropriate knockout in housing. Use a BX or Romex connector. (Refer to wiring diagram designated for the model being installed.) Connect cables from wall switch/switches to receptacle wires using approved wire connectors. Connect ground wire to green screw or lead in outlet box. Install outlet box cover and secure with screw provided.
6. Run four inch duct from discharge outlet to roof jack or wall cap. See Figs. 1 & 2.  
**IMPORTANT:** Be sure nothing obstructs the discharge of the vent. Take precautions to insure that insulation does not get into ductwork or fan discharge opening, and damper opens and closes freely.
7. Push blower motor plug into receptacle and carefully replace blower unit. Reverse procedure as noted. Tighten screws securely. See Figs. 3 & 4.
8. Insert lamp plug of reflector assembly into lamp receptacle on the outlet box. Align keyhole slot on reflector assembly bracket over screw on blower unit and slide into place. Insure that protrusion in bracket aligns with hole in blower assembly and tighten screw. Install 100 watt (maximum) type A-19 bulb and a 7 1/2 watt candelabra base C-7 bulb. (MODELS: 7100LA, 7150LA, 8090LA & 8100LA only.)
9. Squeeze spring on plastic grille and insert into tabs located in housing. See Figs. 3 & 4. Press grille firmly into place.



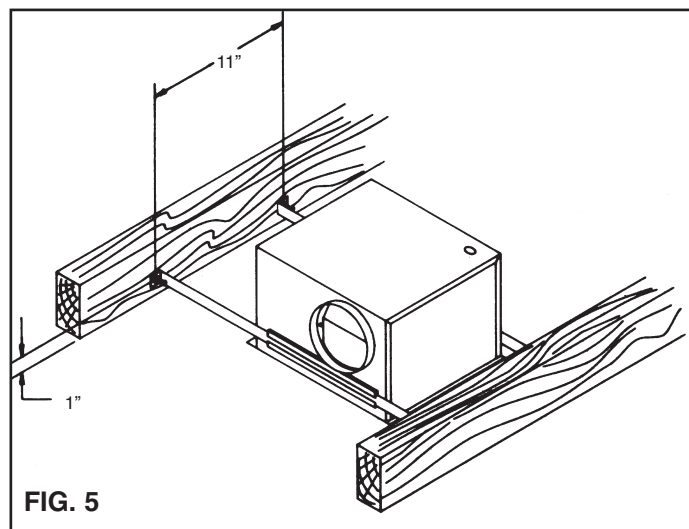
**FIG. 3** MODELS:  
7100A & 7150A



MODELS:  
7100LA & 7150LA

**INSTALLATION IN EXISTING HOMES  
(MODELS: 7100A, 7130A, 7150A, 8090A,  
8100A, 7100LA, 7150LA, 8090LA & 8100LA)**

1. Carefully read all previous installation instructions and follow those applicable to your installation, including ducting and wiring. (Figs. 1 & 2.)
2. Drill a small hole in the ceiling from below in proposed location, then locate this hole in the attic (or crawl space).
3. In attic, mark ceiling for cutout by using housing as a template. Using this line, make a cutout about 1/4" larger.
4. Place housing with mounting brackets installed into hole and rest mounting brackets on sheetrock. Extend and nail all four ends of mounting brackets.
5. Perform steps 1 through 10 as for new construction.



**FIG. 5**

## SPECIFICATIONS:

MODEL	VOLTS	DUCT SIZE	CFM RATING	H.V.I. Certification (Sq. Ft.)		
				BATH	KITCHEN	OTHER
8090A/8090LA	120	4"	90	85	N/A	115
7100A/7100LA 8100A/8100LA	120	4"	100	95	N/A	125
7150A/7150LA	120	4"	150	140	N/A	190

### HOW TO OBTAIN WARRANTY SERVICE AND WARRANTY PARTS PLUS GENERAL INFORMATION

1. Warranty Service or Parts **1-800-642-4328**
2. Purchase Replacement Parts **1-800-654-3545**
3. General Product Information **[www.marleymep.com](http://www.marleymep.com)**

**Note:** When obtaining service always have the following:

1. Model number of the product
2. Date of manufacture
3. Part number or description



**Marley**  
Engineered Products

470 Beauty Spot Rd. East  
Bennettsville, SC 29512 USA

Part No. 5200-2500-004

PPD 079  
04/06