

# READ AND SAVE THESE INSTRUCTIONS.



## MODEL 899L VENTILATOR

### DESCRIPTION

Model 899L gives automatic through-the-wall ventilation. It allows placement of the ventilator over the kitchen range and is operated by a pull chain switch. Care must be taken at all times in handling the motor blade assembly, so as to avoid bending the blades.

### UNPACKING

Unpack carefully. If there are missing components or hidden damage, immediately contact your distributor or the delivering carrier concerning discrepancies.

---

---

### IMPORTANT SAFETY INSTRUCTIONS

---

---

#### WARNING:

**TO REDUCE THE RISK OF FIRE, ELECTRICAL SHOCK OR INJURY TO PERSONS, OBSERVE THE FOLLOWING:**

1. Do not use this fan with any Solid-State speed control device.
2. Use this unit only in the manner intended by the manufacturer. If you have questions, contact the manufacturer.
3. Before servicing or cleaning unit, switch power off at service panel and lock service panel to prevent power from being switched on accidentally.
4. Installation work and electrical wiring must be done by qualified person(s) in accordance with all applicable codes and standards, including fire-rated construction.
5. Sufficient air is needed for proper combustion and exhausting of gases through flue (chimney) of fuel burning equipment to prevent back drafting. Following the heating equipment manufacturer's guideline and safety standards such as those published by the National Fire Protection Association (NFPA), and the American Society for Heating Refrigeration and Air Conditioning Engineers (ASHRAE), and the local code authorities.
6. When cutting or drilling into wall or ceiling, do not damage electrical wiring or other hidden utilities.
7. **CAUTION:** For General Ventilating Use Only! Do not use to exhaust hazardous or explosive materials and vapors.
8. **CAUTION:** To reduce the risk of fire and to properly exhaust air, be sure to duct air outside. DO NOT vent exhaust air into spaces within walls, ceilings, attics, crawl spaces or garages. DO NOT install sleeve or duct in a fire rated wall.

#### DIMENSIONS

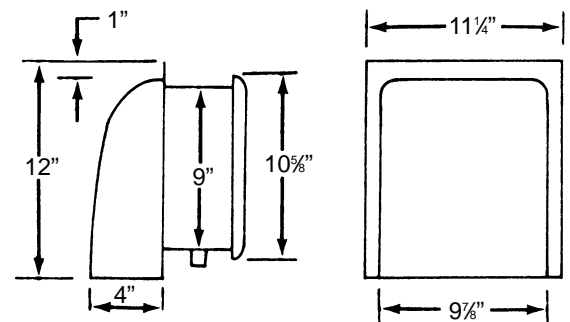


Figure 1

## TOOLS

Installation of your Marley product is easy. No special technical knowledge is needed. Only a few ordinary tools are required:

- Screwdriver
- Hammer
- Saber saw, Keyhole saw, or Jig saw
- Electric drill with bit
- Wire cutters
- Wire stripper
- Wire nuts and general electrical supplies
- Safety glasses
- Ruler and straight edge

All hand tools should be insulated. Power tools should display the UL Listed Mark.

## NEW HOME INSTALLATION

1. Cut round or square hole in sheathing at desired location in wall. Round holes should be  $9\frac{1}{8}$ " in diameter. Square holes should be  $9\frac{1}{8}$ " on a side. (See Figure 2.)
2. Install door and outside sleeve assembly from outside. Caulk and level assembly before nailing door frame tight. Remove tape, permitting damper door to open. House insulation can be worked around sleeve. (See Figure 3.)
3. Working from inside the house, slide inside sleeve into place temporarily. Determine whether to remove one or both knockouts from outside sleeve, permitting outlet box to drop through. Remove knockouts from outside sleeve. (See Figure 4.)
4. Slide inside sleeve into place again, and pull power cable through outlet box opening. This will determine length of power cable to ventilator. Attach cable to outlet box, using an approved connector and wire as shown. Ground wire may be attached to grounding bolt in outlet box. (See Figure 5.)
5. Adjust inside sleeve so that flange will be flush with finished wall. Using metal screws, fasten inside housing to outside housing. Screws are provided with ventilator.
6. Push outlet box and outlet cover into place and fasten with screws.
7. Remove chain from envelope and attach it to slotted hole in end of chain spring on inside of door. Feed chain through chain guides and over switch lever.
8. Install motor blade assembly. Chain hole and hook are located at bottom of ventilator. Engage keyhole slots over screws in ventilator, twist and tighten, making sure that blade is centered in sleeve.
9. Push switch lever down to prevent motor from starting and insert plug into receptacle. Be sure fan blade does not strike cord. When switch lever is released, motor will start.

10. Feed chain through hole in motor bracket and slot in grille and attach grille to ventilator with knob. Obtain pendant from envelope and slide it into chain. Attach small sleeve or coupling to end of chain and pull pendant against it.
11. To shut off ventilator, pull chain taut and swing to the left to secure it in hook.

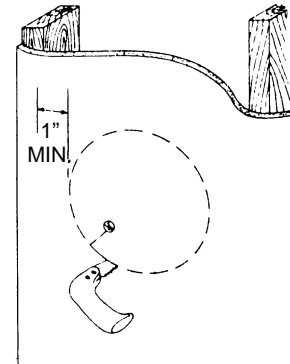


Figure 2

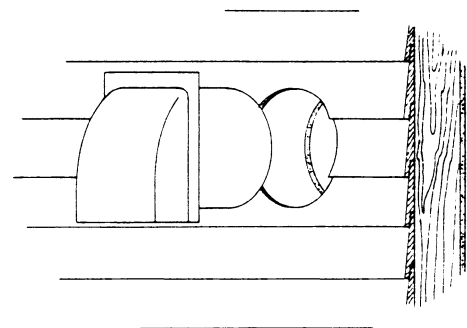


Figure 3

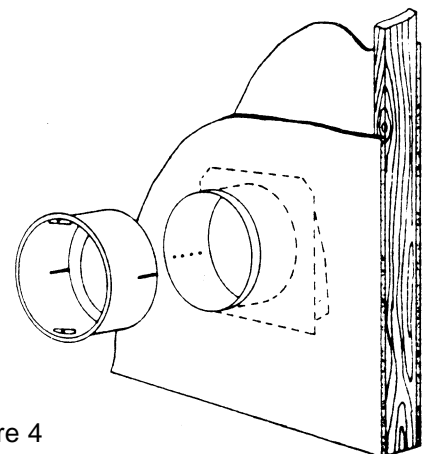


Figure 4

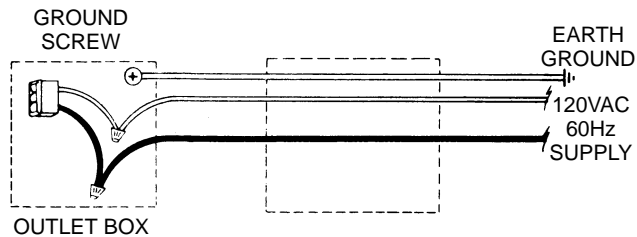


Figure 5 - Wiring Diagram

**CAUTION**  
**BE SURE ALL WIRING COMPLIES WITH**  
**LOCAL AND NATIONAL ELECTRICAL CODES**  
**AND HOUSING IS PROPERLY GROUNDED.**

### TO INSTALL IN EXISTING HOMES

1. Determine location of ventilator. Check wall for studs and obstructions.
2. Working inside wall first, draw a circle 9 $\frac{1}{8}$ " in diameter at determined location. Be sure opening is at least one inch from studs. (See Figure 2.)
3. Carefully saw opening in plaster. Remove just enough insulation to allow sleeve to pass through, exposing sheathing. Mark center of the hole on the sheathing. At this point, drill small hole to outside.
4. Now work from the outside. Using hole as a center point, draw a circle on outside wall 9 $\frac{1}{8}$ " in diameter. Saw opening. In case of brick or stone, use hammer and chisel to make opening. (See Figure 6.)
5. Install door and outside sleeve assembly from outside. Caulk and level before nailing tight. Remove tape, permitting damper door to open. (See Figure 3.)
6. Working from inside the house, slide inside sleeve into place temporarily. Determine whether to remove one or both knockouts from outside sleeve, permitting outlet box to drop through. Remove knockouts from outside sleeve. (See Figure 4.)
7. Slide inside sleeve into place again and pull power cable through outlet box opening. This will determine length of power cable to ventilator. Attach cable to outlet box, using approved connector, and splice cable to receptacle leads in outlet box cover. Ground wire may be attached to grounding bolt in outlet box. (See Wiring Diagram, Figure 5.)
8. Adjust inside sleeve so that flange is flush with finished wall. Using metal screws, fasten inside housing to outside housing. Screws are supplied with ventilator.
9. Perform Steps 6-11 as for new homes to finish installation.

### TYPICAL INSTALLATIONS

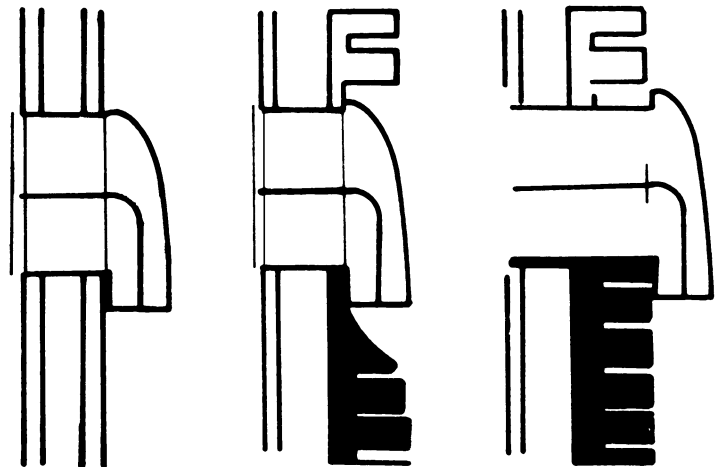


Figure 6

## **HOW TO ORDER REPAIR PARTS**

In order to obtain any needed repair or replacement parts, warranty service or technical information, please contact Marley Engineered Products Service Center toll-free by calling 1-800-642-HEAT.

When ordering repair parts, always give the information listed as follows:

1. The Part Number
2. The Model Number
3. The Part Description
4. Date of Manufacture



**Marley**  
Engineered Products

SPX Corporation  
470 Beauty Spot Rd. East  
Bennettsville, SC 29512 USA