



# Fantech

## Accessories Book

August 2004 – AB0804



Fantech | Your Ventilation Solutions Company

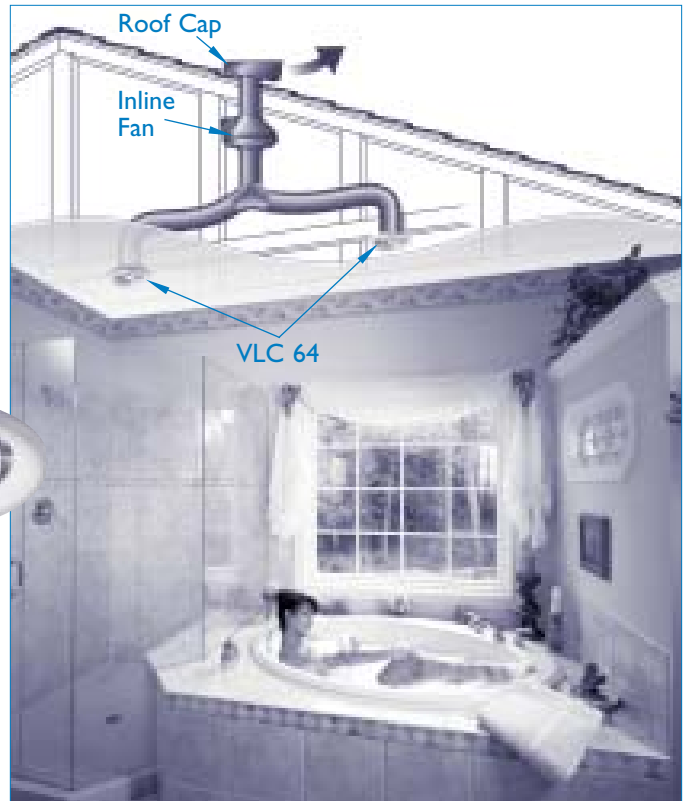
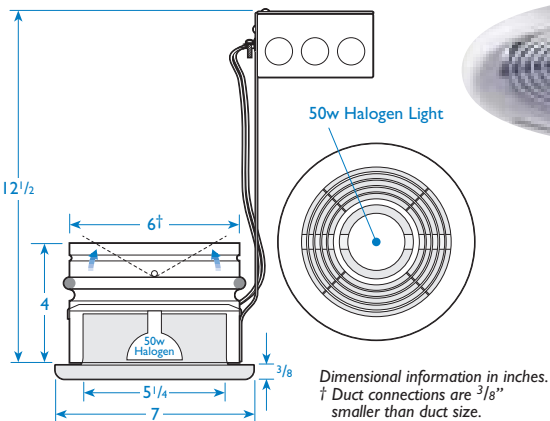
# Supply/Exhaust Fans

## Combination Exhaust Grill and Light

### VLC64



Vent light combination. Small-scale grill with 50 watt halogen light (MR16 bulb included). UL approved for wet locations. Kit includes prewired grill light assembly with back-draft damper, 50 watt halogen bulb, and 6 to 4-inch reducer for connecting ductwork. Does not include fan. May also be used as a light only.

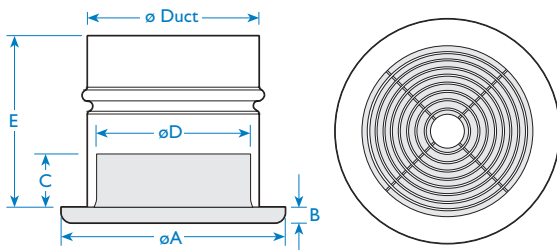


## Fixed Exhaust Grills

### DG



Fantech's Designer Grill. A low profile, fixed circular plastic exhaust grill. Included with the grill is a matching diameter galvanized mounting collar with nailing strip.



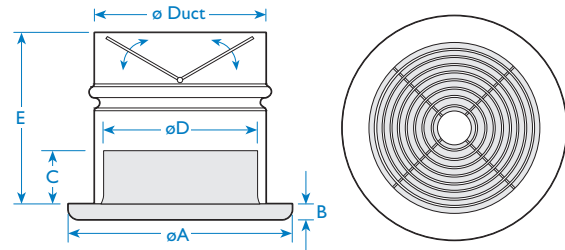
Model	UPC#	ø Duct†	ø A	B	C	ø D	E
DG 4	67940	4	4 7/8	3/8	1 7/8	3 5/8	3 3/4
DG 6	67960	6	7	3/8	1 7/8	5 5/8	3 3/4

Dimensional information in inches. † Duct connections are 1/8" smaller than duct size.

### DGD



Fantech's Designer Grill/Damper. Same as DG with integrated backdraft damper.



Model	UPC#	ø Duct†	ø A	B	C	ø D	E
DGD 4	67945	4	4 7/8	3/8	1 7/8	3 5/8	4
DGD 6	67965	6	7	3/8	1 7/8	5 5/8	4

Dimensional information in inches. † Duct connections are 1/8" smaller than duct size.

**All Fantech grills (except VLC64) are available in bulk packs.**  
Suggested maximum airflow for Fantech Exhaust Grills is: 4" – 100CFM; 5" – 125CFM, 6" – 150CFM, 8" – 200CFM.

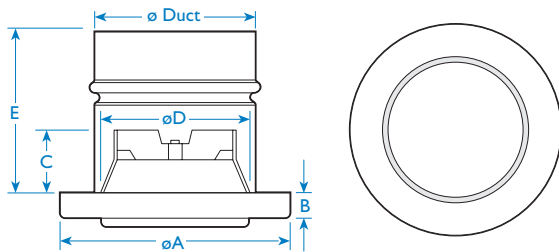
# Supply/Exhaust Fans

## Adjustable Exhaust Grills

### PGE



Fantech's Plastic Grill. A low profile, adjustable intake/exhaust circular grill. Included with the grill is a matching diameter galvanized mounting collar with nailing strip.



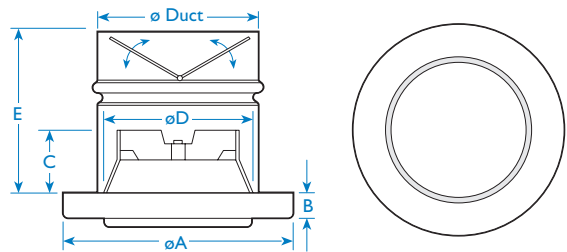
Model	UPC#	ø Duct†	ø A	B	C	ø D	E
PGE 4	50040	4	5 1/2	3/4	1 1/2	3 7/8	3 3/4
PGE 5	50050	5	6 1/4	3/4	1 3/8	4 7/8	3 3/4
PGE 6	50060	6	7 3/4	3/4	1 3/8	5 7/8	3 3/4
PGE 8	50080	8	9 1/2	3/4	1 3/8	7 7/8	3 3/4

Dimensional information in inches. † Duct connections are 1/8" smaller than duct size.

### PGDE



Plastic Grill includes integrated backdraft damper. A low profile, adjustable intake/exhaust circular grill. Included with the grill is a matching diameter galvanized mounting collar with nailing strip.



Model	UPC#	ø Duct†	ø A	B	C	ø D	E
PGDE 4	50045	4	5 3/4	3/4	1 3/8	3 7/8	3 7/8
PGDE 6	50065	6	7 3/4	3/4	1 3/8	5 7/8	3 7/8

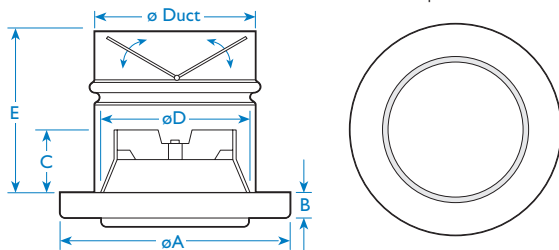
Dimensional information in inches. † Duct connections are 1/8" smaller than duct size.

### MGE/MGDE



Fantech's Metal Grill. White powder coat finish. A low profile, adjustable intake/exhaust circular grill. Included with the grill is a matching diameter galvanized mounting collar with nailing strip.

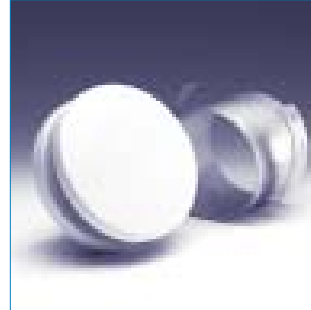
MGDE includes integrated backdraft damper



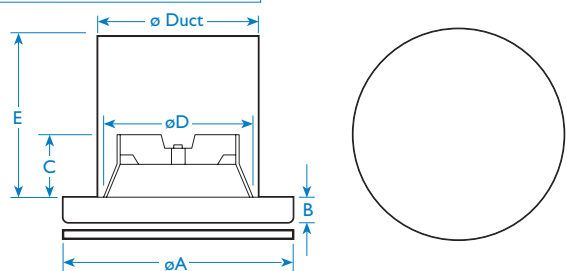
Model	UPC#	ø Duct†	ø A	B	C	ø D	E
MGE 4	68040	4	5 3/4	5/8	1 5/8	3 7/8	3 3/4
MGE 5	68050	5	6 3/8	5/8	1 5/8	5 3/4	3 3/4
MGE 6	68060	6	7 1/2	5/8	1 7/8	5 7/8	3 3/4
MGE 8	68080	8	9 1/8	3/4	1 7/8	7 7/8	3 3/4
MGDE 4	68045	4	5 3/8	5/8	1 1/2	3 7/8	4
MGDE 6	68065	6	7 1/2	5/8	1 7/8	5 7/8	4

Dimensional information in inches. † Duct connections are 1/8" smaller than duct size.

### MGS



Fantech's Metal Supply Grill. White powder coat finish. A low profile, adjustable, circular grill. Included with grill is a matching diameter galvanized mounting collar with nailing strip.



Model	UPC#	ø Duct†	ø A	B	C	ø D	E
MGS 4	68540	4	5 3/8	5/8	1 5/8	3 7/8	3 3/4
MGS 5	68550	5	6 1/4	5/8	1 5/8	5 3/4	3 3/4
MGS 6	68560	6	7 1/2	5/8	1 7/8	5 7/8	3 3/4
MGS 8	68580	8	9 1/4	3/4	1 7/8	7 7/8	3 3/4

Dimensional information in inches. † Duct connections are 1/8" smaller than duct size.

# Controls & Switches

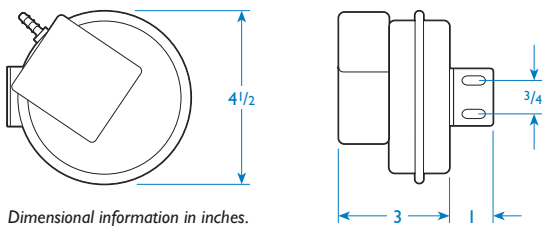
## Pressure Switches

### DB 10



Dryer boost switch. Automatic pressure switch allows for fully automatic operation of dryer booster fan. Fan runs for 10 minutes when positive pressure is sensed in the duct line then shuts off and turns on again as needed. Switch suitable for 115 volt supply, 2 amp rating.

UPC #12010



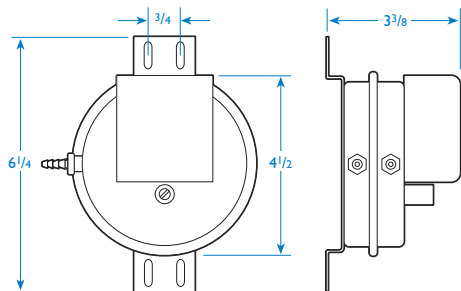
Dimensional information in inches.

### FPS 10



Pressure switch. Adjustable between 0.05" to 1.0" water differential pressure. Using either positive or negative pressure sensing for duct line. Switch suitable for 115 volt supply, 10 amp rating.

UPC #12012



Dimensional information in inches.

## Variable Speed Controllers

### SCD Series



Slide type variable speed controller with on/off switch. White Decora-style switch plate and screws included. Fits standard single gang box.

Note: Model SCD 7 protrudes <sup>5</sup>/<sub>8</sub>-inch from wall.

Model	UPC#	Volts	Amps
SCD 5	56055	115	5
SCD 7	56075	115	7

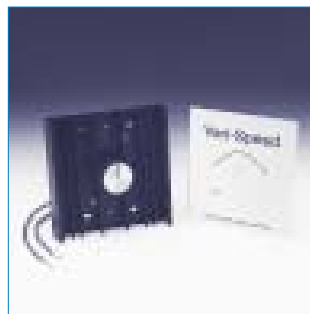
### WC Series



WC15 and WC25 (2 wire) rotary type variable speed controller with on/off switch. Brushed aluminum switch plate and screws included. Fits standard single gang box. WC15H (4 wire) contains all the features as the WC15 with a high speed bypass.

Model	UPC#	Volts	Amps
WC 15	56005	115	5
WC 15H	56008	115	5
WC 25	56006	220	5

### RPE Series



Heavy duty rotary type variable speed controller with on/off switch. Brushed aluminum switch plate and screws included.

Model	UPC#	Volts	Amps
RPE 10	56010	115	10
RPE 15	56015	115	15
RPE 210	56210	230	10

# Controls & Switches

## Timers

### FD 60EM



Electronic push button timer. Select from 10, 20, 30 and 60 minute timed operation of fan. Includes Decora style white switch plate and screws. Fits standard single gang box. Ideal for multiple switching locations. Switch suitable for 115 volt supply. 20 amp rating.

UPC #73200

### FD 30M



Mechanical crank timer. Select from 1 to 30 minutes of timed fan operation. Switch suitable for 115 or 230 volt supply. 7 amp rating. Use with Decora-style or standard white face plate (not included). Suitable for multiple switching locations.

UPC #73030

### FLD 60



Fan/Light delay timer switch. Allows continuous operation of the fan for up to 1 hour after light switch is turned off. Switch suitable for 115 volt supply. 5 amp rating. Brushed aluminum switch plate and screws included. Suitable for single switching location.

UPC #73060

### RTS2

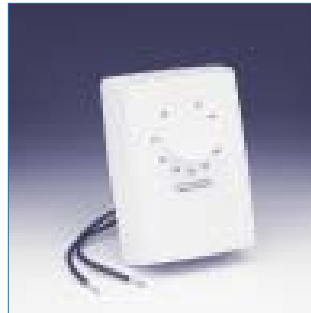


15-minute timer with LED light for use with the majority of Fantech residential Heat Recovery and Energy Recovery Ventilators. Works as an override switch to turn HRV or ERV on high speed for 15 minutes. Up to four timers can be used. Install in bathrooms, kitchen or laundry – where ever easy-access wall control is needed. 24 volt.

UPC #13462

## Dehumidistat Controller

### FH 20



Wall mounted dehumidistat. Adjustable between 20% and 80% relative humidity. Switch suitable for up to 115 volt supply. 7.5 amp rating. White.

UPC #73020

## Attic Thermostat

### FAT 10



Thermostat for use with attic ventilation systems. Adjustable between 80° and 130°F. Switch suitable for 115 volt supply. 10 amp rating.

UPC #29110

## Air Screen Controls

### AS DS



Cast metal and plastic plunger style door switch. Switch suitable for 115 or 230 volt supply. 15 amp rating. Designed for use with Fantech Air Screens AC-3600 through AS-6012.

UPC #29101

### AS TS



Two-stage thermostat for heated Air Screens. Switch suitable for 115 or 230 volt supply. 7 amp rating.

UPC #29105

# Controls & Switches

## HRV/ERV Controls

### EDF5

#### DIGITAL DISPLAY

Shows Indoor Humidity Level

#### DEHUMIDISTAT CONTROL

A Dehumidistat is ideal for use in energy efficient houses where indoor humidity (during the heating season) is higher than outdoor levels. High humidity is a major cause of structure damage and IAQ problems such as mold and mildew.

#### OVERRIDE TIMER

When pressed, unit will provide high speed ventilation for one 15, 30 or 60 minute period.

#### MAINTENANCE LIGHT

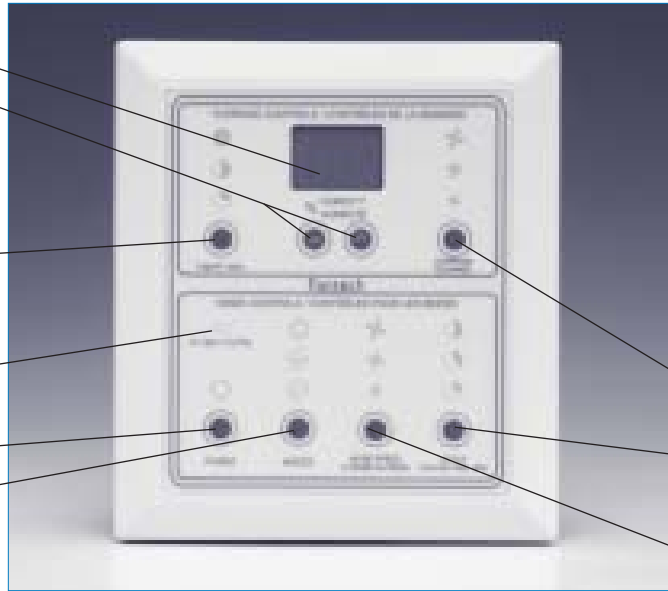
Light comes on when it's time to clean unit.

#### POWER

On/Off and Reset

#### MODES

Select Intermittent, Recirculation or Continuous Ventilation Modes



Control multiple functions of your Fantech HRV/ERV with one slimline wall control. Two-wire connection simplifies installation. Use one EDF5 per HRV/ERV installed.

#### OVERRIDE SPEED CONTROL

Push to select override speed of unit.

#### CYCLE CONTROL

Set unit to cycle on 15, 20, or 30 minutes every hour

#### MODE SPEED

Set Unit to Low, Medium or High Speed

### EDF2



Multi-function wall control for use with Fantech SHR/VHR Heat Recovery units or SER Energy Recovery units. Two-wire connection simplifies installation. Similar to EDF5 (shown above) without recirculation mode.

UPC# 13481

## Dehumidistats

### AQS 1



Air Quality Sensor for use with Fantech HRV/ERV systems. Automatically senses pollutants and activates HRV/ERV to high speed if levels exceed normal condition. Features indicator light that changes color to indicate level of pollution in the home. Pushbutton override switch sets unit to run 1, 2 or 3 hours at high speed. Three-position for efficient operation. Use one per HRV/ERV system.

UPC# 13472

### MDEH 1



2-wire low voltage dehumidistat control with rotary dial. Just turn the dial to set the humidity level. Multiple units can be used with Fantech HRV's. Install in bathrooms, kitchen or laundry for easy access.

UPC# 13474

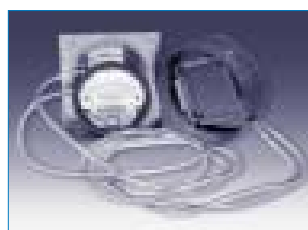
### MDEH 2



4-wire low voltage dehumidistat control with power indicator light and on/off switch. Dial lights up when dehumidistat turns unit to high speed. Use one per HRV system. (Do not use with EDF5.)

UPC# 13476

### MPG 05



Magnehelic Pressure Gauge for measuring and balancing airflow. (0.50"/2000-OD). Shown here with optional accessories. For complete list of available accessories see Fantech Price List.

UPC# 23096

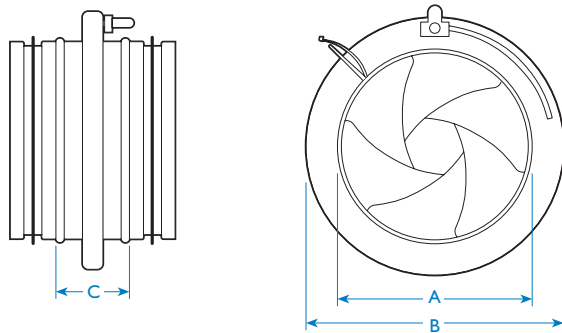
# Duct Supplies

## Iris Dampers

### IR



Iris dampers for quiet, precise balancing of ventilation systems. Dampers include calibrated air-flow measuring device.



Model	UPC#	A†	B	C
IR 4	63040	4	6 <sup>1</sup> / <sub>2</sub>	2 <sup>1</sup> / <sub>4</sub>
IR 5	63050	5	8 <sup>1</sup> / <sub>4</sub>	2 <sup>1</sup> / <sub>2</sub>
IR 6	63060	6	9	2
IR 8	63080	8	11 <sup>1</sup> / <sub>4</sub>	2 <sup>1</sup> / <sub>4</sub>
IR 10	63100	10	13	2 <sup>3</sup> / <sub>4</sub>
IR 12	63120	12	16	2 <sup>3</sup> / <sub>8</sub>
IR 16	63160	16	22	3 <sup>1</sup> / <sub>4</sub>
IR 20	63200	19 <sup>3</sup> / <sub>4</sub>	25 <sup>3</sup> / <sub>8</sub>	2 <sup>3</sup> / <sub>8</sub>
IR 25	63205	24 <sup>3</sup> / <sub>4</sub>	32	2 <sup>3</sup> / <sub>8</sub>

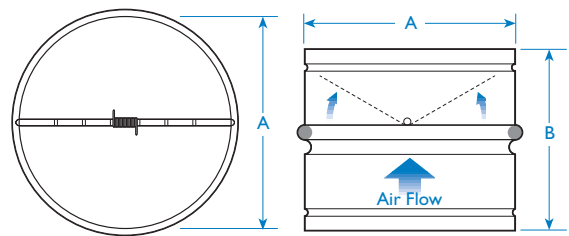
Dimensional information in inches.  
† Duct connections are 1/8" smaller than duct size.

## Backdraft Dampers

### RSK



Backdraft dampers with galvanized steel collar and lightweight aluminum damper blades. Spring loaded for positive closure.



Model	UPC#	A†	B
RSK 4	69040	4	3 <sup>1</sup> / <sub>4</sub>
RSK 5	69050	5	3 <sup>1</sup> / <sub>8</sub>
RSK 6	69060	6	3 <sup>1</sup> / <sub>8</sub>
RSK 8	69080	8	3 <sup>1</sup> / <sub>8</sub>
RSK 10	69100	10	3
RSK 12	69120	12	3
RSK 14	69140	14	6 <sup>3</sup> / <sub>8</sub>
RSK 16	69160	16	6 <sup>3</sup> / <sub>8</sub>

Dimensional information in inches.  
† Duct connections are 1/8" smaller than duct size.

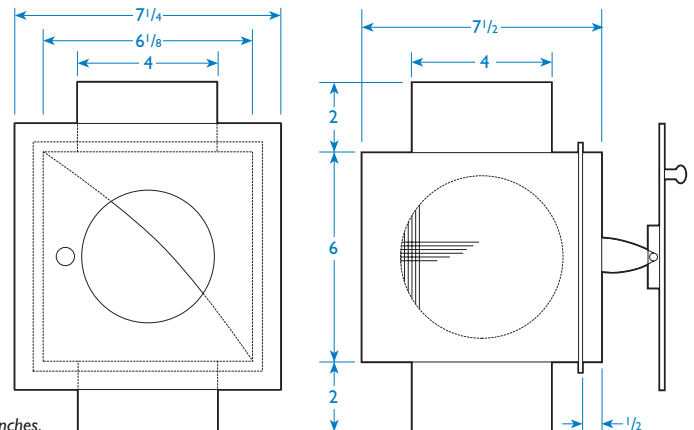
## Lint Trap for Dryer Boosting

### DBLT 4



Paintable galvanized metal lint trap for dryer boosting applications. Use when duct length between dryer and booster fan is less than 15 feet. Fits 4-inch duct. Features pull out door with view window, removable lint filter for easy cleaning and 1/2-in flange for flush mount installation.

UPC #12004



Dimensional information in inches.

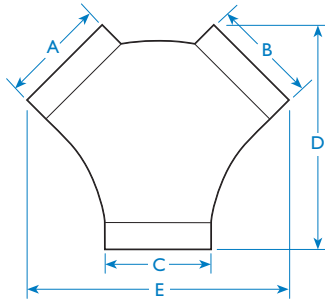
# Duct Supplies

## Sheet Metal Adapters

### FY



"Y" adapter for circular duct. Constructed of galvanized sheet metal.

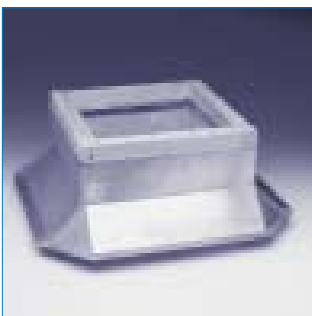


Model	UPC#	A†	B†	C†	D	E
FY 4	64040	4	4	4	10½	12½
FY 5	64050	5	5	5	11	14
FY 6	64060	6	6	6	12½	13½
FY 86	64806	6	6	8	13	16
FY 8	64080	8	8	8	10	14
FY 810	64810	8	8	10	10½	16½

Dimensional information in inches.  
† Duct connections are 1/8" smaller than duct size.

## Roof Curbs

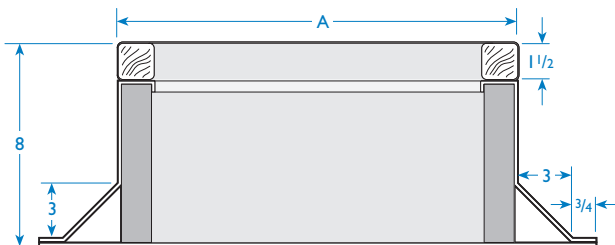
### WI/CI



Prefabricated roof curbs reduce installation time by ensuring compatibility of the fan and curb. Curbs feature a welded 18 gauge galvanized steel construction, 3-inch cant, insulation and wooden nailing rail. Standard height is 8-inches.

Model	UPC#	A	FANS
WI 1508	42158	15	REC 6
CI 18Q08	42188	18½	REC 8XL REC 10XL

Dimensional information in inches.

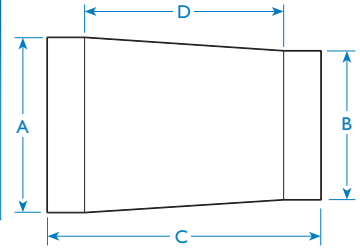


Dimensional information in inches.

### CKR



Increaser or reducer for circular duct. Constructed of galvanized sheet metal.



Model	UPC#	A†	B†	C	D
CKR 54	65054	5	4	7½	3¼
CKR 64	65064	6	4	8	4½
CKR 86	65086	8	6	7½	3¼

Dimensional information in inches.  
† Duct connections are 1/8" smaller than duct size.

## Silencers for Round Duct

### LD



Galvanized steel silencer for use in kitchen range hood ventilation and other applications where noise is a concern.

A Fantech silencer can typically reduce the "perceived" sound level of the system by more than 50%. Units feature rubber seal on inlet and outlet.

Note: The recommended connector for the LD12 is the FC12-315 (see page 9).

Model	UPC#	ø Duct†	Outside ø	Length
LD 4	79040	4	8	23 <sup>5</sup> / <sub>8</sub>
LD 5	79050	5	9	23 <sup>5</sup> / <sub>8</sub>
LD 6	79060	6	10¼	23 <sup>5</sup> / <sub>8</sub>
LD 8	79080	8	12½	23 <sup>5</sup> / <sub>8</sub>
LD 10	79100	10	14	35½
LD 12	79120	12	17¾	35½
LD 16	79160	16	25	35½

Dimensional information in inches.  
† Duct connections are 1/8" smaller than duct size.

Model	Sound Data (Suppression dB Frequency Bands Hz)						
	125	250	500	1000	2000	4000	8000
LD 4	8	14	26	34	41	45	25
LD 5	6	12	22	28	37	38	22
LD 6	5	10	18	23	33	30	19
LD 8	4	9	17	22	29	25	18
LD 10	6	11	21	27	39	25	19
LD 12	5	9	18	23	32	20	18
LD 16	5	8	11	23	19	17	15

# Duct Supplies

## Round Flexible Duct

### FIDT



Flexible round insulated duct. Available in 25-foot lengths. UL listed.

Model	UPC#	ø Duct
FIDT 4	59040	4
FIDT 5	59050	5
FIDT 6	59060	6
FIDT 8	59080	8
FIDT 10	59100	10

Dimensional information in inches.

## Clamps for Circular Duct

### CB



Plastic duct clamps. For use with flexible duct, easy to install locking slide clamps.

Model	UPC#	ø Duct
CB 34	51041	4
CB 56	51051	5 - 6
CB 810	51081	8 - 10

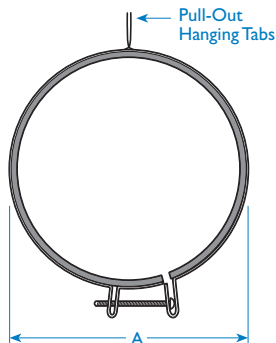
Dimensional information in inches.

### FC



Stabilizing mounting clamps. Two inch wide galvanized steel bands lined with neoprene. Can be used for suspended installation of fan. For use with rigid duct work (sold in pairs).

FC12-315 connector kit for LD12 or other European 315mm duct.



Model	UPC#	A
FC 4	51040	4
FC 5	51050	5
FC 6	51060	6
FC 8	51080	8
FC 10	51100	10
FC 12	51120	12
FC 12-315	51125	12 <sup>3</sup> / <sub>8</sub>

Dimensional information in inches.

## Inlet Guards

### IG



Wire ring inlet guards used to prevent foreign objects from entering duct line. Zinc chromate plated steel.

Model	UPC#	ø Duct
IG 4	75040	4
IG 5	75050	5
IG 6	75060	6
IG 8	75080	8
IG 10	75100	10
IG 12	75120	12

Dimensional information in inches.

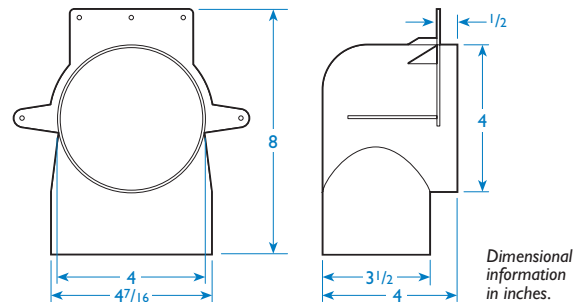
## Elbows

### FEL 4

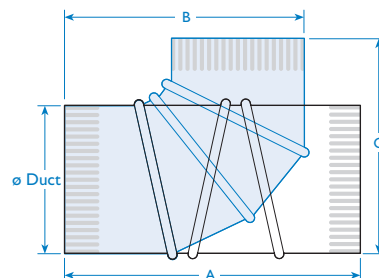


Heavy-duty plastic 90° mounting collar/elbow for use in 2 x 4 stud walls. Use with 4-inch duct. With half-inch drywall lip already set, just nail in place and connect duct. Low depth profile makes this elbow the perfect solution for sidewall ventilation within a wall partition.

UPC #64495



### FEA



Round metal elbows adjust from 0° to 90°. Ideal for installations where space is at a minimum.

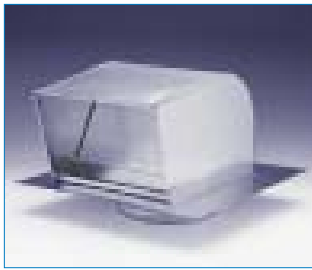
Model	UPC#	ø Duct	A	B	C
FEA 4	64490	4	8 <sup>1</sup> / <sub>2</sub>	7	7
FEA 6	64690	6	10 <sup>5</sup> / <sub>8</sub>	9 <sup>1</sup> / <sub>4</sub>	9 <sup>1</sup> / <sub>4</sub>

Dimensional information in inches.

# Exterior Vents

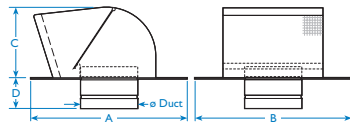
## Roof Caps

### RC



Roof Cap with damper flap closure, duct connection and screened exhaust opening.

Stainless steel or copper roof caps available by special order. Call for more information.



Model	UPC#	ø Duct†	A	B	C	D	Material
RC 4	71040	4	11 1/2	9	5 3/4	1 3/8	Aluminum
RC 5	71050	5	14	14	7	3	Galvanized Steel
RC 6	71060	6	14	14	7	3	Galvanized Steel
RC 8	71080	8	16	16	8	3	Galvanized Steel
RC 10	71100	10	22	20	10	3	Galvanized Steel
RC 12	71120	12	24	22	12	3	Galvanized Steel

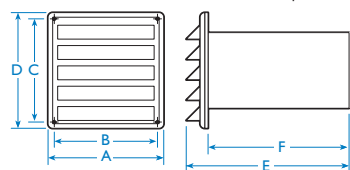
Dimensional information in inches. † Duct connections are 1/8" smaller than duct size.

## Outdoor Louvers & Weather Hoods

### COM 6P



Outdoor Louvers for 6" duct (pair). Includes one supply and one exhaust louver. White plastic.



Model	UPC#	ø Duct†	A	B	C	D	E	F
COM 6P	24045	6	9 1/8	8 1/4	8 1/4	9 1/8	12 11/16	12

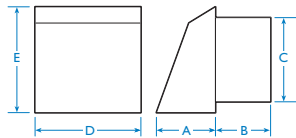
Dimensional information in inches. † Duct connections are 1/8" smaller than duct size.

### COM/FML



COM 6M – Pair of metal outdoor hoods for 6" duct. Includes one exhaust and one supply hood. Prepainted white aluminum.

FML – Models include a single prepainted aluminum hood for exhaust applications. Sizes to fit 8" to 12" duct.



Model	UPC#	ø Duct†	A	B	C	D	E
COM 6M	24125	6	4 3/4	5 3/4	6	8 3/16	8 1/8
FML 8	24118	8	5 11/16	3 5/16	8	10	10
FML 10	24120	10	7	3 5/16	10	10	10
FML 12	24122	12	8 1/2	3 5/16	12	14 1/8	14 1/8

Dimensional information in inches. † Duct connections are 1/8" smaller than duct size.

## Soffit Vent

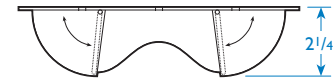
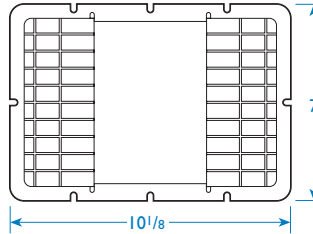
### UEV 4



Plastic soffit vent for use with 4 or 6-inch duct.

Note: Use FEA4 or FEA6 (shown on page 9) for installations where flex duct is used.

UPC #71041



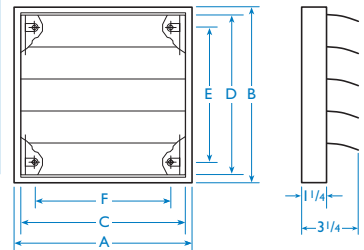
Dimensional information in inches.

## Louvered Vents

### HS



Plastic louvered shutter with duct connection.



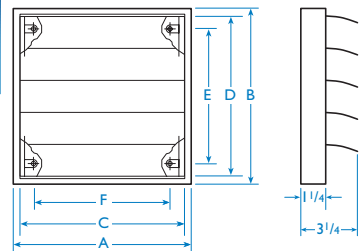
Model	UPC#	ø Duct†	A	B	C	D	E	F
HS 4W	62040	4	6	6	4 1/2	4 1/2	5 1/2	5 1/2
HS 5W	62050	5	8	8	7	7	7 3/8	7 3/8
HS 6W	62060	6	8	8	7	7	7 3/8	7 3/8

Dimensional information in inches. † Duct connections are 1/8" smaller than duct size.

### VK



Plastic louvered shutter with duct connection. Includes tab collar for duct connection.



Model	UPC#	ø Duct†	A	B	C	D	E	F
VK 25	62080	8	11 1/2	11 1/2	10 1/2	10 1/4	8 1/2	9 1/2
VK 30	62100	10	13 1/2	13 1/2	12 1/2	12	10 1/2	11 1/2
VK 35	62120	12	15 1/2	15 1/2	14 1/2	14	12 1/2	13 1/2

Dimensional information in inches. † Duct connections are 1/8" smaller than duct size.

# Range Hood Liners

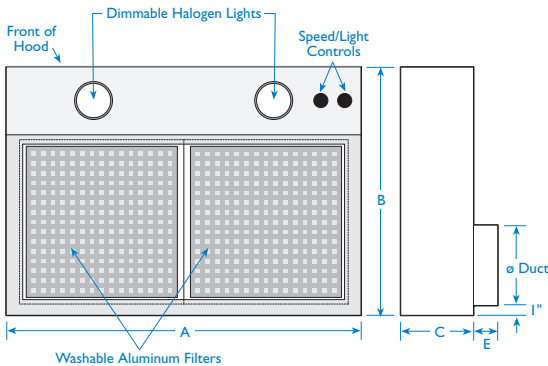
## SHL/SGHL

SHL Series range hood liners feature all stainless steel construction. SGHL liners feature stainless steel face with galvanized steel housing. Both styles have built-in infinite speed control for the fan, washable aluminum filters and dimmable halogen lights (purchase separately). SHL Series available in 36", 42" and 48" widths. SGHL Series available in 30" and 36" widths. UL approved.



Shown above: (front to back) SGHL 30, SGHL 36 and SHL 48

Shown right: Typical range hood installation using Fantech's SHL/SGHL Range Hood Liner, RSK Backdraft Damper, LD Silencer and Inline Fan. Hood Liner can also be used with exterior mounted fans. See chart for correct sizing information.



### SHL Series Dimensional Information

Model	UPC#	$\phi$ Duct†	A	B	C	E
SHL 36	47036	8	34½	22	6	3
SHL 42	47042	8	40½	22	6	3
SHL 48	47048	10	46½	22	6	3

Dimensional information in inches.

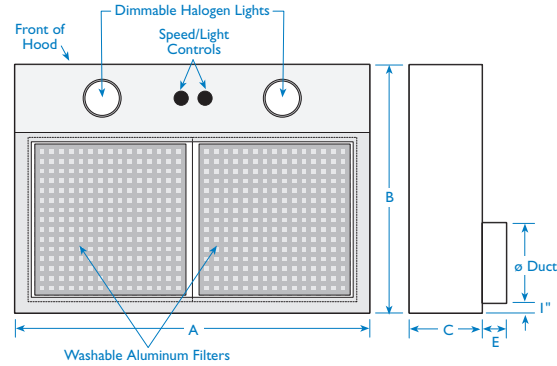
† Duct connections are 1/8" smaller than duct size.

### Recommended Fans for SHL Series

Fan Model	Use With SHL Model(s)	Location	Mounting	Airflow at 0"	Typical Airflow†
FX 8	SHL 36/42	interior	inline	481	430
FX 8xL	SHL 36/42	interior	inline	521	480
FX 10	SHL 48	interior	inline	521	470
FX 10xL	SHL 48	interior	inline	590	540
FKD 8xL	SHL 36/42	interior	inline	836	740
FKD 10	SHL 48	interior	inline	910	780
FKD 10xL	SHL 36/42/48	interior	inline	1266	1060
FKD 12xL*	SHL 48	interior	inline	2016	1460
RVF 8xL	SHL 36/42	exterior	wall	435	392
RE 8xL	SHL 36/42	exterior	roof/wall	409	356
RE 10xL	SHL 36/42/48	exterior	roof/wall	753	730

† Typical airflow is an estimate based on a system with 20' of duct, two 90° elbows, a backdraft damper, roof cap and filters.

\* Requires larger speed control. Contact Fantech Customer Service for recommendations.



### SGHL Series Dimensional Information

Model	UPC#	$\phi$ Duct†	A	B	C	E
SGHL 30	47530	6	28½	18	4	3
SGHL 36	47536	6	34½	18	4	3

Dimensional information in inches.

† Duct connections are 1/8" smaller than duct size.

### Recommended Fans for SGHL Series

Fan Model	Use With SGHL Model(s)	Location	Mounting	Airflow at 0"	Typical Airflow†
FX 6**	SGHL 30	interior	inline	257	190
FX 6xL	SGHL 30/36	interior	inline	392	275
FX 8xL	SGHL 30/36	interior	inline	521	320
FKD 8xL	SGHL 36	interior	inline	836	740
RVF 6**	SGHL 30	exterior	wall	242	200
RVF 6xL	SGHL 30/36	exterior	wall	381	330
RVF 8xL	SGHL 36	exterior	wall	435	392
RE 6**	SGHL 30	exterior	roof/wall	227	205
RE 8xL	SGHL 30/36	exterior	roof/wall	409	356
RE 10xL	SGHL 36	exterior	roof/wall	753	730

† Typical airflow is an estimate based on a system with 20' of duct, two 90° elbows, a backdraft damper, roof cap and filters.

\*\* Fans will meet most local code requirements but will produce less than Fantech's recommended ventilation rate of 100 cfm per foot of hood width.

# Index

## Supply/Exhaust Grills

<b>Combination Exhaust Grill &amp; Light</b>	
VLC64 .....	2
<b>Fixed Exhaust Grills</b>	
DG 4 .....	2
DG 6 .....	2
DGD 4 .....	2
DGD 6 .....	2
<b>Adjustable Exhaust Grills</b>	
MGDE 4 .....	3
MGDE 6 .....	3
MGE 4 .....	3
MGE 5 .....	3
MGE 6 .....	3
MGE 8 .....	3
PGDE 4 .....	3
PGDE 6 .....	3
PGE 4 .....	3
PGE 5 .....	3
PGE 6 .....	3
PGE 8 .....	3
<b>Adjustable Supply Grills</b>	
MGS 4 .....	3
MGS 5 .....	3
MGS 6 .....	3
MGS 8 .....	3

## Controls & Switches

<b>Pressure Switches</b>	
DB 10 .....	4
FPS 10 .....	4
<b>Variable Speed Controllers</b>	
RPE 10 .....	4
RPE 15 .....	4
RPE 210 .....	4
SCD 5 .....	4
SCD 7 .....	4
WC 15 .....	4
WC 15H .....	4
WC 25 .....	4
<b>Timers</b>	
FD 30M .....	5
FD 60EM .....	5
FLD 60 .....	5
RTS 2 .....	5
<b>Dehumidistat Controller</b>	
FH 20 .....	5
<b>Attic Thermostat</b>	
FAT 10 .....	5
<b>Air Screen Controllers</b>	
AS DS .....	5
ASTS .....	5

## HRV/ERV Controls

<b>Intellitek Control</b>	
EDF5 .....	6
EDF2 .....	6
<b>Air Quality Sensor</b>	
AQS 1 .....	6
<b>Dehumidistats</b>	
MDEH 1 .....	6
MDEH 2 .....	6
<b>Pressure Gauge</b>	
MPG 05 .....	6

## Duct Supplies

<b>Iris Dampers</b>	
IR 4 .....	7
IR 5 .....	7
IR 6 .....	7
IR 8 .....	7
IR 10 .....	7
IR 12 .....	7
IR 16 .....	7
IR 20 .....	7
IR 25 .....	7
<b>Backdraft Dampers</b>	
RSK 4 .....	7
RSK 5 .....	7
RSK 6 .....	7
RSK 8 .....	7
RSK 10 .....	7
RSK 12 .....	7
RSK 14 .....	7
RSK 16 .....	7
<b>Lint Trap for Dryer Boosting</b>	
DBLT 4 .....	7
<b>Sheet Metal Adapters</b>	
CKR 54 .....	8
CKR 64 .....	8
CKR 86 .....	8
FY 4 .....	8
FY 5 .....	8
FY 6 .....	8
FY 86 .....	8
FY 8 .....	8
FY 810 .....	8
<b>Silencers For Round Duct</b>	
LD 4 .....	8
LD 5 .....	8
LD 6 .....	8
LD 8 .....	8
LD 10 .....	8
LD 12 .....	8
LD 16 .....	8
<b>Roof Curbs</b>	
WI 1508 .....	8
CI 18Q08 .....	8

## Circular Duct Clamps

CB 34 .....	9
CB 56 .....	9
CB 810 .....	9

## Mounting Clamps

FC 4 .....	9
FC 5 .....	9
FC 6 .....	9
FC 8 .....	9
FC 10 .....	9
FC 12 .....	9
FC 12-315 .....	9

## Elbows

FEA 4 .....	9
FEA 6 .....	9
FEL 4 .....	9

## Round Flexible Duct

FIDT 4 .....	9
FIDT 5 .....	9
FIDT 6 .....	9
FIDT 8 .....	9
FIDT 10 .....	9

## Inlet Guards

IG 4 .....	9
IG 5 .....	9
IG 6 .....	9
IG 8 .....	9
IG 10 .....	9
IG 12 .....	9

## Exterior Vents

### Louvered Shutters

HS 4W .....	10
HS 5W .....	10
HS 6W .....	10
VK 25 .....	10
VK 30 .....	10
VK 35 .....	10

### Roof Caps

RC 4 .....	10
RC 5 .....	10
RC 6 .....	10
RC 8 .....	10
RC 10 .....	10
RC 12 .....	10

### Outdoor Hoods

COM 6P .....	10
COM 6M .....	10
FML 8 .....	10
FML 10 .....	10
FML 12 .....	10

### Soffit Vents

UEV 4 .....	10
-------------	----

## Range Hood Liners

SGHL 30 .....	11
SGHL 36 .....	11
SHL 36 .....	11
SHL 42 .....	11
SHL 48 .....	11



For more information contact:

# Fantech

web: [www.fantech.net](http://www.fantech.net)  
e-mail: [info@fantech.net](mailto:info@fantech.net)

### United States

1712 Northgate Blvd.  
Sarasota, Florida 34234  
Phone: 800-747-1762; 941-309-6000  
Fax: 800-487-9915; 941-309-6099

### Canada

50 Kanalfakt Way  
Bouctouche, NB E4S 3M5  
Phone: 800-565-3548; 506-743-9500  
Fax: 877-747-8116; 506-743-9600