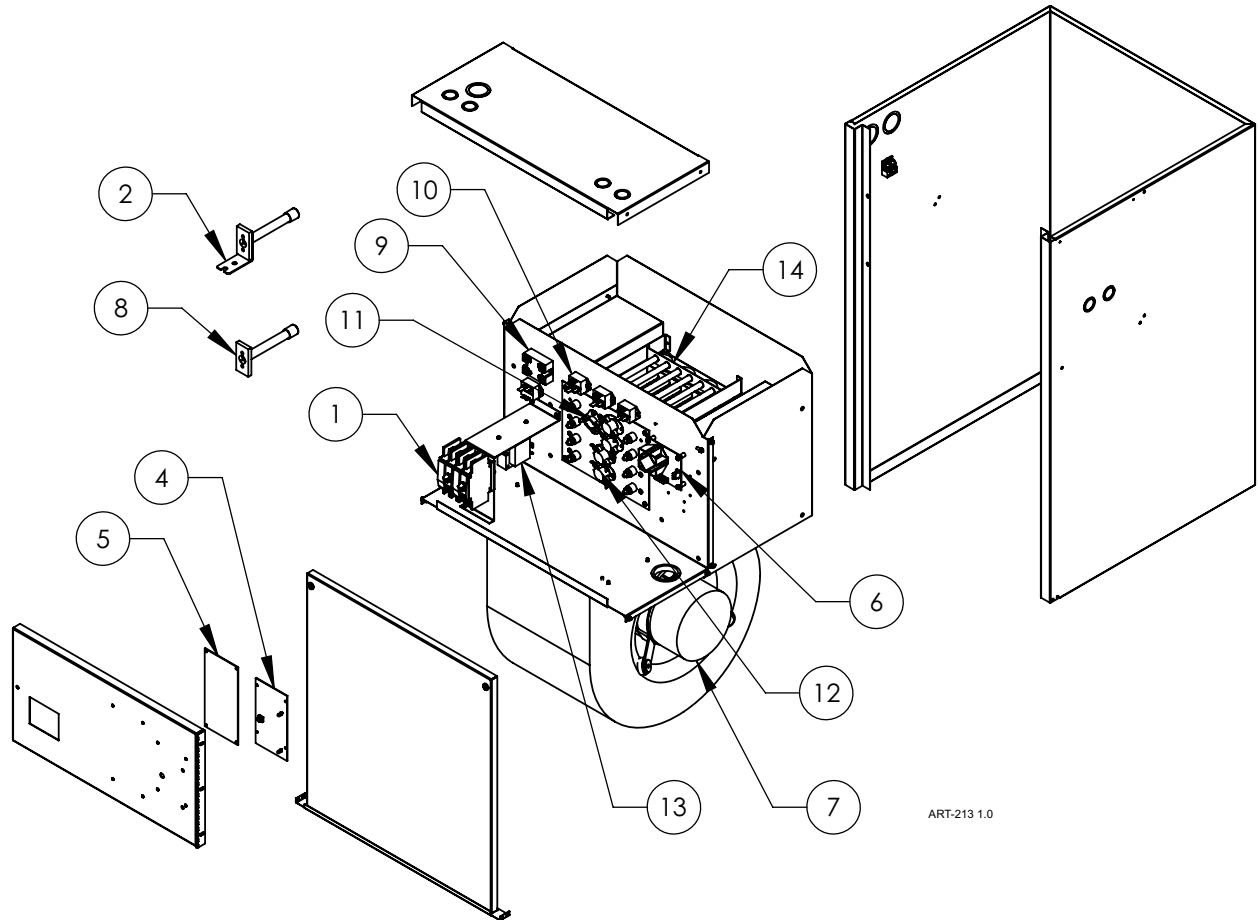


WarmFlo® Air Handler/Electric Furnace

HE-*-**-21



ART-213 1.0

| Replacement Part # | Description | |
|--------------------|-------------|--|
|--------------------|-------------|--|

HE-A-10-21

| | | |
|---|-----------|--|
| 1 | 5652 | Square D 60-Amp Circuit Breaker |
| 3 | HECBW5850 | 21" WarmFlo Relay Cable (<i>Not Shown</i>) |
| 3 | HECBW5856 | AC/DC Relay Cable (<i>Not Shown</i>) |

HE-A-15-21

| | | |
|---|-----------|--|
| 1 | 5650 | Square D 30-Amp Circuit Breaker |
| 1 | 5652 | Square D 60-Amp Circuit Breaker |
| 3 | HECBW5849 | 21" WarmFlo Relay Cable (<i>Not Shown</i>) |
| 3 | HECBW5855 | AC/DC Relay Cable (<i>Not Shown</i>) |

HE-A-20-21

| | | |
|---|-----------|--|
| 1 | 5652 | Square D 60-Amp Circuit Breaker |
| 3 | HECBW5846 | 21" WarmFlo Relay Cable (<i>Not Shown</i>) |
| 3 | HECBW5847 | AC/DC Relay Cable (<i>Not Shown</i>) |

HE-H-10-21

| | | |
|---|-----------|--|
| 1 | 5652 | Square D 60-Amp Circuit Breaker |
| 2 | WFS25F | Outdoor Sensor |
| 3 | HECBW5850 | 24" WarmFlo Relay Cable (<i>Not Shown</i>) |
| 3 | HECBW5856 | AC/DC Relay Cable (<i>Not Shown</i>) |

HE-H-15-21

| | | |
|---|-----------|--|
| 1 | 5650 | Square D 30-Amp Circuit Breaker |
| 1 | 5652 | Square D 60-Amp Circuit Breaker |
| 2 | WFS25F | Outdoor Sensor |
| 3 | HECBW5849 | 21" WarmFlo Relay Cable (<i>Not Shown</i>) |
| 3 | HECBW5855 | AC/DC Relay Cable (<i>Not Shown</i>) |

| Replacement Part # | Description | |
|--------------------|-------------|--|
|--------------------|-------------|--|

HE-H-20-21

| | | |
|---|-----------|--|
| 1 | 5652 | Square D 60-Amp Circuit Breaker |
| 2 | WFS25F | Outdoor Sensor |
| 3 | HECBW5846 | 21" WarmFlo Relay Cable (<i>Not Shown</i>) |
| 3 | HECBW5847 | AC/DC Relay Cable (<i>Not Shown</i>) |

Common Parts for the HE-*-**-21

| | | |
|----|---------------|--|
| 4 | WF2EM | WarmFlo Control Board |
| 4a | UIC9266 R-080 | Microchip v. 2.3* (Specify Code – AH, AHS) |
| 5 | HEIBG6707 | ECM Motor Control Board |
| 6 | WFPDC5632 | AC/DC Power Supply Board |
| 7 | 5850 | ½ HP ECM Motor |
| 8 | WFS5F | Supply Sensor |
| 9 | 4038KIT | 50-Amp Triac Kit |
| 10 | 5127 | 25-Amp DC Relay |
| 11 | 5636 | 135° High Limit |
| 12 | 6630 | 150° High Limit |
| 13 | 5541 | 40VA Transformer with Pigtails |
| 14 | 6615 | 4.8 kW Element – 10" |
| 15 | HECBW5843 | Motor Power Cable (<i>Not Shown</i>) |
| 16 | HECBW5844 | Motor Control Cable (<i>Not Shown</i>) |
| 17 | HECBW5845 | Interface Cable (<i>Not Shown</i>) |