

Submittal Data Sheet - Mini-Boiler™

PROJECT INFORMATION

Job Name: _____ Part No. Ordered: _____
 Location: _____ PO Number: _____

 Engineer: _____ Date Submitted: _____
 Contractor: _____
 Mfg. Rep: _____

STANDARD EQUIPMENT

- Controls and control wiring terminals
- LED indicator lights
- DC Power Relays
- Hi-limits: 1st - automatic reset
2nd - manual reset
- Circulator switching relay - 10-amp maximum
- Thermostat or end switch connection (R and W)
- Load management control provisions
- Heavy duty sheet metal enclosure
- 1 gl. steel vessel ASME "H" Stamp (20-year warranty)
- Supply pressure/temperature gauge
- Safety relief valve (30 PSI)
- Heating elements (20-year warranty)
- 2-year parts warranty
- Supply water sensing
- Temperature range 90° F to 160° F
- ASME/CSA listings
- Made in the USA

WATER FLOW REQUIREMENTS

Model	Water Temperature Rise											
	Flow - 10° F/6° C		Head Loss		Flow - 20° F/11° C		Head Loss		Flow - 30° F/16° C		Head Loss	
	gpm	lpm	ft	m	gpm	lpm	ft	m	gpm	lpm	ft	m
EMB-S-1	.75	2.83	.01	.003	.37	1.39	.003	.001	.25	1.89	.003	.001
EMB-S-2	1.7	6.43	.01	.006	.85	3.21	.02	.006	.56	2.11	.004	.001
EMB-S-4	3.41	12.88	.08	.024	1.70	6.42	.04	.012	1.13	4.27	.02	.006
EMB-S-5	3.07	11.60	.06	.018	1.53	5.78	.02	.006	1.02	3.85	.02	.006
EMB-S-7	4.78	18.06	.12	.036	2.39	9.03	.06	.01	1.59	6.01	.02	.006
EMB-S-9	6.14	23.20	.23	.07	3.07	11.60	.10	.03	2.04	7.71	.06	.018

Note: Head Loss based on 110° F return temperature.

ELECTRIC SUPPLY

Model	Volts	Watts	Amps	kW	Phase	Btu/h	CB
EMB-S-1	120	1,100	9.17	1.1	1-60	3,754	N/A
EMB-S-2	120	2,500	20.83	2.5	1-60	8,532	N/A
EMB-S-4	120	5,000	41.67	5	1-60	17,065	N/A
EMB-S-5	240	4,500	18.75	4.5	1-60	15,358	30A
EMB-S-7	240	7,000	29.17	7	1-60	23,891	45A
EMB-S-9	240	9,000	37.5	9	1-60	30,717	60A

CLEARANCES

	MINIMUM CLEARANCE FROM COMBUSTIBLE SURFACES		SUGGESTED MINIMUM SERVICE CLEARANCE	
	0 INCH	0 MM	0 INCH	0 MM
BACK	0 INCH	0 MM	0 INCH	0 MM
LEFT	1 INCH	25 MM	6 INCHES	152 MM
RIGHT	1 INCH	25 MM	6 INCHES	152 MM
FRONT	1 INCH	25 MM	24 INCHES	610 MM
TOP	1 INCH	25 MM	24 INCHES	610 MM
BOTTOM	REQUIRED CLEARANCE - 18 INCHES/450 MM			



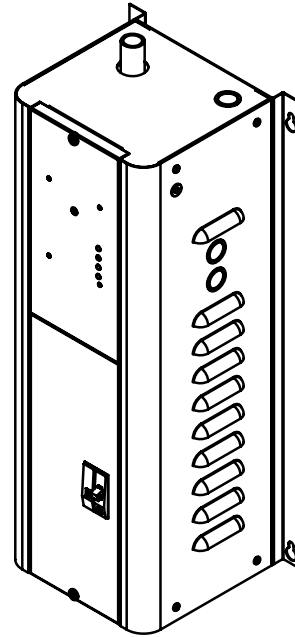
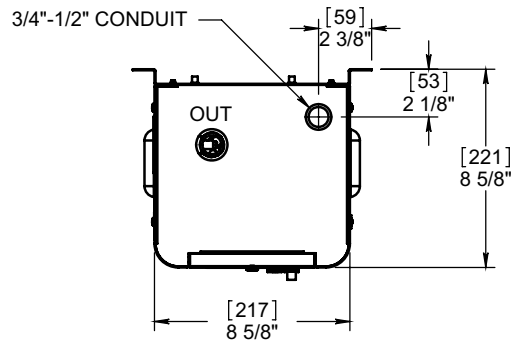
Specifications subject to change without notice, all rights reserved.



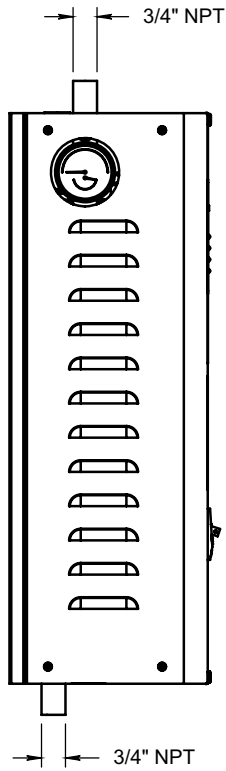
ELECTRO INDUSTRIES, INC.
 2150 West River Street, PO Box 538, Monticello, MN 55362
 763.295.4138 • 800.922.4138 • fax 763.295.4434
 sales@electromn.com • www.electromn.com

MINI-BOILER, EMB-S-*

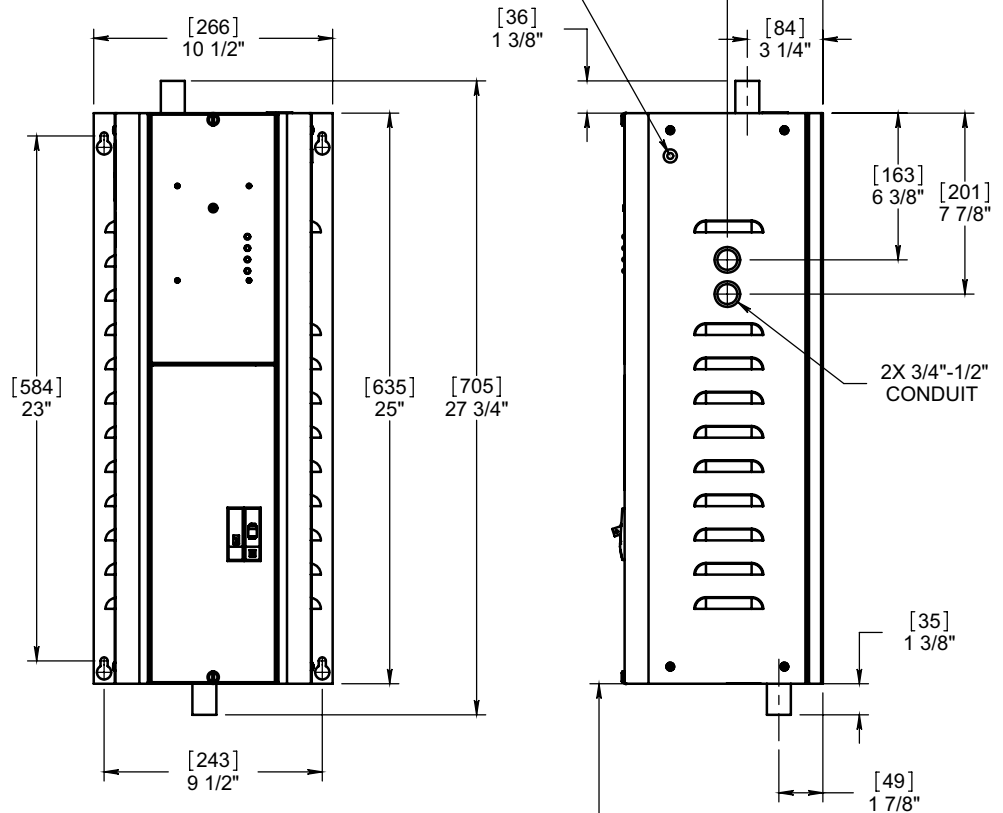
Hydronic Boilers
 Submittal Data



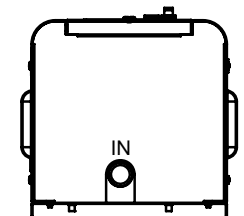
MOUNT THIS END UP



3/8" THERMOSTAT WIRE OPENING



[457] MINIMUM CLEARANCE FROM FLOOR
 18"



DIMENSIONS ARE:
 [mm]
 IN