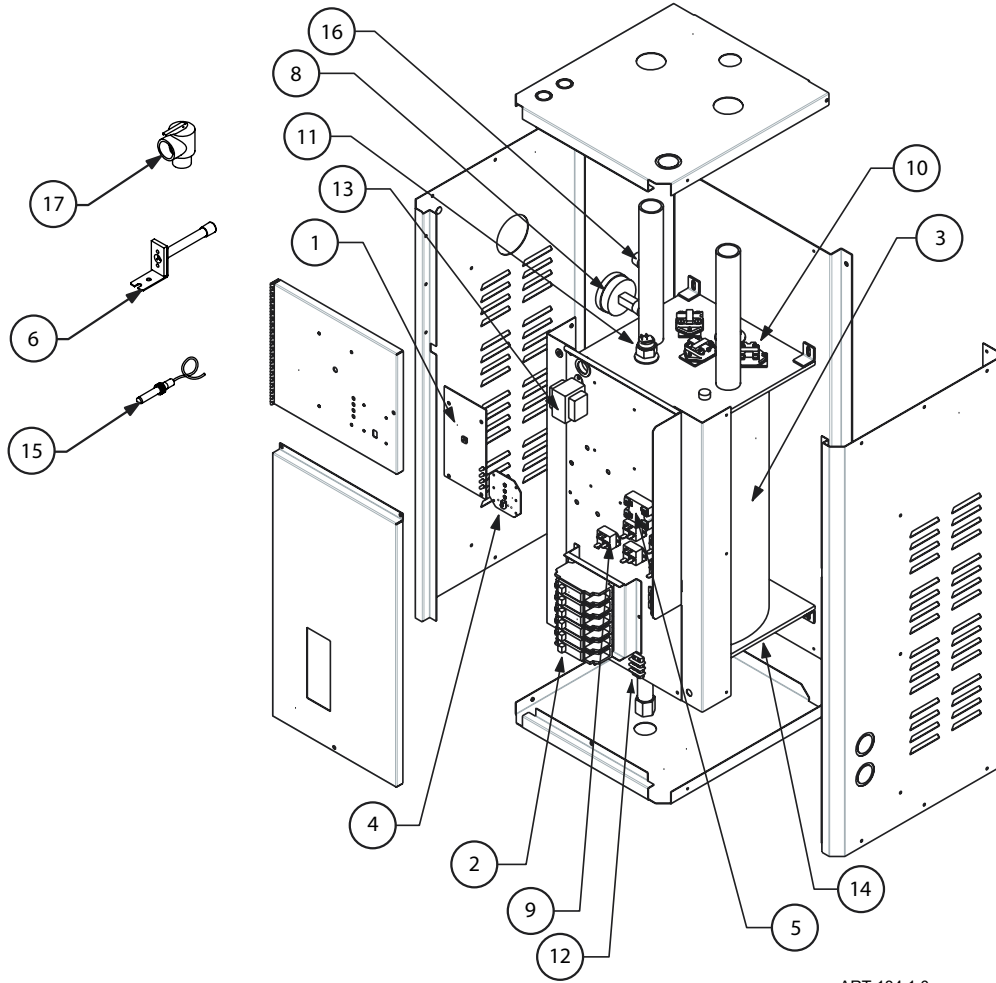


TS Standard Electro-Boiler™

EB-S-** and EB-W*-** Series



ART-184 1.0

Replacement Part #	Description	
EB-S-13		
1	EB5623S	Control Board
1a	UIC9266 R-105	Microchip v. 5.3* (Specify Code – EBS)
2	5639	GE 30-Amp Circuit Breaker
2	5640	GE 60-Amp Circuit Breaker
2	5650	Square D 30-Amp Circuit Breaker
2	5652	Square D 60-Amp Circuit Breaker
3	EBVS13	13 kW Vessel Assembly
7	EBCBW5420	Wiring Harness (<i>Not Shown</i>)

EB-S-18		
1	EB5623S	Control Board
1a	UIC9266 R-105	Microchip v. 5.3* (Specify Code - EBS)
2	5640	GE 60-Amp Circuit Breaker
2	5652	Square D 60-Amp Circuit Breaker
3	EBVS18	18 kW Vessel Assembly
7	EBCBW5419	Wiring Harness (<i>Not Shown</i>)

Replacement Part #	Description	
EB-S-23		
1	EB5623S	Control Board
1a	UIC9266 R-105	Microchip v. 5.3* (Specify Code – EBS)
2	5639	GE 30-Amp Circuit Breaker
2	5640	GE 60-Amp Circuit Breaker
2	5650	Square D 30-Amp Circuit Breaker
2	5652	Square D 60-Amp Circuit Breaker
3	EBVS23	23 kW Vessel Assembly
7	EBCBW5418	Wiring Harness (<i>Not Shown</i>)

EB-S-27		
1	EB5623S	Control Board
1a	UIC9266 R-105	Microchip v. 5.3* (Specify Code - EBS)
2	5640	GE 60-Amp Circuit Breaker
2	5652	Square D 60-Amp Circuit Breaker
3	EBVS27	27 kW Vessel Assembly
7	EBCBW5417	Wiring Harness (<i>Not Shown</i>)

(PARTS LIST CONTINUED ON NEXT PAGE)

TS Standard Electro-Boiler™

EB-S-**-** and EB-W*-**-** Series

Replacement Part #		Description
EB-WA-13		
1	EB5623WA	Control Board
1a	UIC9266 R-086	Microchip v. 6.2* (Specify Code – WA)
2	5639	GE 30-Amp Circuit Breaker
2	5640	GE 60-Amp Circuit Breaker
2	5650	Square D 30-Amp Circuit Breaker
2	5652	Square D 60-Amp Circuit Breaker
3	EBVS13	13 kW Vessel Assembly
4	@EBTSW5627	Standby Switch Board
5	4038KIT	50-Amp DC Triac Kit
7	EBCBW5424	Wiring Harness (<i>Not Shown</i>)

Replacement Part #		Description
EB-WA-18		
1	EB5623WA	Control Board
1a	UIC9266 R-086	Microchip v. 6.2* (Specify Code - WA)
2	5640	GE 60-Amp Circuit Breaker
2	5652	Square D 60-Amp Circuit Breaker
3	EBVS18	18 kW Vessel Assembly
4	@EBTSW5627	Standby Switch Board
5	4038KIT	50-Amp DC Triac Kit
7	EBCBW5423	Wiring Harness (<i>Not Shown</i>)

Replacement Part #		Description
EB-WA-23		
1	EB5623WA	Control Board
1a	UIC9266 R-086	Microchip v. 6.2* (Specify Code – WA)
2	5639	GE 30-Amp Circuit Breaker
2	5640	GE 60-Amp Circuit Breaker
2	5650	Square D 30-Amp Circuit Breaker
2	5652	Square D 60-Amp Circuit Breaker
3	EBVS23	23 kW Vessel Assembly
4	@EBTSW5627	Standby Switch Board
5	4038KIT	50-Amp DC Triac Kit
7	EBCBW5422	Wiring Harness (<i>Not Shown</i>)

Replacement Part #		Description
EB-WA-27		
1	EB5623WA	Control Board
1a	UIC9266 R-086	Microchip v. 6.2* (Specify Code - WA)
2	5640	GE 60-Amp Circuit Breaker
2	5652	Square D 60-Amp Circuit Breaker
3	EBVS27	27 kW Vessel Assembly
4	@EBTSW5627	Standby Switch Board
5	4038KIT	50-Amp DC Triac Kit
7	EBCBW5421	Wiring Harness (<i>Not Shown</i>)

Replacement Part #		Description
EB-WO-13		
1	EB5623WO	Control Board
1a	UIC9266 R-086	Microchip v. 6.2* (Specify Code – WO)
2	5639	GE 30-Amp Circuit Breaker
2	5640	GE 60-Amp Circuit Breaker
2	5650	Square D 30-Amp Circuit Breaker
2	5652	Square D 60-Amp Circuit Breaker
3	EBVS13	13 kW Vessel Assembly
4	@EBTSW5627	Standby Switch Board
5	4038KIT	50-Amp DC Triac Kit
6	WFS25F	Outdoor Sensor
7	EBCBW5424	Wiring Harness (<i>Not Shown</i>)

Replacement Part #		Description
EB-WO-18		
1	EB5623WO	Control Board
1a	UIC9266 R-086	Microchip v. 6.2* (Specify Code - WO)
2	5640	GE 60-Amp Circuit Breaker
2	5652	Square D 60-Amp Circuit Breaker
3	EBVS18	18 kW Vessel Assembly
4	@EBTSW5627	Standby Switch Board
5	4038KIT	50-Amp DC Triac Kit
6	WFS25F	Outdoor Sensor
7	EBCBW5423	Wiring Harness (<i>Not Shown</i>)

Replacement Part #		Description
EB-WO-23		
1	EB5623WO	Control Board
1a	UIC9266 R-086	Microchip v. 6.2* (Specify Code – WO)
2	5639	GE 30-Amp Circuit Breaker
2	5640	GE 60-Amp Circuit Breaker
2	5650	Square D 30-Amp Circuit Breaker
2	5652	Square D 60-Amp Circuit Breaker
3	EBVS23	23 kW Vessel Assembly
4	@EBTSW5627	Standby Switch Board
5	4038KIT	50-Amp DC Triac Kit
6	WFS25F	Outdoor Sensor
7	EBCBW5422	Wiring Harness (<i>Not Shown</i>)

Replacement Part #		Description
EB-WO-27		
1	EB5623WO	Control Board
1a	UIC9266 R-086	Microchip v. 6.2* (Specify Code - WO)
2	5640	GE 60-Amp Circuit Breaker
2	5652	Square D 60-Amp Circuit Breaker
3	EBVS27	27 kW Vessel Assembly
4	@EBTSW5627	Standby Switch Board
5	4038KIT	50-Amp DC Triac Kit
6	WFS25F	Outdoor Sensor
7	EBCBW5421	Wiring Harness (<i>Not Shown</i>)

Common Parts for the EB-S-**-** and EB-W*-**-** Series		
8	5456A	Pressure / Temperature Gauge
9	5127	25-Amp DC Relay
10	5535	205° Manual Reset Limit
11	5537	190° Auto Reset Limit
12	2232	Pump Terminal Block
13	5541	40VA Transformer with Pigtails
14	EB5520	4.5 kW Element with Gasket
15	WFSB	Supply Sensor
16	5533	Sensor Well
17	5453	30 psi Relief Valve
18	XEL7800	¾" Pipe Elbow (<i>Not Shown</i>)
19	XNPL7775	¾" x 12" Pipe Nipple (<i>Not Shown</i>)
20	XCPL7075	¾" Pipe Coupling (<i>Not Shown</i>)
21	UFUSE0440	2-Amp Fast Blow Fuse (<i>Not Shown</i>)