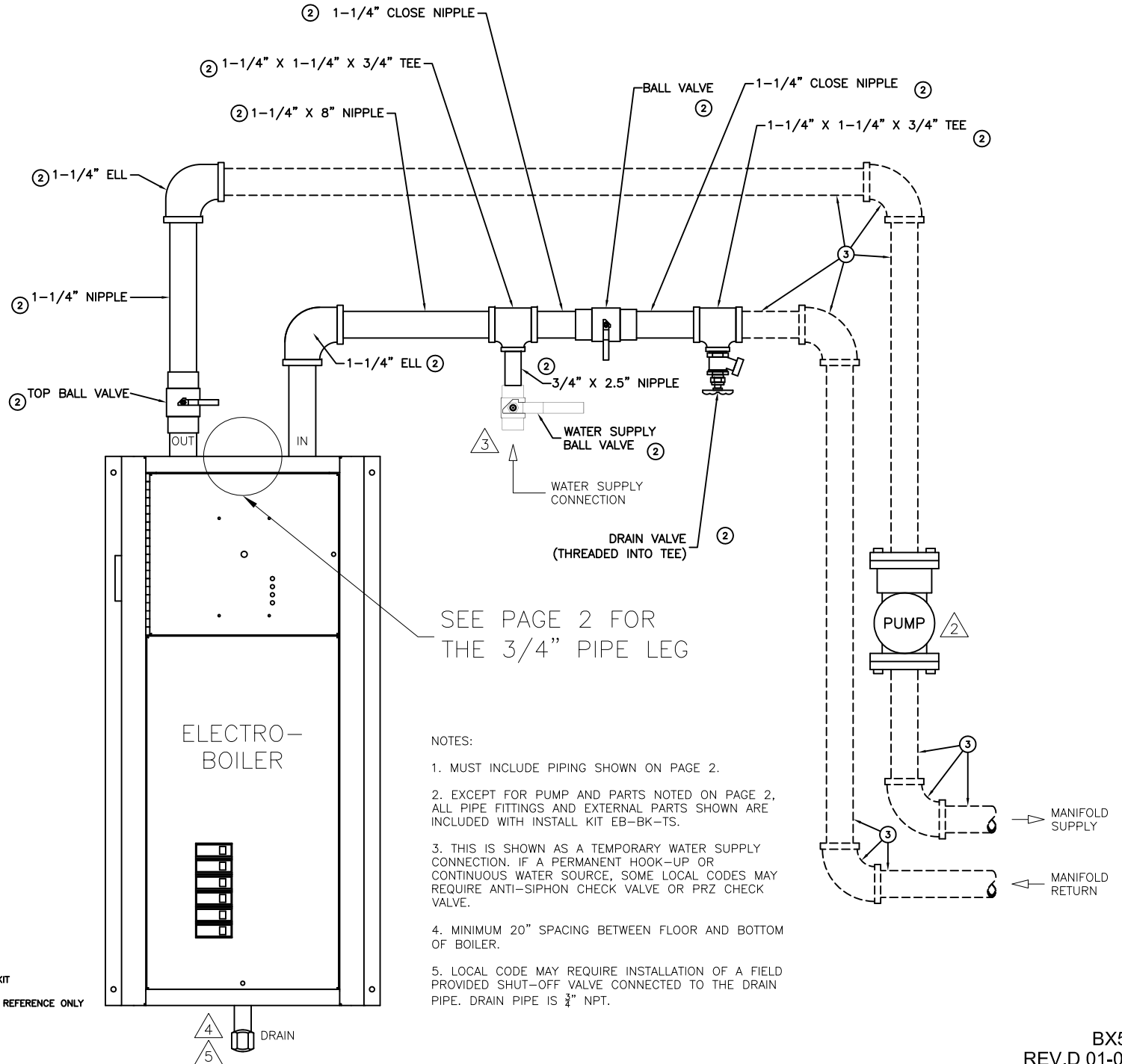
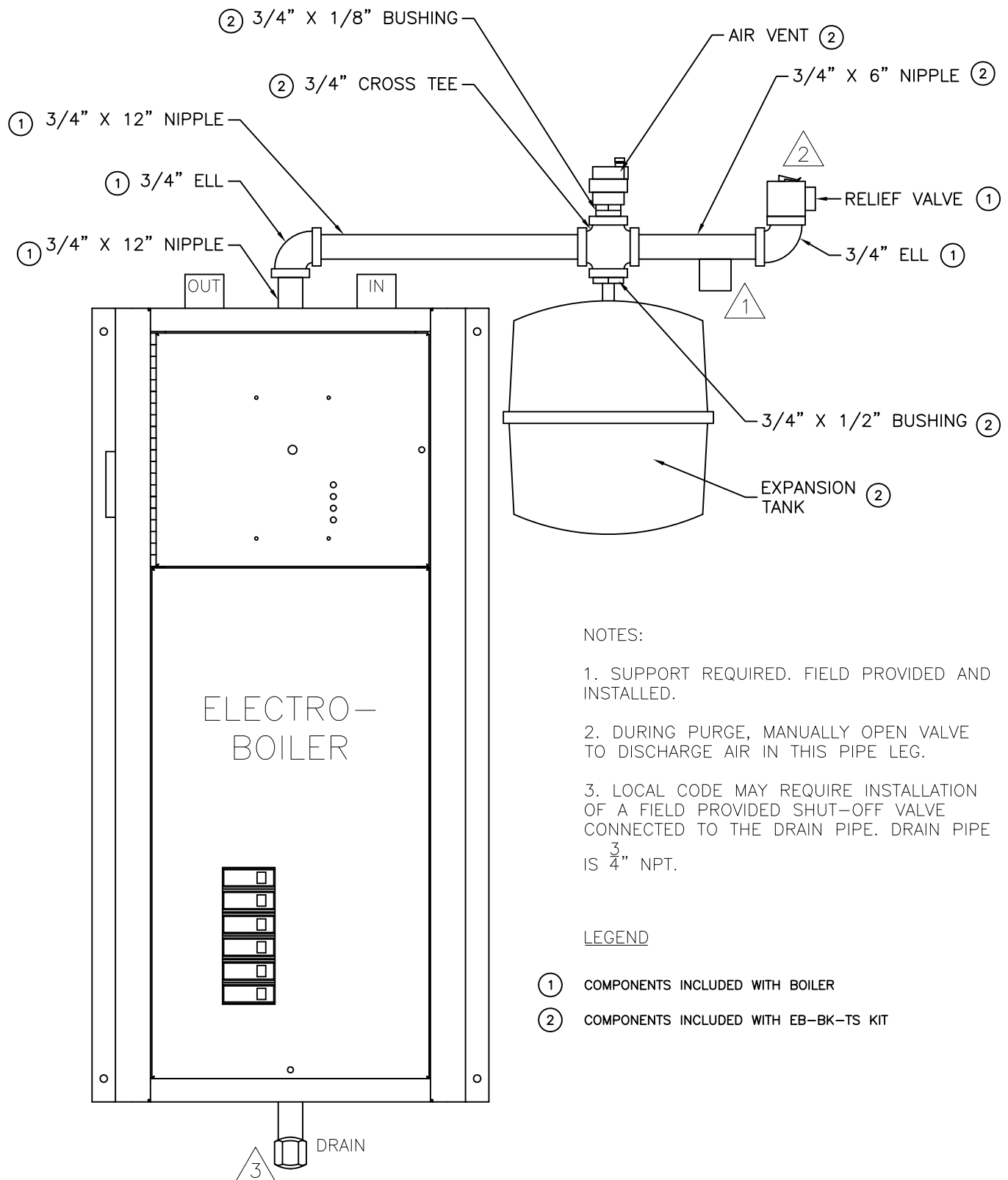


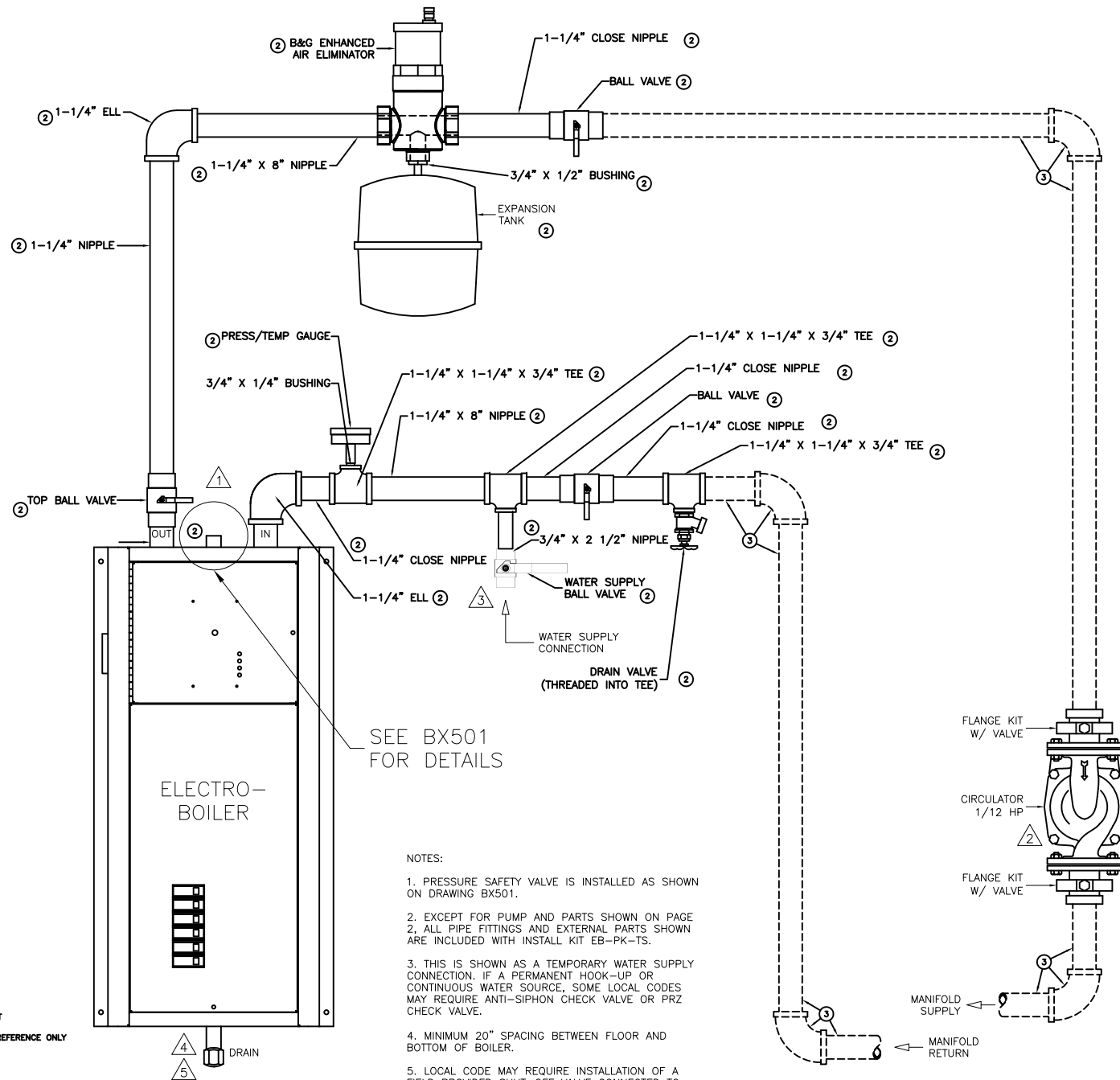
"BASIC" MECHANICAL PIPING DIAGRAM - EB-BK-TS "TS SERIES" (ALSO PAGE 2)



"BASIC" MECHANICAL PIPING DIAGRAM - EB-BK-TS "TS SERIES"



"PREFERRED" MECHANICAL PIPING DIAGRAM - EB-PK-TS "TS SERIES"



- LEGEND**
- ① COMPONENTS INCLUDED WITH BOILER
 - ② COMPONENTS INCLUDED WITH EB-PK-TS KIT
 - ③ COMPONENTS NOT INCLUDED, SHOWN FOR REFERENCE ONLY

- NOTES:**
1. PRESSURE SAFETY VALVE IS INSTALLED AS SHOWN ON DRAWING BX501.
 2. EXCEPT FOR PUMP AND PARTS SHOWN ON PAGE 2, ALL PIPE FITTINGS AND EXTERNAL PARTS SHOWN ARE INCLUDED WITH INSTALL KIT EB-PK-TS.
 3. THIS IS SHOWN AS A TEMPORARY WATER SUPPLY CONNECTION. IF A PERMANENT HOOK-UP OR CONTINUOUS WATER SOURCE, SOME LOCAL CODES MAY REQUIRE ANTI-SIPHON CHECK VALVE OR PRZ CHECK VALVE.
 4. MINIMUM 20" SPACING BETWEEN FLOOR AND BOTTOM OF BOILER.
 5. LOCAL CODE MAY REQUIRE INSTALLATION OF A FIELD PROVIDED SHUT-OFF VALVE CONNECTED TO THE DRAIN PIPE. DRAIN PIPE IS 3/4" NPT.