



EB-86U Pressure Regulators

Cash Acme's EB-86 Series is a group of compact pressure reducing and regulating valves designed for installations where small size and economy are important considerations.

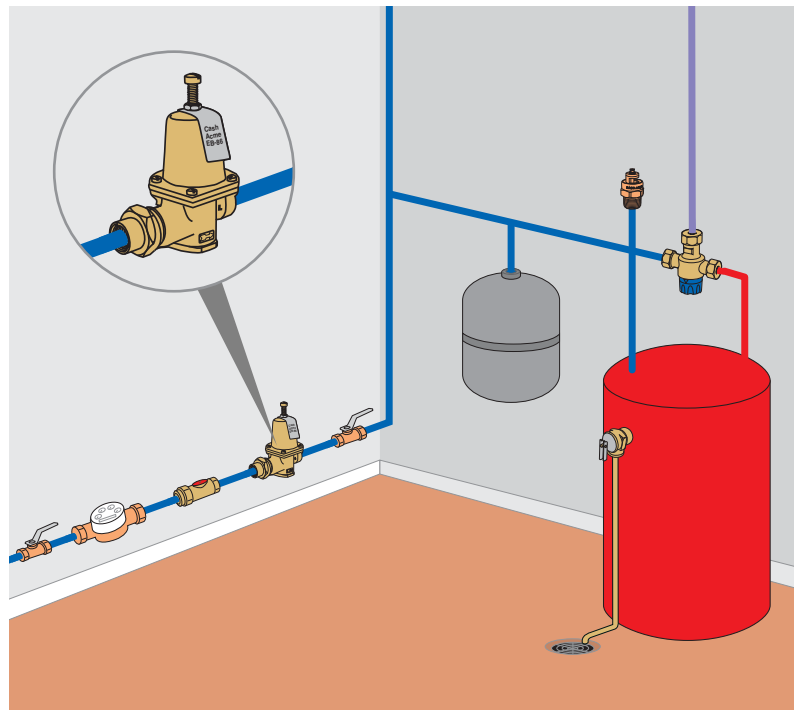
The Cash Acme EB-86U Series is intended for use where supply line pressure does not exceed 400 psi ($\frac{1}{2}$ " - 1") or 300 psi (1-1/2" - 2"). This regulator series is suitable for either cold or hot (to 180° F) water service.

- Compact pressure reducing and regulating valves: *Designed for small size and economic considerations.*
- Every valve is tested for performance prior to shipping: *Specify and install with confidence!*
- Listed by IAPMO, ASSE and CSA: *Inspector friendly, peace of mind.*
- Rugged, bronze, robust body: *Superior reliability, improved user safety*

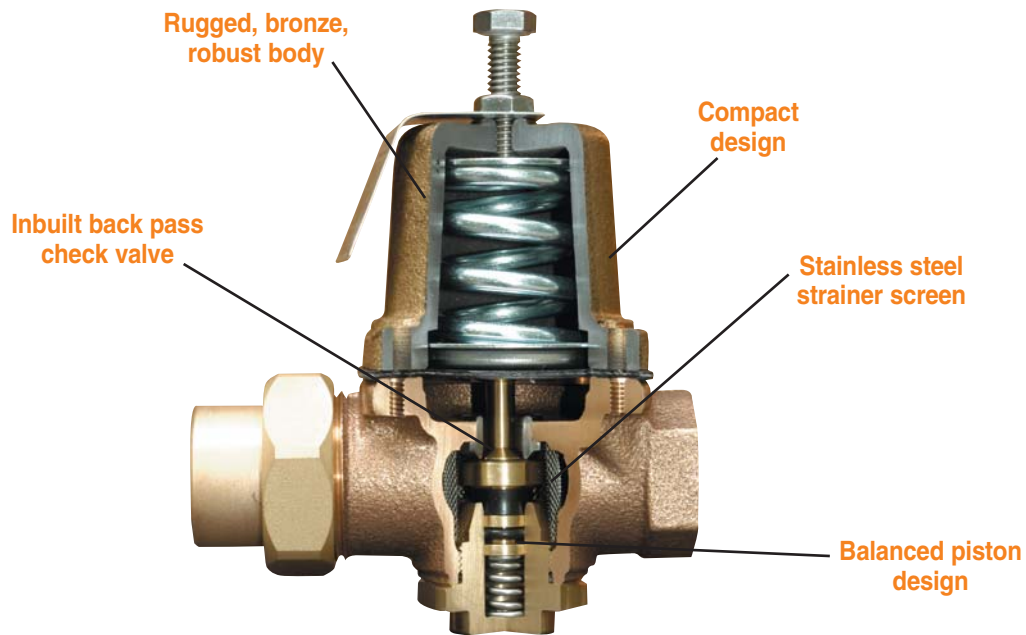


TYPICAL INSTALLATION

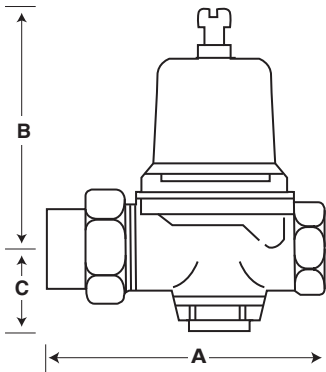
The **Cash Acme EB-86U** pressure regulators should be installed in the horizontal position with the spring chamber upright. For other installation requirements, consult the factory.



EB-86U Pressure Regulators



MODELS/SIZES



Dimensions	A	B	C
1/2" Threaded	3-5/32"	3-31/32"	1-13/32"
3/4" Threaded	3-7/16"	3-13/16"	1-9/16"
1" Threaded	4"	4-3/8"	1-13/32"
1-1/4" Threaded		6-7/8"	2"
1-1/2" Threaded		8-1/2"	2-13/16"
2" Threaded		10-11/16"	2-5/8"

CONNECTIONS

Threaded (NPT) 1/2", 3/4", 1", 1-1/4", 1-1/2" and 2"

CERTIFICATIONS

The **Cash Acme EB-86 Pressure Regulator** is design certified to product standards **ASSE 1003** and **CSA B356**.
The **Cash Acme EB-86 Pressure Regulator** is listed by **ASSE, CSA** and **IAPMO**.