

A-89 and A-43CRF Pressure Reducing Boiler Feed Valves

DESCRIPTION

The Cash Acme A-89 Series is a highly competitive Boiler Feed Valve that automatically and accurately reduces system pressure to 14 psi.

These innovatively designed A-89 Valves feature a balanced piston construction for closer outlet control regardless of fluctuations in inlet pressure. A rapid fill feature incorporates a larger seat for higher capacity, and an improved back-check device ensures greater water system protection.

The **Cash Acme A-89** has threaded ends; the **A-89C** features a sweat copper union inlet. Both valves feature bronze bodies and inbuilt strainer screens. Standard reducing pressure setting is 14 psi with an adjustment range from 2 to 30 psi. Maximum inlet pressure is 200 psi. The **Cash Acme A-89** is available in a 1/2" size only.

The **Cash Acme A-43CRF** is an economical boiler feed valve that automatically reduces system water pressure to 14 psi and holds it there for trouble free heating service.

It is available with a bronze body, inbuilt strainer, sweat copper union inlet and features an inbuilt check valve to retard reverse flow of boiler water.

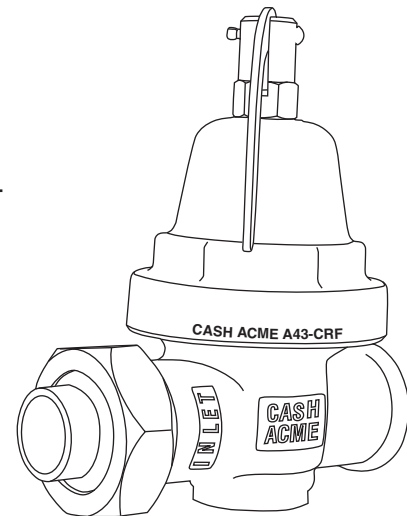
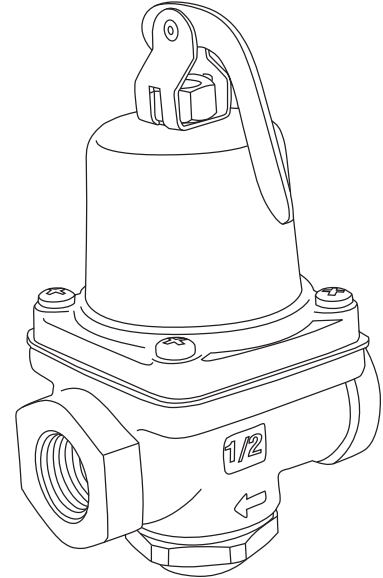
The **Cash Acme A-43CRF** incorporates a unique rapid fill device which is basically a time saving feature. When in use, it allows the fast filling and purging of a hydronic system. And since the water flow is passing directly through the valve and into the system, there is always the protection of the built in strainer.

FEATURES AND BENEFITS

A-43CRF contains an inbuilt check valve:
Retards reverse flow of boiler water.

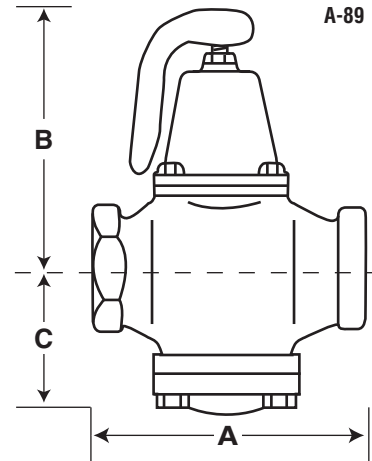
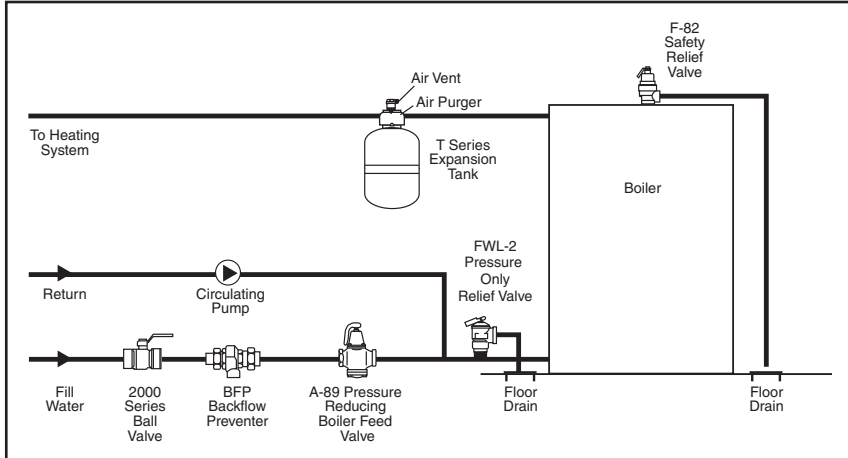
Economical and easy to install:
Saves money and time!

Every valve is tested for performance prior to shipping:
Specify and install with confidence!



A-89 and A-43CRF Pressure Reducing Boiler Feed Valves

TYPICAL INSTALLATION



Dimensions	A	B	C
A-89	3-7/16"	4-3/16"	1-13/32"
A-89C	4-1/8"	4-3/16"	1-13/32"
A-43CRF	3-5/8"	3-5/8"	3/4"

SPECIFICATION DATA

Performance:

Outlet pressure range 2-30 psi (Factory set 14 psi)
 Maximum inlet pressure 200 psi
 Service Water

Materials:

Body Bronze
 Strainer Stainless steel
 Seat Stainless steel
 Seat Disc EP
 Diaphragm EP and Nylon
 Spring Chamber A-89: Iron, A-43CRF: Aluminum
 Piston Brass
 O-Ring EP
 Bottom Plug Brass

CONNECTIONS

Sweat Copper Union 1/2"
 Threaded (NPT) 1/2"