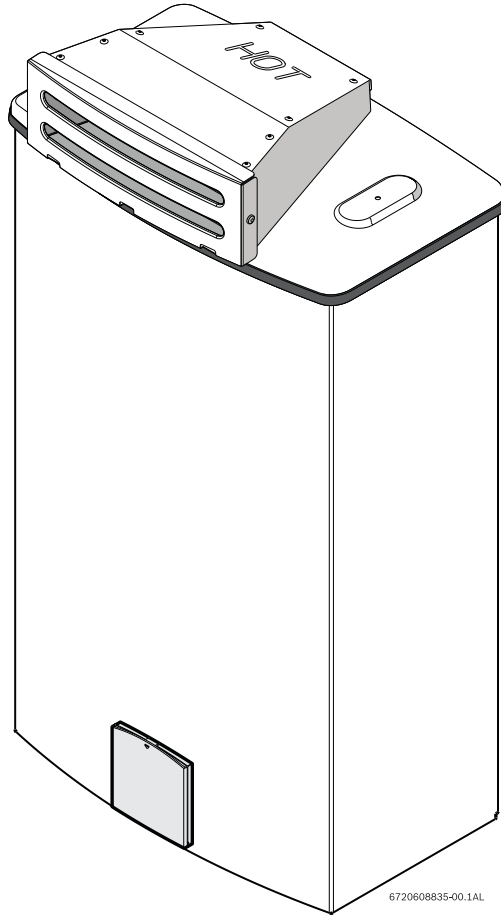




Aquastar Tankless Water Heater

For Aquastar models: 2400 ES, 2700 ES

Part no. AQOK



6720608835-00.1AL

Warning: This kit must be installed by a qualified installer in accordance with these instructions and all applicable codes and requirements of the authorities having jurisdiction.



1 Warning



Danger: The top of the outdoor kit will get very hot during operation. Keep away from children. Install heater in a location where the top of the kit cannot be reached by small children.



Danger: Flue gas will be released through the outdoor kit. Flue gas is very hot and contains carbon monoxide. The outdoor kit cannot be installed on a water heater mounted indoors. To prevent risk of fire and carbon monoxide poisoning, maintain all clearances indicated in these instructions.



Danger: Do not place or store any combustible material within 5 feet of the appliance. Maintain specified clearance to combustibles on the wall where the appliance is installed and any adjacent walls or overhang. Observe all clearances required in this manual.



Danger: Surface temperature of the kit is less than 140°F, except highest top surface which may reach 300°F.



Warning: Do not mount water heater directly onto vinyl siding, see Fig. 9.



Danger: the freeze prevention kit on the appliance is designed to provide protection from temperatures down to approximately 5°F for short term conditions only. **It will not protect the appliance in areas where the temperature is routinely expected to be below freezing.** The freeze prevention kit will not protect plumbing outside the appliance from freezing. Precautions must be taken:

- ▶ Always drain the water heater if it will be exposed to long term freezing conditions.



Danger: the water in this appliance is cold and always remains cold except for the times when the burner is on. In the event of power outage in conjunction with freezing temperatures, it is recommended that the heater be drained.



Warning: Damage to the appliance from freezing is not covered under the manufacturer's warranty.

This outdoor kit includes:

- Supports (2) with screws
- Sealing gasket
- Control panel shield
- Outdoor vent cap.

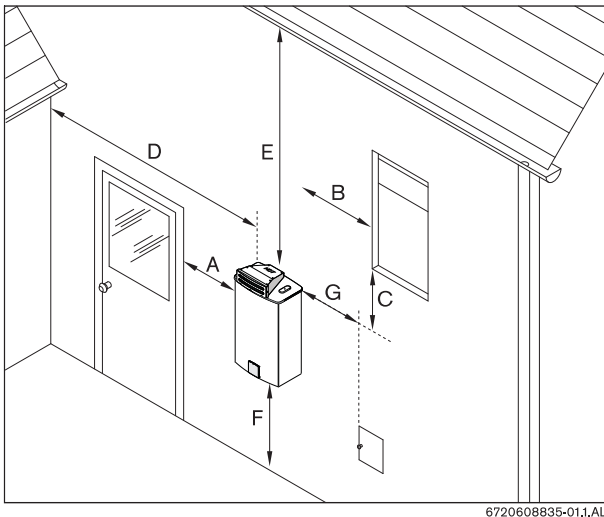
2 Selecting heater location

Before proceeding, read the water heater installation manual. If the information in that manual is not followed exactly, a fire, explosion or poisoning by carbon monoxide may result causing property damage, personal injury or death.

- ▶ Choose an outside wall for the installation. Installation on a wall protected by an overhang above is recommended.
- ▶ Size the water and gas connections according to the instructions in the water heater installation manual. Use unions when connecting both water lines and gas supply line to the heater.

Minimum clearances

If the appliance is installed under an overhang, there must be a 36" clearance from the top of the appliance and the mounting area must be open in front and on the sides of the appliance.



Best practice note: The clearances in Fig. 1 and table 1 are the minimum allowed by the standard. When possible consider maximizing the clearances A, B and C to allow for the effects of wind and frequently used door and window openings.

Fig. 1

Ref.	Description	Min. distances
A	Directly below or adjacent to an opening; operable windows, doors and any fresh air openings	≥ 1 ft
B		
C		
D	From any adjacent wall	≥ 4 ft
E	Below a gutter, sanitary pipework, eaves or overhang	≥ 3 ft
F	Above ground	≥ 1 ft
G	From a gas meter or gas regulator	≥ 5 ft

Table 1 Clearances

3 Installing outdoor kit

Replace the control panel shield

- ▶ Loosen the two Philips head screws located on bottom rear of cover (see Fig. 2).

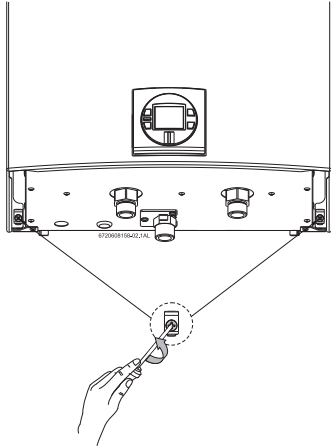


Fig. 2 Loosen the two screws

- ▶ Remove the front cover panel and replace the original control panel shield with shield provided in the kit, see Fig. 3.

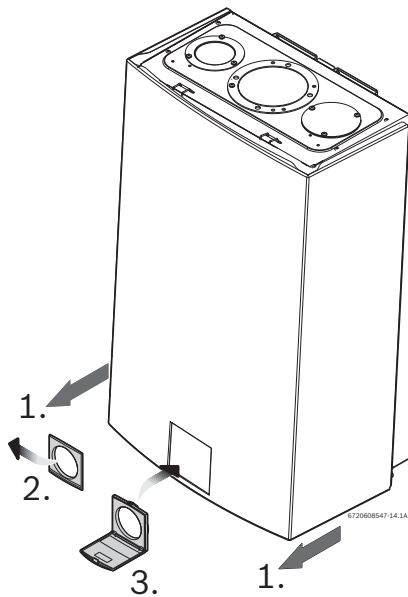


Fig. 3 Replace the control panel shield



Warning: The control panel shield must always remain closed, except when making adjustments, to prevent damage to heater from weather.

- ▶ After replacing the control panel re-position the front cover.

- ▶ **1.** Remove the cover plate (A) installed on the top of the appliance, as shown in Fig. 4.
- ▶ **2.** Attach the supports (B) to the appliance by fastening with the four provided screws, as shown in Fig. 4.

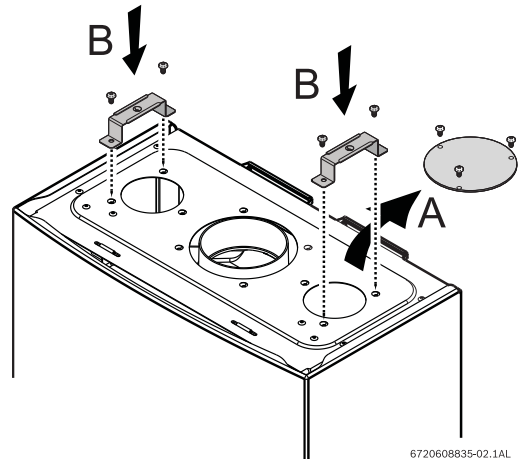


Fig. 4

Before mounting the outdoor kit in the appliance:

- ▶ **3.** Attach the gasket provided with the kit as shown in Fig. 5.

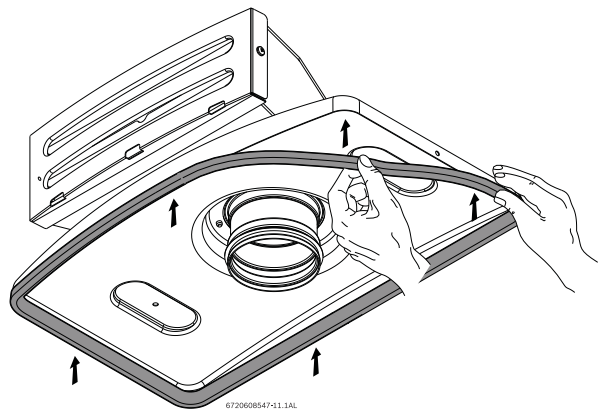


Fig. 5

- ▶ Position the outdoor vent cap on the top of the appliance, as shown in Fig. 6.

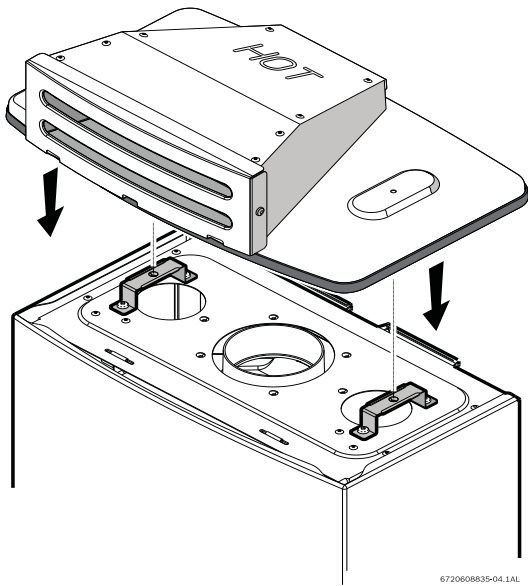


Fig. 6

- ▶ Attach the outdoor vent cap to the appliance by fastening the two provided screws and washers, see Fig. 7.

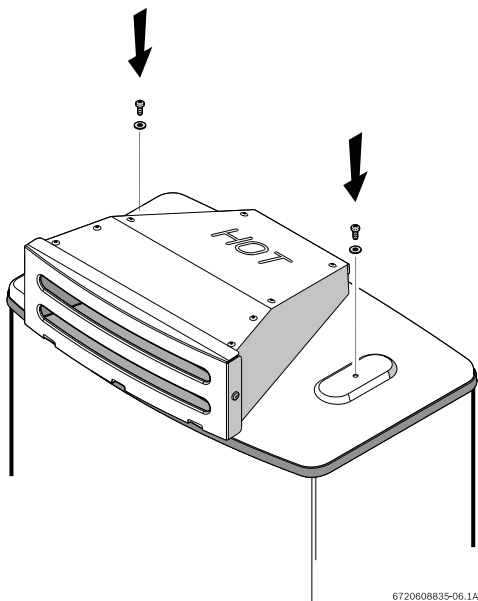


Fig. 7



NOTE: Once this kit is installed, the outdoor vent cap will need to be removed before removing the front cover.

4 Mounting instructions

- ▶ The water heater is approved for installation directly on an outside wall. Secure the wall mounting bracket provided with the water heater to a wall surface. See Fig. 8.
- ▶ The installation method of the mounting bracket will depend on the type of mounting surface. Due to the varieties of building siding or surfacing, the installer must decide on how best to support and level the heater on an outside wall. It is recommended that horizontal or vertical support boards or plywood sheathing (1/2" minimum) first be attached to the wall surface. The heater must also be kept level on the wall surface.

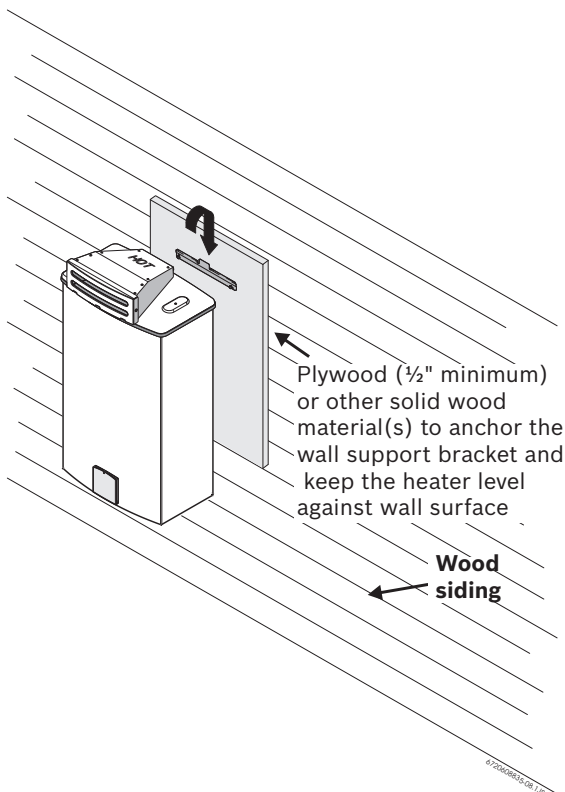


Fig. 8 Installation on wood siding

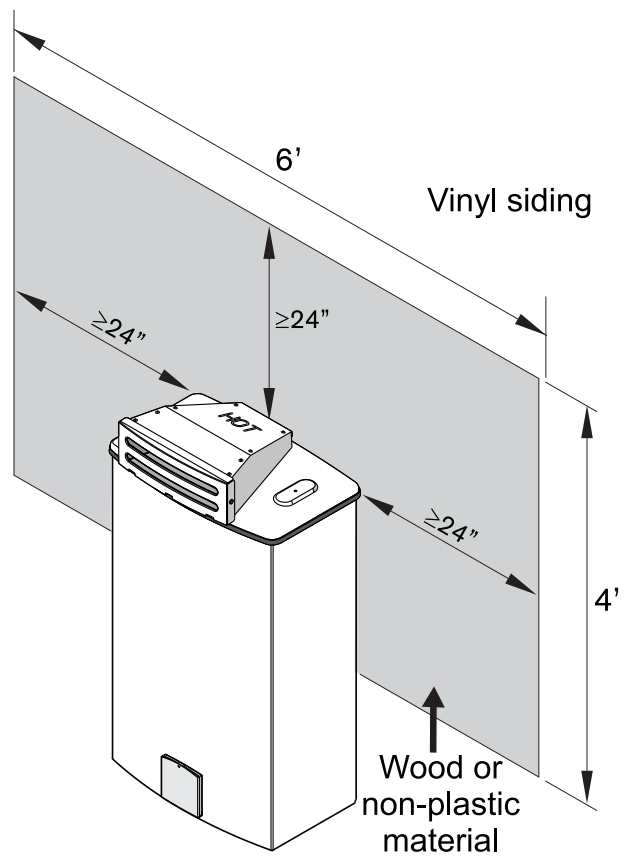


Fig. 9 Installation on vinyl siding



Warning: Do not mount heater directly to vinyl siding. With vinyl siding, a 6' x 4' area of the siding must first be removed and then replaced with wood or other non-plastic material. See Fig. 9.

5 Electrical connections

5.1 Electrical power supply



Warning: For safety reasons, disconnect the power supply cord to the heater before any service or testing is performed.



Warning: This heater must be electrically grounded in accordance with the most recent edition of the National Electrical Code, NFPA 70. In Canada, all electrical wiring to the heater should be in accordance with local codes and the Canadian Electrical Code, CSA C22.1 Part 1. Do not rely on the gas or water piping to ground the metal parts of the heater.

The water heater requires an electrical power supply from a 120VAC / 60Hz circuit (with a dedicated outlet) and must be properly grounded.

The heater is wired as shown in the wiring diagram of the water heater installation manual.

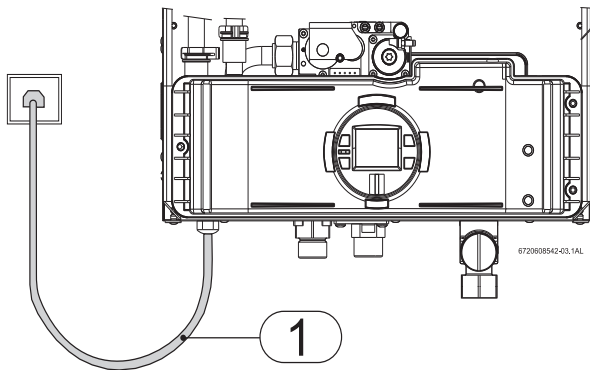


Fig. 10 Connecting power supply cord

1 Power cord length: 3ft.

Note: Outlet appliance is plugged in to should be clear from possible water damage.



Warning: Confirm that the water heater is appropriately grounded and that the installation meets all applicable electrical codes for outdoor installations.

- ▶ Refer to water installation manual to complete installation of gas and water piping connections.
- ▶ Start and operate the water heater according to the water heater installation manual. NOTE: Open the control panel shield to access the controls of the heater, see Fig. 3.

6 Measuring carbon dioxide (CO₂)

- ▶ See the water heater installation manual for details on measuring carbon dioxide (CO₂).



Warning: Outdoor vent cap will get very hot during operation.

- ▶ Ensure the vent cap is cool before performing the procedure below.
- ▶ To measure CO₂ on this appliance, a measuring port is available under the louvered grill on the front of the outdoor vent cap.
- ▶ To access measuring port, remove two screws on either side of the louvered grill.
- ▶ Pull louvered grill free from vent cap.
- ▶ When measuring is complete, replace louvered grill with screws.

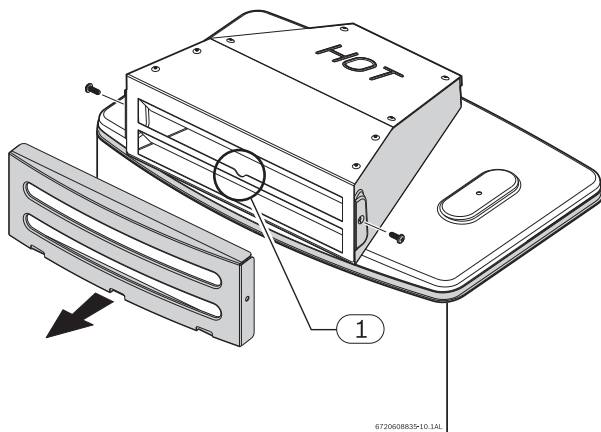


Fig. 11

- 1 Measuring port

7 Notes

Replacement Parts available from:

**BOSCH THERMOTECHNOLOGY
CORPORATION**

340 Mad River Park
Waitsfield, VT 05673
Tel. 800-642-3111
www.boschhotwater.com

Bosch Termotecnologia, S.A.
Estrada de Cacia
3801 - 856 Aveiro - PORTUGAL